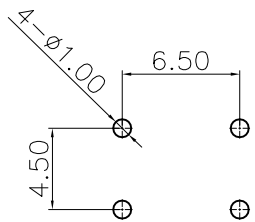
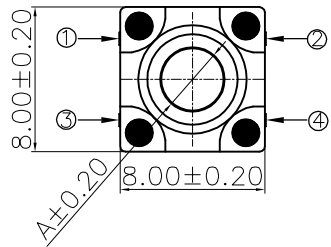
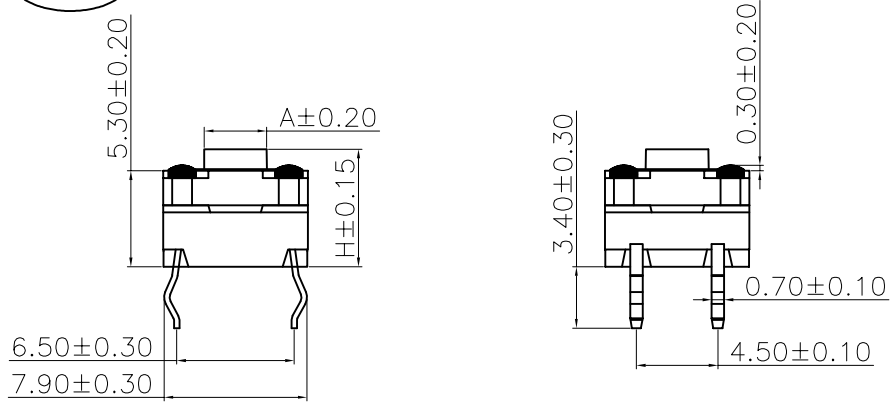
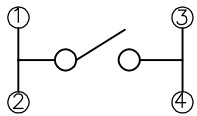


The product using material and processing must conform to the "WI-PZ-001"HSF technical standard control requirements

RoHS

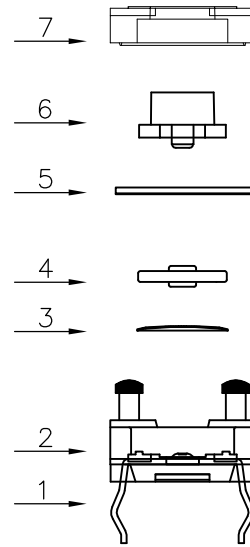


印刷电路板开孔



原理图

产品零部件剖析图



NOTE:

- MATERIAL SPECIFICATION:
 - 1-1.CONTACTS:BRASS T=0.3mm
 - 1-2.HOUSING:PPA COLOUR:BLACK
 - 1-3.SHRAPNEL:φ5 STAINLESS STEEL
 - 1-4.INNER CUSHION:PPA COLOUR:BLACK
 - 1-5.WATERPROOF COMPOSITE VINYL: POLYIMIDE COLOUR:BLACK AND YELLOW
 - 1-6.BUTTON: PPA COLOUR:BLACK
 - 1-7.COVER: PPA COLOUR:BLACK
- PLATING SPECIFICATION:
 - 2-1.CONTACT:AG PLATED ON CONTACT AREA
 - 2-2.SHRAPNEL:AG PLATED.
- ELECTRICAL PERFORMANCE:
 - 3-1.RATING CURRENT:50mA DC
 - 3-2.RATING VOLTAGE:12V DC
 - 3-3.CONTACT RESISTANCE: 100mΩ MAX;
 - 3-4.INSULATION RESISTANCE:100MΩ MIN
 - 3-5.WITHSTANDING VOLTAGE: AC 250V/50HZ,1MIN
- MECHANICAL PERFORMANCE:
 - 4-1.DURABILITY: 100000 CYCLES.
 - 4-2.WATERPROOF:IP67
- OPERATION TEMPERATURE RANGE:-20°C~+85°C
- P/N: WLSW10-04 1 8 A X 061

PLATED: 8.AG
COLOUR: A.BLACK
A.H=6.5mm
B.H=7.0mm
C.H=7.5mm
D.H=8.0mm
E.H=8.5mm
F.H=9.0mm
G.H=9.5mm
H.H=10.0mm
I.H=10.5mm

H 产品尺寸/mm	A 接触臂尺寸/mm
6.5	3.45
7.0	3.35
7.5	3.2
8.0	3.15
8.5	3.3
9.0	3.1
9.5	3.1
10.0	3.0
10.5	3.0

N (按力值gf)			
160	250	350

REV.	REVISION RECORD	DATE	UNIT:mm	GENERAL TOLERANCES		SCALE: 1:1	NAME	DATE	PART.NO: WLSW10-0418AX061	DWG.NO: ENDE05	 WanLian Teconology Co., Ltd
A0	NEW RELEASE	21.01.13		LINEAR	ANGLES	APPROVED	Wang_jr	21.01.13			
			0.00±0.25	X'±3'	DESIGNER	Han_Gao	21.01.13		TITLE: TACT SWITCH		REV: A0 SHEET: 1/1
			0.00±0.10	X'X' ±2'	DRAWN	Zijun_Huang	21.01.13				