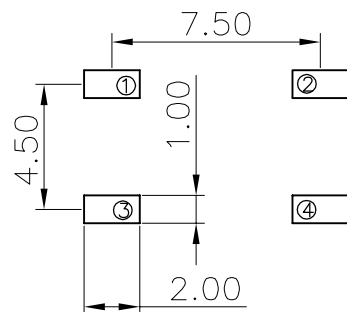
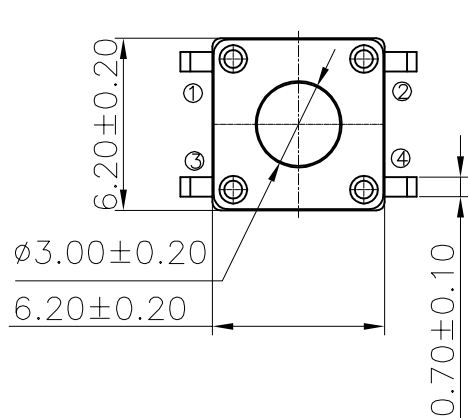
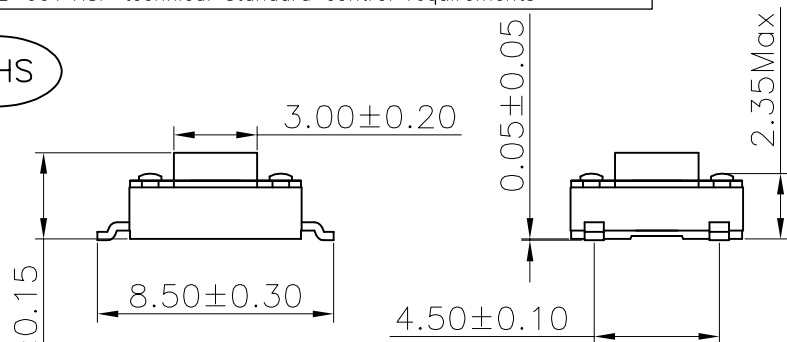
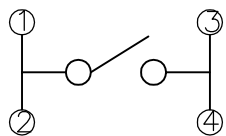


The product using material and processing must conform to the "WI-PZ-001"HSF technical standard control requirements

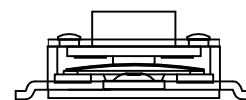
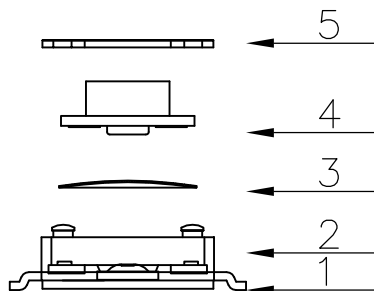
RoHS



印刷线路板开孔



原理图



产品零部件剖析图

NOTE:

- 1.MATERIAL SPECIFICATION:
 - 1-1.CONTACTS:BRASS T=0.3mm
 - 1-2.HOUSING:PPA COLOUR:BLACK
 - 1-3.SHRAPNEL:φ5 STAINLESS STEEL
 - 1-4.BUTTON: PPA COLOUR:RED
 - 1-5.COVER: BRASS T=0.25mm
- 2.PLATING SPECIFICATION:
 - 2-1.CONTACT:AG PLATING ON CONTACT AREA
 - 2-2.SHRAPNEL:AG PLATING.
 - 2-3.COVER:SN PLATING.
- 3.ELECTRICAL PERFORMANCE:
 - 3-1.RATING CURRENT:50mA DC
 - 3-2.RATING VOLTAGE:12V DC
 - 3-3.CONTACT RESISTANCE: 100mΩ MAX;
 - 3-4.INSULATION RESISTANCE:100MΩ MIN
 - 3-5.WITHSTANDING VOLTAGE: AC 250V/50HZ,1MIN
- 4.MECHANICAL PERFORMANCE:
 - 4-1.DURABILITY: 100000 CYCLES.
- 5.OPERATION TEMPERATURE RANGE:-20°C~+85°C
- 6.PACKAGE SPEC: REEL
- 7.P/N: WLSW10-04 2 8 A X 050

PLATED: 8.AG
 COLOUR: A.BLACK
 A.H=3.10mm
 B.H=3.40mm
 C.H=4.00mm
 D.H=4.30mm
 E.H=5.00mm

N (按力值gf)

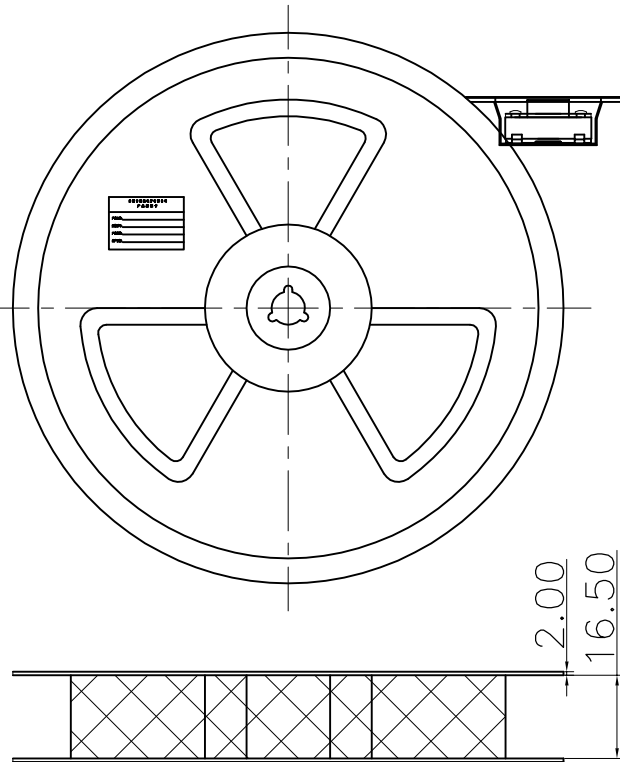
100 160 250 350

REV.	REVISION RECORD	DATE		GENERAL TOLERANCES		SCALE: 1:1	NAME	DATE	PART.NO: WLSW10-0428AX050	DWG.NO: ENDE05	
A0	NEW RELEASE	21.01.13		LINEAR	ANGLES	APPROVED	Wang_jr	21.01.13			
			UNIT:mm	0.00±0.25	X°±3'	DESIGNER	Han_Gao	21.01.13	TITLE: TACT SWITCH		REV: A0 SHEET: 1/2
			SIZE: A4	0.000±0.10	X°X' ±2'	DRAWN	Zijun_Huang	21.01.13			

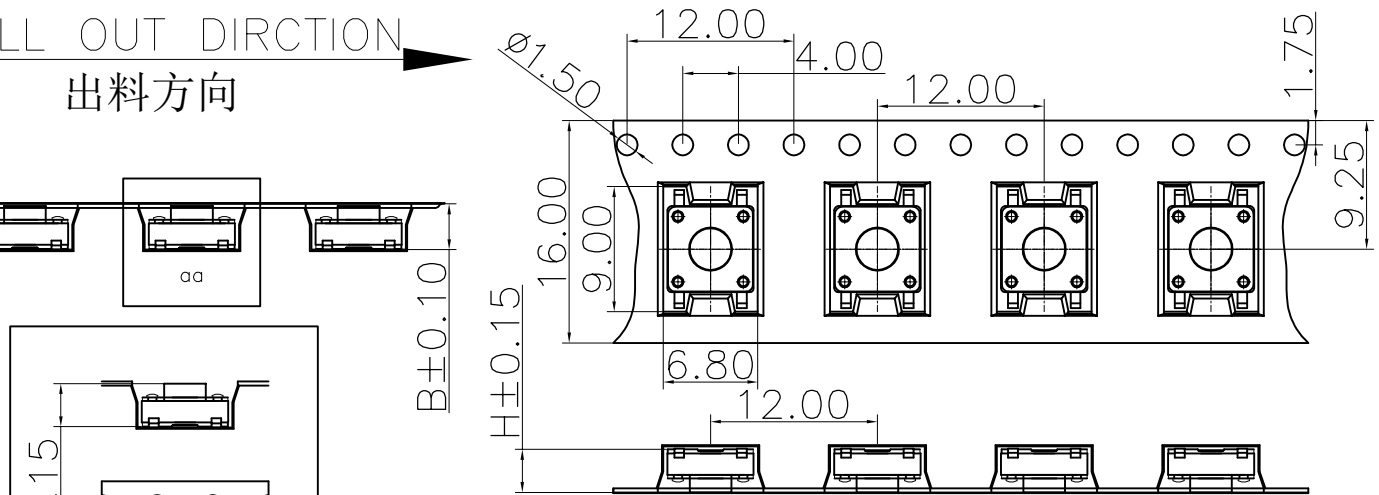
The product using material and processing must conform to the "WI-PZ-001"HSF technical standard control requirements

RoHS

PULL OUT DIRCTION
出料方向



卷盘



技术要求:

1. 本产品不含环境危险物质, 适用于RoHS指令2011/65/EU要求。
2. 吸塑盒: 用长9mm, 宽6.8mm, 编带定位孔间距为 4 ± 0.05 mm。
3. 编带封塑时, 一定要注意其封塑牢固度, 无因封带开裂而导致产品脱落等不良现象。
4. 卷盘起始段要预留5到10PCS的空槽, 防止因卷盘内圆过小导致产品焊脚损坏; 卷盘末端预留一外圈的空槽或隔离封塑带, 防止卷盘在运输过程中的意外碰撞因素而导致产品的损坏; 一卷盘按产品高度尺寸规范要求数量进行编带。

部件规格表

序号	部件名称	部件材料	部件用量	其它
1	卡件	0.3黄铜	1PCS	镀银白色
2	基座	PPA	1PCS	黑色
3	弹片	Φ5进口不锈钢覆银	1PCS	镀银白色
4	按钮	PPA	1PCS	红色
5	盖板	0.25黄铜	1PCS	镀锡
6				

H (产品总高/mm)	B (料带筒深mm)
3.1	3.3
3.4	3.7
4.0	5.2
4.3	5.2
5.0	5.2
.....
N (按力值gf)	
100	160
250	350
.....

REV.	REVISION RECORD	DATE	GENERAL TOLERANCES	SCALE:	NAME	DATE	PART.NO:	DWG.NO:	 WanLian Teconology Co., Ltd
A0	NEW RELEASE	21.01.13	LINEAR	1:1	Wang_jr	21.01.13	WSW10-0428AX050	ENDE05	
			0.0±0.35	APPROVED	Han_Gao	21.01.13	TITLE:	REV: A0	
			0.00±0.25	DESIGNER	Zijun_Huang	21.01.13	TACT SWITCH PACKAGE DRAWING	SHEET: 2/2	



REV: A0 SHEET: 2/2