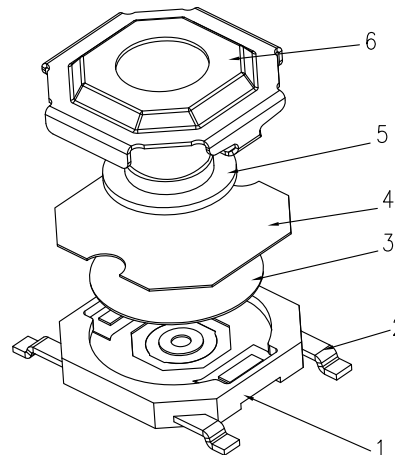
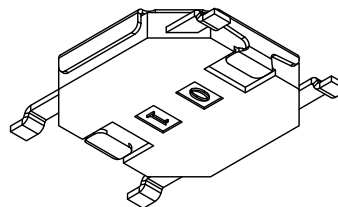
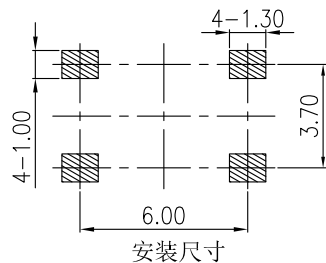
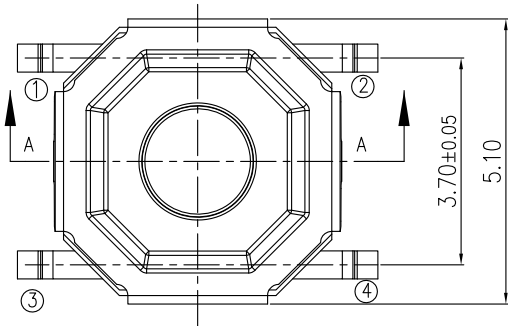


The product using material and processing must conform to the "WI-PZ-001"HSF technical standard control requirements

RoHS



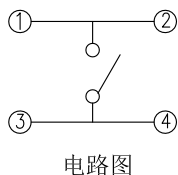
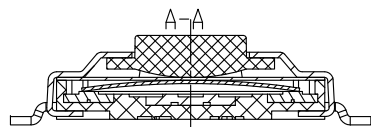
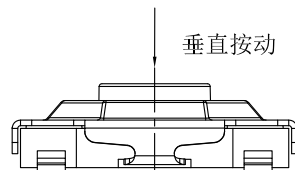
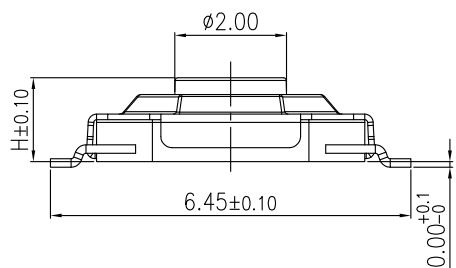
分解视图

NOTE:

- 1.MATERIAL SPECIFICATION:
 - 1-1.HOUSING:PA6T BLACK
 - 1-2.CONTACTS:PHOSPHOR COPPER
 - 1-3.SHRAPNEL:SUS301
 - 1-4.YELLOW FILM:POLYAMIDE FILM
 - 1-5.BUTTON:BRASS/PA6T
 - 1-6.COVER PLATE:SUS304
- 2.MECHANICAL PERFORMANCE:
 - 3-1.PRESS FORCE: 260±50g
 - 3-2.DURABILITY: 100000 CYCLES.
- 3.ELECTRICAL PERFORMANCE:
 - 4-1.CURRENT RATING:50mA
 - 4-2.VOLTAGE RATING:12V
 - 4-3.CONTACT RESISTANCE: 100mΩ MAX.
 - 4-4.INSULATION RESISTANCE: 100MΩ MIN
 - 4-5.DIELECTRIC WITHSTANDING VOLTAGE: 250V AC MIN.
- 4.ENVIRONMENTAL PERFORMANCE:
 - OPERATING TEMPERATURE: -20°C~+70°C.
- 6.P/N ORDER:

WLSW10-0428 X X 028

COLOUR: A:BLACK
 A:H=1.5mm
 B:H=1.6mm
 C:H=1.7mm
 D:H=1.8mm
 E:H=2.0mm
 F:H=2.5mm
 G:H=3.0mm
 H:H=3.5mm



电路图

6	盖子	1	原色
5	按钮	1	原色
4	黄膜	1	黄色
3	弹片	1	覆银
2	端子	1	镀银
1	基座	1	黑色
序号	部件名称	数量	备注

H	1.5	1.6	1.7	1.8	2.0	2.5	3.0	3.5
---	-----	-----	-----	-----	-----	-----	-----	-----

REV.	REVISION RECORD	DATE		GENERAL TOLERANCES		SCALE: 1:1	NAME	DATE	PART.NO: WLSW10-0428XX028	DWG.NO: ENDE05	
AO	NEW RELEASE	21.01.13		LINEAR	ANGLES	APPROVED	Wang_jr	21.01.13			
				0.0±0.35	X*REF±6°	DESIGNER	Han_Gao	21.01.13	TITLE: 4*4 LIGHT TOUCH SWITCH		
				0.00±0.25	X°±3°	DRAWN	Zijun_Huang	21.01.13			
			UNIT:mm	0.00±0.10	X°X'±2°				REV: A0	SHEET: 1/1	

WanLian Teconology Co., Ltd