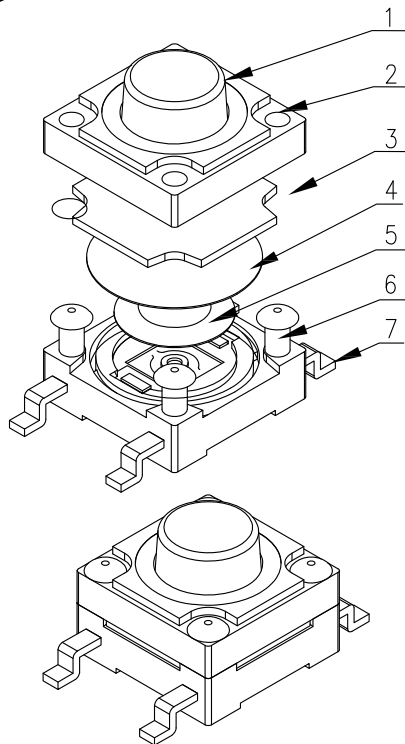
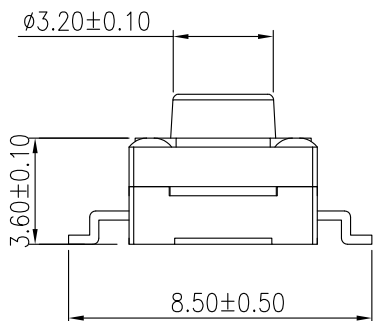
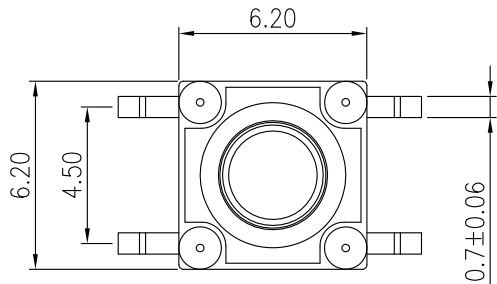
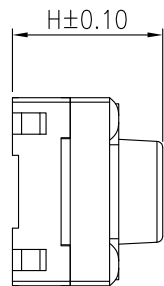


The product using material and processing must conform to the "WI-PZ-001"HSF technical standard control requirements



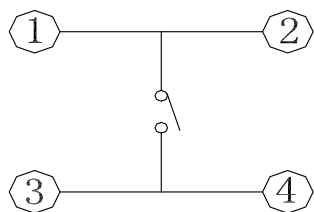
NOTE:

- 1.MATERIAL SPECIFICATION:
 - 1-1.BUTTON: PA6T
 - 1-2.COVER PLATE: PA6T
 - 1-3.WATERPROOF PAD: SILICONE
 - 1-4.WATERPROOF MEMBRANE: POLYAMIDE FILM
 - 1-5.SHRAPNEL: STAINLESS STEEL
 - 1-6.HOUSING: PA6T BLCBK
 - 1-7.CONTACTS: PHOSPHOR COPPER
- 2.MECHANICAL PERFORMANCE:
 - 3-1.PRESS FORCE: 260±50g
 - 3-2.DURABILITY: 100000 CYCLES.
- 3.ELECTRICAL PERFORMANCE:
 - 3-1.CURRENT RATING:50mA
 - 3-2.VOLTAGE RATING:12V
 - 3-3.CONTACT RESISTANCE: 100mΩ MAX.
 - 3-4.INSULATION RESISTANCE: 100MΩ MIN
 - 3-5.DIELECTRIC WITHSTANDING VOLTAGE: 250V AC MIN.
- 4.ENVIRONMENTAL PERFORMANCE:
 - OPERATING TEMPERATURE: -20°C~+70°C.
- 5.WATERPROOF LEVEL: IP67
- 6.P/N ORDER:

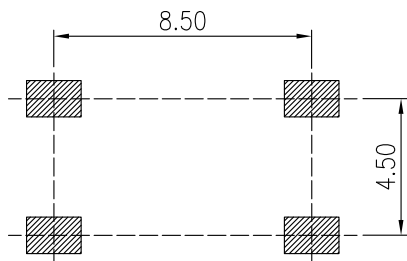
WLSW10-0428 X X 034

COLOUR:
A:BLACK

- A:H=4.3mm
- B:H=5.0mm
- C:H=5.5mm
- D:H=6.0mm
- E:H=6.5mm
- F:H=7.0mm
- G:H=7.5mm
- H:H=8.5mm
- J:H=9.0mm
- K:H=9.5mm
- L:H=10.0mm
- M:H=10.5mm
- N:H=11.0mm
- P:H=11.5mm
- Q:H=12.0mm



电路图
Circuit diagram



印刷板安装孔图
P.C.B Mounting pattern dimension

NO.	名称 PART NAME	表面状态 FINISHING	数量 QTY.	备注 REMARK
7	端子	镀银	1	
6	基座	黑色	1	
5	弹片	覆银	1	
4	防水膜	黄色	1	
3	防水叠	本色	1	
2	盖子	黑色	1	
1	按钮	黑色	1	

REV.	REVISION RECORD	DATE	GENERAL TOLERANCES		SCALE:	NAME	DATE	PART.NO:	DWG.NO:	
AO	NEW RELEASE	21.01.13	LINEAR	ANGLES	1:1	Wang_jr	21.01.13	WLSW10-0428XX034	ENDE05	
			0.0±0.35	X°REF±6°	APPROVED	Han_Gao	21.01.13	TITLE: LIGHT TOUCH WATERPROOF SWITCH 6*6 SMT 260gf	REV: A0	SHEET: 1/1
			0.00±0.25	X'±3'	DESIGNER	Zijun_Huang	21.01.13			
			0.000±0.10	X'X' ±2'	DRAWN					

WanLian Teconology Co., Ltd