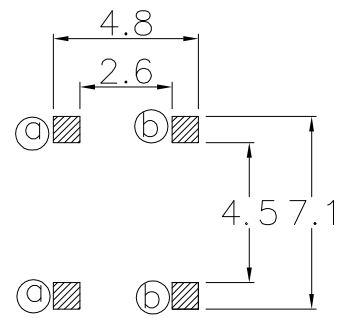
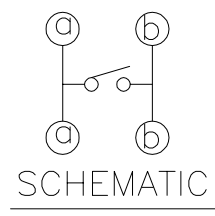
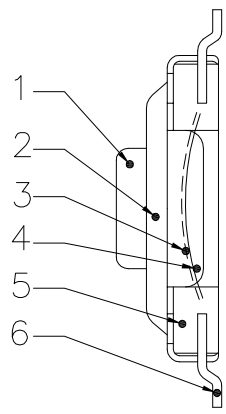
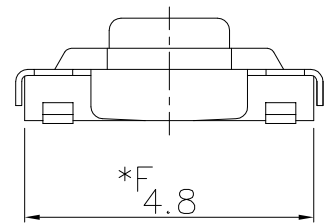
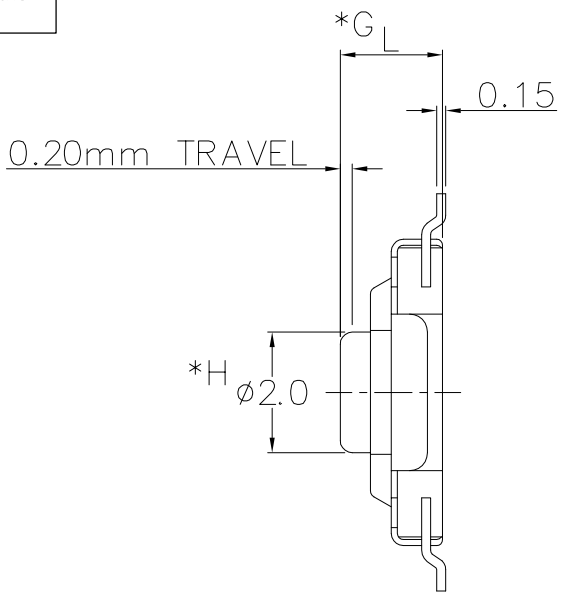
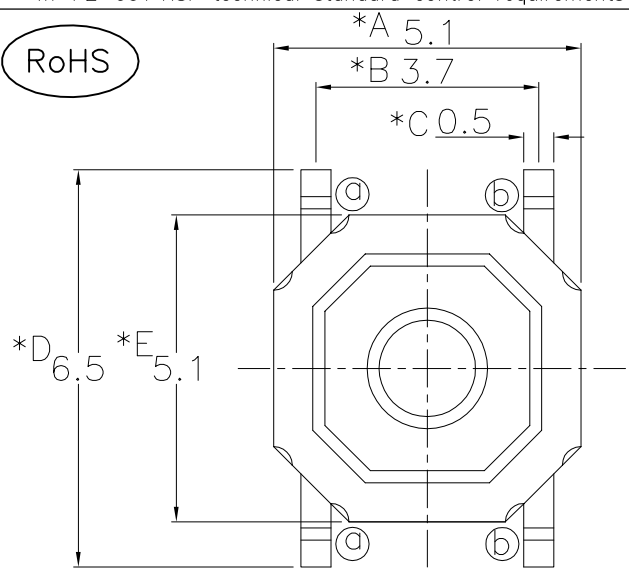


The product using material and processing must conform to the "WI-PZ-001"HSF technical standard control requirements

RoHS




6	TERMINAL	PBS STRIP	4	Ag COATING
5	CASE	LCP	1	BLACK
4	CONTACT	SUS	1	Ag CLAD
3	SCREEN	PE	1	YELLOW
2	COVER	SUS	1	NATURAL
1	STEM	BRASS / PA46	1	NATURAL/WHITE
NO.	PART NAME	MATERIAL	QTY	FINISHING

PART ORDER:
WLSW10-04 2 X X 0 007

PLATING: 8-Ag COLOUR: A-Black

(STEM) X=	<input type="checkbox"/> A	GLUE
	<input checked="" type="checkbox"/> B	COPPER
(height) L=	<input checked="" type="checkbox"/> A	1.5 mm
	<input type="checkbox"/> B	1.6 mm
	<input type="checkbox"/> C	1.7 mm
	<input type="checkbox"/> D	1.8 mm
	<input type="checkbox"/> E	2.0 mm
(force) F=	<input type="checkbox"/> 0	100 gf
	<input type="checkbox"/> 1	130 gf
	<input type="checkbox"/> 2	160gf/180gf
	<input checked="" type="checkbox"/> 3	250 gf

* CRITICAL DIMENSION

REV.	REVISION RECORD	DATE	UNIT:mm	GENERAL TOLERANCES		SCALE:	NAME	DATE	PART.NO:	DWG.NO:	
A0	NEW RELEASE	21.11.17		LINEAR	ANGLES	1:1	Wang_jr	21.11.17	WLSW10-042XX007	ENDE05	
			0.00±0.25	X'±3'	APPROVED	Han_Gao	21.11.17	TITLE:			REV: A0
			0.000±0.10	X'X' ±2'	DESIGNER	Zijun_Huang	21.11.17	TACT SWITCH			SHEET: 1/1