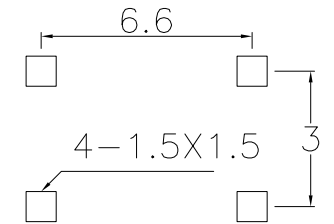
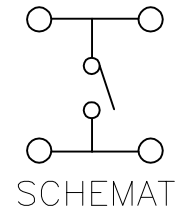
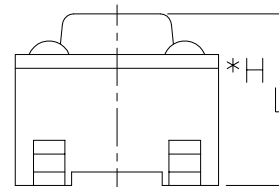
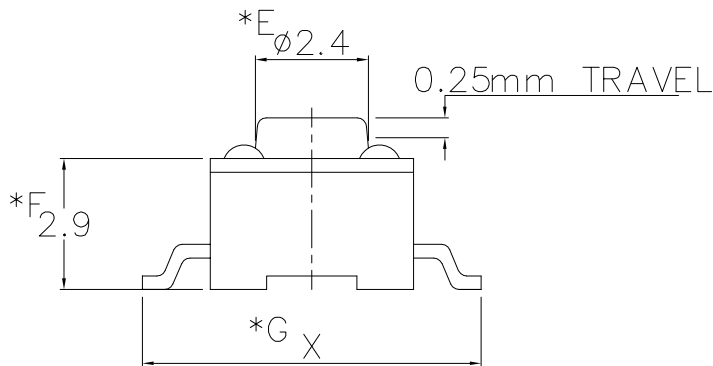
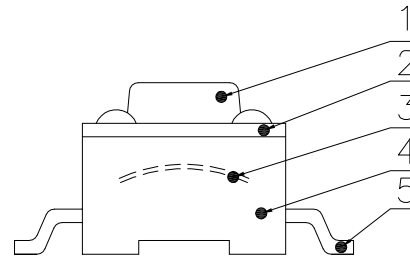
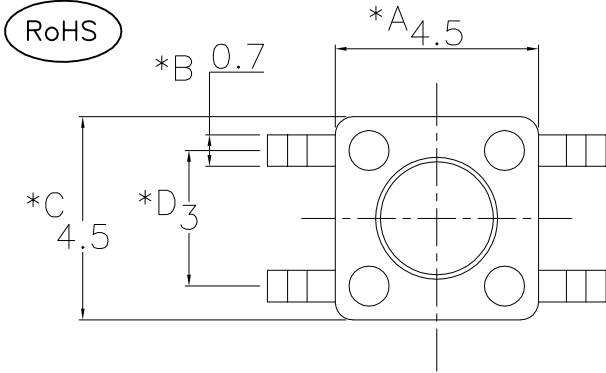


The product using material and processing must conform to the "WI-PZ-001"HSF technical standard control requirements



(height) L=	<input checked="" type="checkbox"/> B	3.8mm
	<input type="checkbox"/> 5	5.0mm
	<input type="checkbox"/> C	7.0mm

(force) F=	<input type="checkbox"/> L	130 gf
	<input type="checkbox"/> S	180 gf
	<input checked="" type="checkbox"/> H	250 gf

(Distance)X=	<input type="checkbox"/> 1	6.5mm
	<input checked="" type="checkbox"/> 2	7.5mm

PART ORDER:  
WLSW10-04 2 X X 0 009

PLATING: 8-Ag      COLOUR:  
A:Black  
K:White

5	TERMINAL	BRASS	4	Ag COATING
4	CASE	PA6T	1	BLACK
3	CONTACT	SUS	1	Ag CLAD
2	COVER	PET	1	WHITE
1	STEM	PA66	1	BLACK
NO.	PART NAME	MATERIAL	QTY	FINISHING

\* CRITICAL DIMENSION

REV.	REVISION RECORD	DATE		GENERAL TOLERANCES		SCALE: 1:1	NAME	DATE	PART.NO:	DWG.NO:	
A0	NEW RELEASE	21.01.13		LINEAR	ANGLES	APPROVED	Wang_jr	21.01.13	WLSW10-042XX0009	ENDE05	
			UNIT:mm	0.00±0.25	X'±3'	DESIGNER	Ding_bo	21.01.13	TITLE:		REV: A0 SHEET: 1/1
			SIZE: A4	0.000±0.10	X'X' ±2'	DRAWN	Ou_jian	21.01.13	TACT SWITCH		