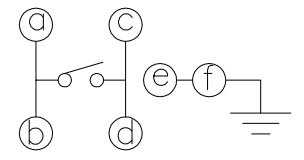
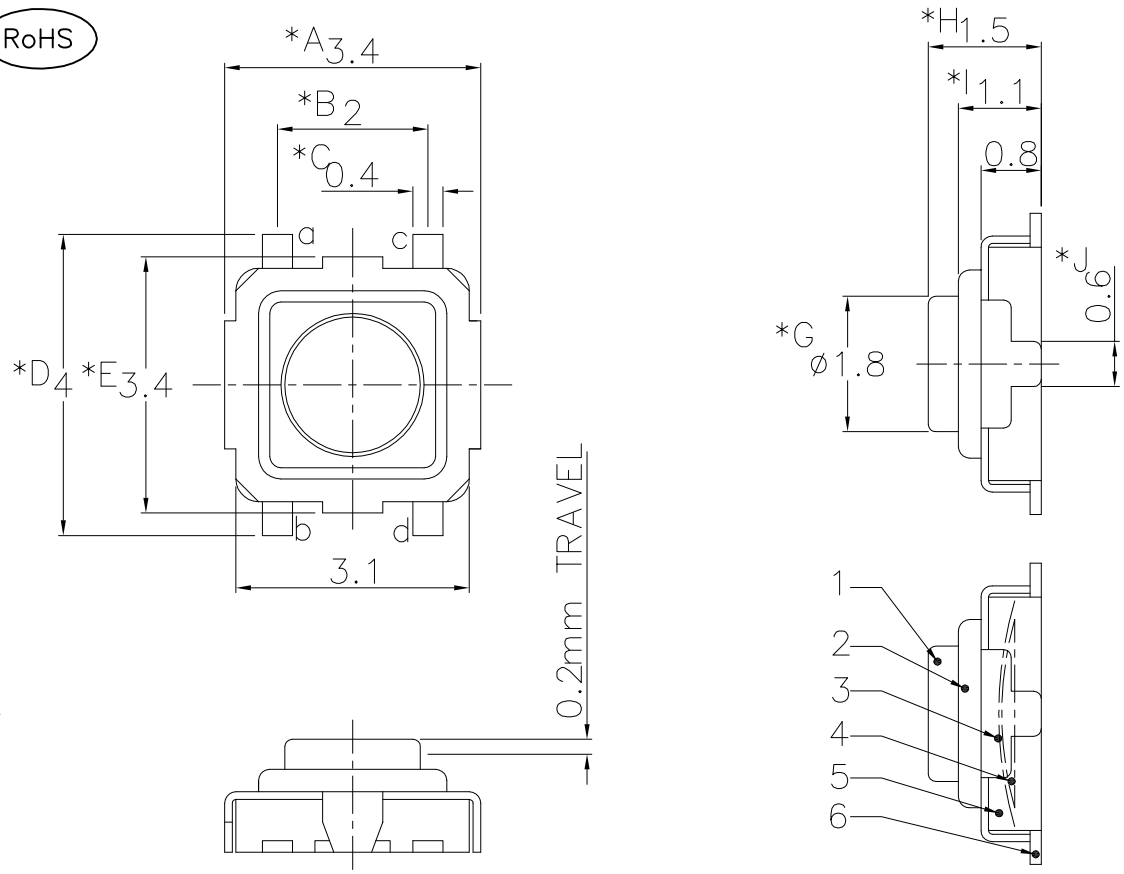
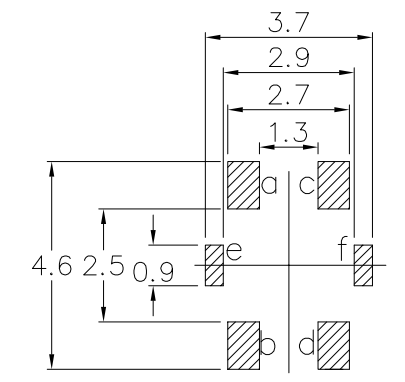


The product using material and processing must conform to the "WI-PZ-001" HSF technical standard control requirements

RoHS



SCHEMATIC



P.C.B.LAYOUT

(height) L=	■ A	1.5 mm
	□ B	1.6 mm
	□ C	1.7 mm
(force)	□ 1	100 gf
	■ 2	160gf/180gf
	□ 3	250 gf

PART ORDER:
WLSW10-04 2 X X 0 012

PLATING: 8-Ag COLOUR: A:Black K:White

6	TERMINAL	PBS STRIP	4	Ag COATING
5	CASE	LCP	1	BLACK
4	CONTACT	SUS	1	Ag CLAD
3	SCREEN	PE	1	YELLOW
2	COVER	SUS	1	NATURAL
1	STEM	LCP	1	BLACK & WHITE
NO.	PART NAME	MATERIAL	QTY	FINISHING

CASE COLOR	■ B	BLACK
	□ W	WHITE
STEM COLOR	■ B	BLACK
	□ W	WHITE

* CRITICAL DIMENSION

REV.	REVISION RECORD	DATE		GENERAL TOLERANCES		SCALE: 1:1	NAME	DATE	PART.NO:	DWG.NO:	
A0	NEW RELEASE	21.01.13		LINEAR	ANGLES	APPROVED	Wang_jr	21.01.13	WLSW10-042XX0012	ENDE05	
			UNIT:mm	0.00±0.25	X'±3'	DESIGNER	Ding_bo	21.01.13	TITLE:		
			SIZE: A4	0.000±0.10	X'X' ±2'	DRAWN	Ou_jian	21.01.13	TACT SWITCH		REV: A0 SHEET: 1/1