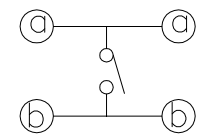
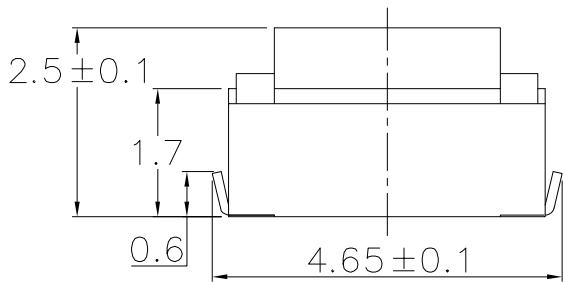
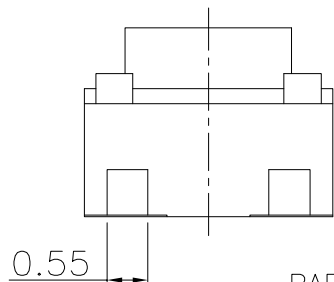
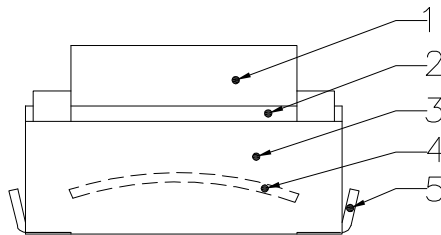
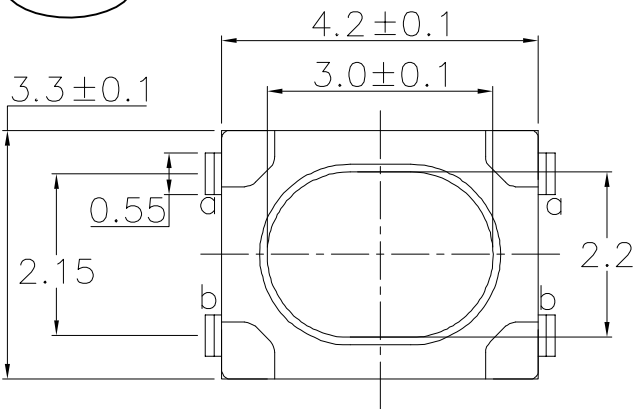
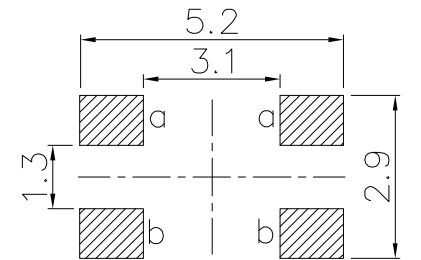


The product using material and processing must conform to the "WI-PZ-001"HSF technical standard control requirements

RoHS



SCHEMATIC



P.C.B.LAYOUT

(height)L=	<input type="checkbox"/> B	2.5mm
	<input type="checkbox"/> S	
(force) F=	<input type="checkbox"/> H	160/180 gf
	<input type="checkbox"/> G	250 gf
	<input checked="" type="checkbox"/> G	400 gf
STEM COLOR	<input type="checkbox"/>	WHITE
	<input type="checkbox"/>	BLACK
	<input type="checkbox"/>	BLUE
	<input type="checkbox"/>	GREY

PART ORDER:
WLSW10-04 2 X X 0 016

PLATING: 8-Ag COLOUR:
A:Black
K:White
G:BLUE
J:GREY

NO.	PART NAME	MATERIAL	QTY	FINISHING
5	TERMINAL	PBS STRIP	2	Ag COATING
4	CONTACT	SUS	1	Ag CLAD
3	CASE	LCP	1	BLACK & WHITE
2	COVER	SUS	1	NATURAL
1	STEM	PPA/SILICAGEL	1	BK & WE & BE

* CRITICAL DIMENSION

REV.	REVISION RECORD	DATE	GENERAL TOLERANCES	SCALE:	NAME	DATE	PART.NO:	DWG.NO:
A0	NEW RELEASE	21.01.13	LINEAR 0.0±0.35	1:1	Wang_jr	21.01.13	WLSW10-042XX0016	ENDE05
			ANGLES X'REF±6'	APPROVED	Ding_bo	21.01.13		
			UNIT:mm 0.00±0.25	DESIGNER	Ou_jian	21.01.13	TITLE: TACT SWITCH	
			SIZE: A4 0.000±0.10	DRAWN				



REV: A0 SHEET: 1/1