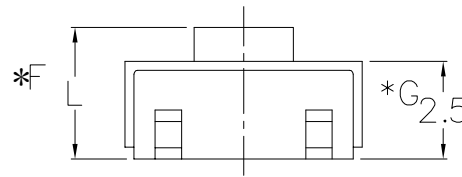
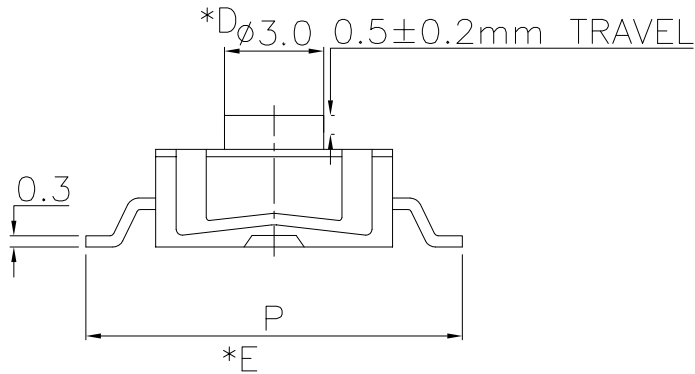
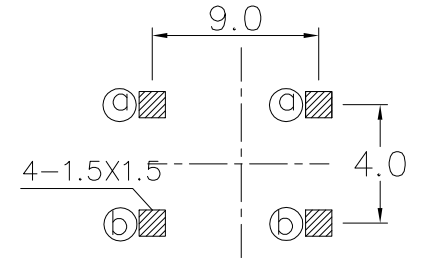
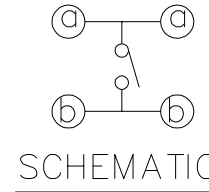
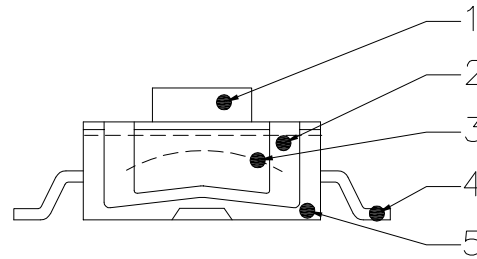
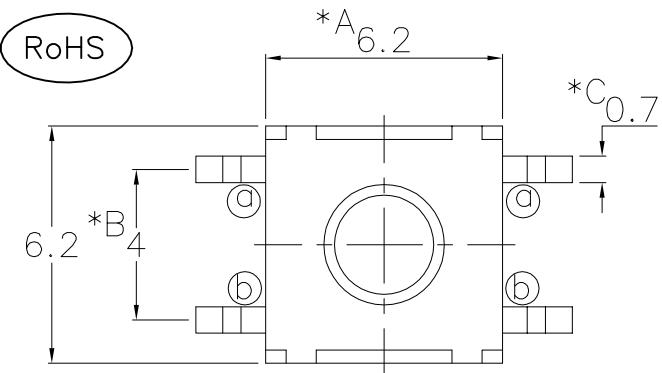


The product using material and processing must conform to the "WI-PZ-001"HSF technical standard control requirements



| | | |
|---------------|---------------------------------------|--------|
| (height) L= | <input type="checkbox"/> 1 | 2.5 mm |
| | <input type="checkbox"/> 2 | 3.5 mm |
| | <input type="checkbox"/> 3 | 5.2 mm |
| | <input checked="" type="checkbox"/> 4 | 4.3 mm |
| (terminal) P= | <input type="checkbox"/> A | 9.0mm |
| | <input checked="" type="checkbox"/> B | 10.0mm |
| (force) F= | <input type="checkbox"/> 1 | 130 gf |
| | <input type="checkbox"/> 2 | 180 gf |
| | <input checked="" type="checkbox"/> 3 | 250 gf |

PART ORDER:
WLSW10-04 2 X X 0 017

PLATING: 8-Ag COLOUR:
A:Black
G:BLUE

| | |
|------------|--------------------------------|
| STEM COLOR | <input type="checkbox"/> BLUE |
| | <input type="checkbox"/> BLACK |

* CRITICAL DIMENSION

| 5 | CASE | PA6T | 1 | BLACK |
|-----|-----------|-----------|-----|------------|
| 4 | TERMINAL | BRASS | 4 | Ag COATING |
| 3 | CONTACT | C5210R-EH | 1 | Ag CLAD |
| 2 | COVER | SUS | 1 | NATURAL |
| 1 | STEM | RUBBER | 1 | ABOVE |
| NO. | PART NAME | MATERIAL | QTY | FINISHING |

| REV. | REVISION RECORD | DATE | UNIT:mm | GENERAL TOLERANCES | | SCALE: 1:1 | NAME | DATE | PART.NO: | DWG.NO: | |
|------|-----------------|----------|------------|--------------------|----------|------------|----------|-------------|------------------|---------|------------|
| A0 | NEW RELEASE | 21.01.13 | | LINEAR | ANGLES | APPROVED | Wang_jr | 21.01.13 | WLSW10-042XX0017 | ENDE05 | |
| | | | 0.00±0.25 | X'±3' | DESIGNER | Ding_bo | 21.01.13 | TITLE: | | | |
| | | | 0.000±0.10 | X'X' ±2' | DRAWN | Ou_jian | 21.01.13 | TACT SWITCH | | | |
| | | | SIZE: A4 | | | | | | | REV: A0 | SHEET: 1/1 |

WanLian Teconology Co., Ltd