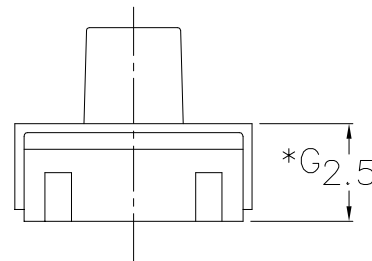
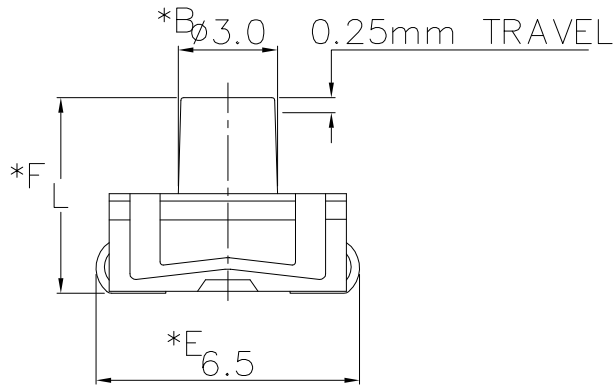
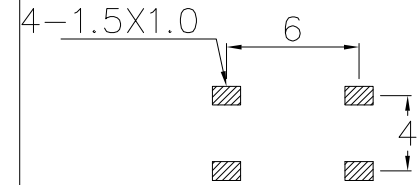
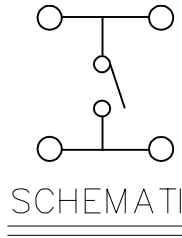
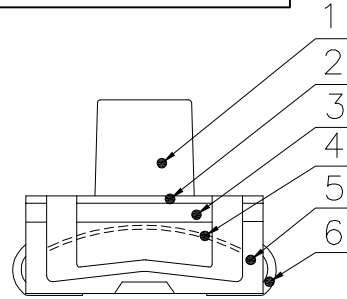
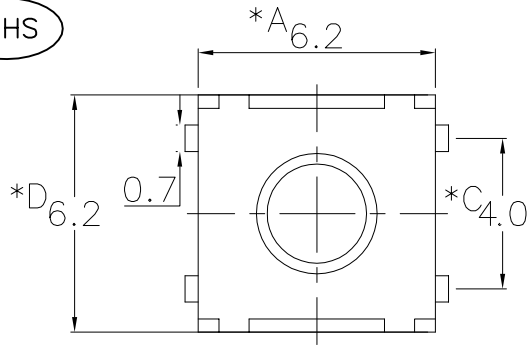


The product using material and processing must conform to the "WI-PZ-001"HSF technical standard control requirements

RoHS



(height)L=	<input type="checkbox"/> U1	2.5 mm
	<input checked="" type="checkbox"/> U2	3.5 mm
	<input type="checkbox"/> U3	5.1 mm

(force) F=	<input type="checkbox"/> I	100 gf
	<input type="checkbox"/> L	130 gf
	<input type="checkbox"/> S	160 gf
	<input checked="" type="checkbox"/> H	250 gf
	<input type="checkbox"/> F	180 gf

6	TERMINAL	BRASS	4	Ag COATING
5	CASE	PPA	1	BLACK
4	CONTACT	C5210R-EH \ SUS	1	Ag CLAD
3	SEAL PLATE	RUBBER	1	BLACK
2	COVER	SUS	1	NATURAL
1	STEM	RUBBER	1	BLACK / BLUE
NO.	PART NAME	MATERIAL	QTY	FINISHING

PART ORDER:
WLSW10-04 2 X X 0 023

PLATING: 8-Ag COLOUR:
A:Black
K:White

* CRITICAL DIMENSION

REV.	REVISION RECORD	DATE	☉	GENERAL TOLERANCES		SCALE:	NAME	DATE	PART.NO:	DWG.NO:	
A0	NEW RELEASE	21.01.13		LINEAR	ANGLES	1:1					
			UNIT:mm	0.00±0.25	X'±3'	DESIGNER	Ding_bo	21.01.13	TITLE: TACT SWITCH		
			SIZE: A4	0.000±0.10	X'X' ±2'	DRAWN	Ou_jian	21.01.13			

WanLian Teconology Co., Ltd