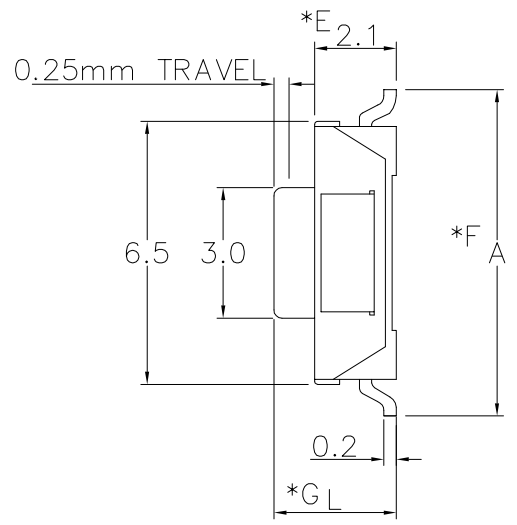
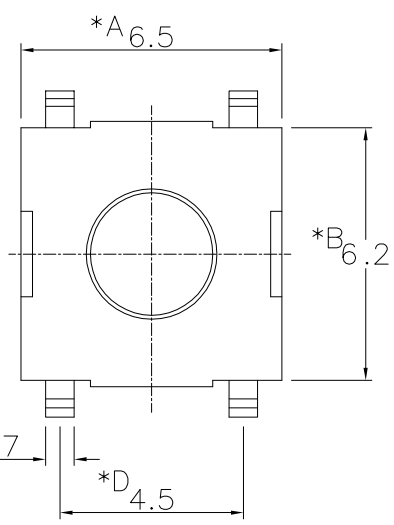
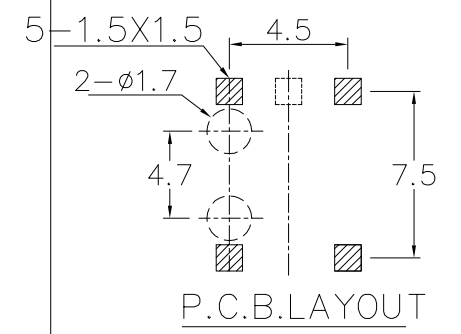
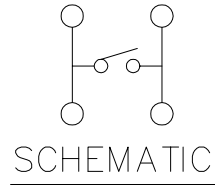
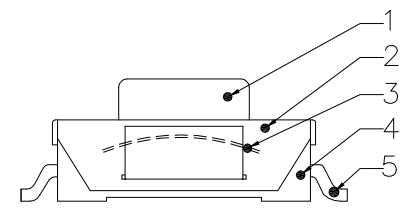
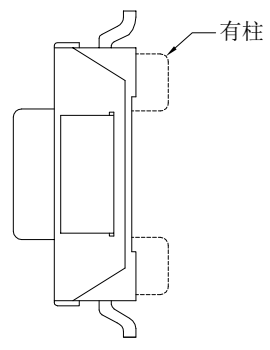
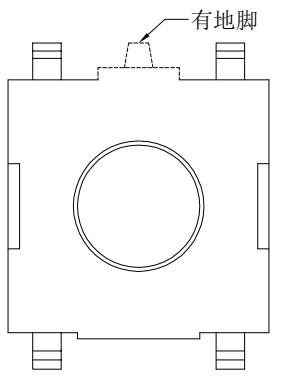


The product using material and processing must conform to the "WI-PZ-001" HSF technical standard control requirements

RoHS



(terminal) A=	■ A	8.5mm
	□ B	10.0mm
	□ S	2.5 mm
(height) L=	■ H	3.1 mm
	□ G	3.5 mm
	□ E	3.8 mm
(column) N=	■ N	(NO)无柱
	□ E	(YES)有柱
(ground) D=	■ D	无地脚
	□ P	有地脚
	□ 0	100 gf
	□ 1	130 gf
	□ 2	160 gf
	■ 3	250 gf

PART ORDER:  
WLSW10-04 2 X X 0 025

PLATING: 8-Ag COLOUR: A:Black K:White

\* CRITICAL DIMENSION

5	TERMINAL	PBS STRIP	4	Ag COATING
4	CASE	PA6T	1	BLACK
3	CONTACT	C5210R-EH & SUS	1	Ag CLAD
2	COVER	SUS	1	NATURAL
1	STEM	PA6T	1	ABOVE
NO.	PART NAME	MATERIAL	QTY	FINISHING

REV.	REVISION RECORD	DATE		GENERAL TOLERANCES		SCALE: 1:1	NAME	DATE	PART.NO:	DWG.NO:	
A0	NEW RELEASE	21.01.13		LINEAR	ANGLES	APPROVED	Wang_jr	21.01.13	WLSW10-042XX0025	ENDE05	
			UNIT:mm	0.00±0.25	X'±3'	DESIGNER	Ding_bo	21.01.13	TITLE:		REV: A0
			SIZE: A4	0.000±0.10	X'X' ±2'	DRAWN	Ou_jian	21.01.13	TACT SWITCH		SHEET: 1/1