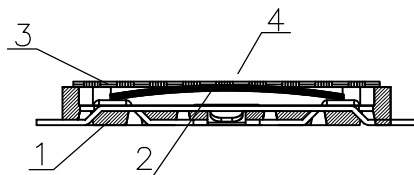
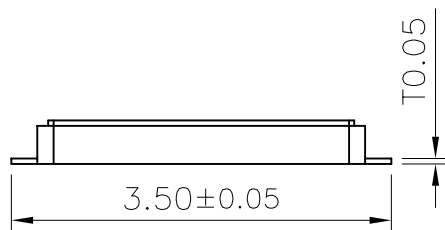
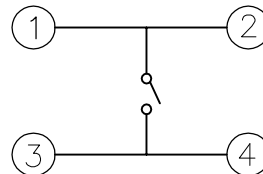


The product using material and processing must conform to the "WL-PZ-001"HSF technical standard control requirements

RoHS



电路图



NOTE:

1.MATERIAL SPECIFICATION:

1-1.HOUSING:PA6T COLOUR:BLACK, BRASS

1-2.SPRING:CARBON STEEL

1-3.DUST-PROOF MEMBRANE:POLYIMIDE

2.PLATING SPECIFICATION:

2-1.HOUSING:

AG PLATED ON CONTACT AREA.

3.MECHANICAL PERFORMANCE:

3-1.LIFE TEST: 10000 CYCLES

4.ELECTRICAL PERFORMANCE:

4-1.RATING CURRENT:0.1A

4-2.RATING VOLTAGE:30V

4-3.CONTACT RESISTANCE: 100mΩ MAX;

4-4.INSULATION RESISTANCE:100MΩ MIN

4-5.WITHSTANDING VOLTAGE: 250V AC

5.OPERATION TEMPERATURE RANGE:-20°C~+85°C

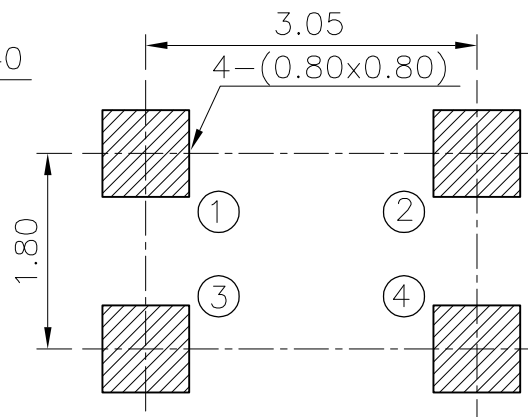
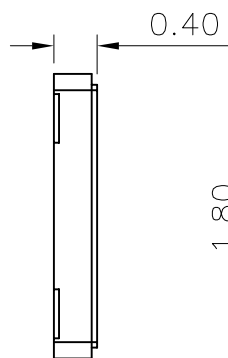
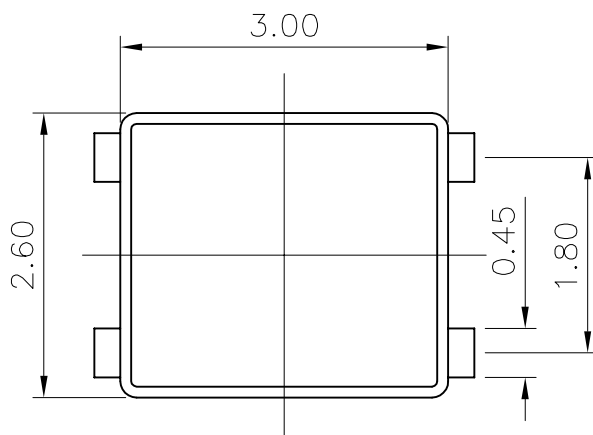
6.P/N:

WLSW10-04 2 X X 0 038

PLATED:
1.G/F
7.SN
8.AG

COLOUR:
A.BLACK

安装版复印孔



REV.	REVISION RECORD	DATE	UNIT:mm	GENERAL TOLERANCES		SCALE: 1:1	NAME	DATE	PART.NO:	DWG.NO:	 WanLian Teconology Co., Ltd
A0	NEW RELEASE	21.01.13		LINEAR	ANGLES	APPROVED	Wang_jr	21.01.13	WLSW10-042XX0038	ENDE05	
			0.00±0.25	X°±3'	DESIGNER	Han_Gao	21.01.13	TITLE: SWITCH		REV: A0	SHEET: 1/1
			SIZE: A4	0.000±0.10	X°X' ±2'	DRAWN	Zijun_Huang	21.01.13			