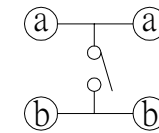
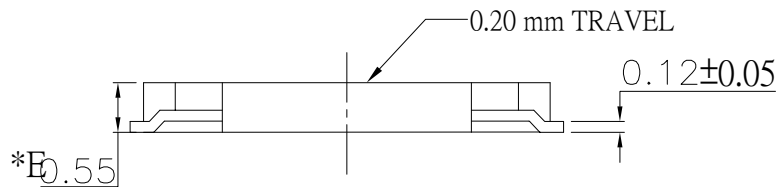
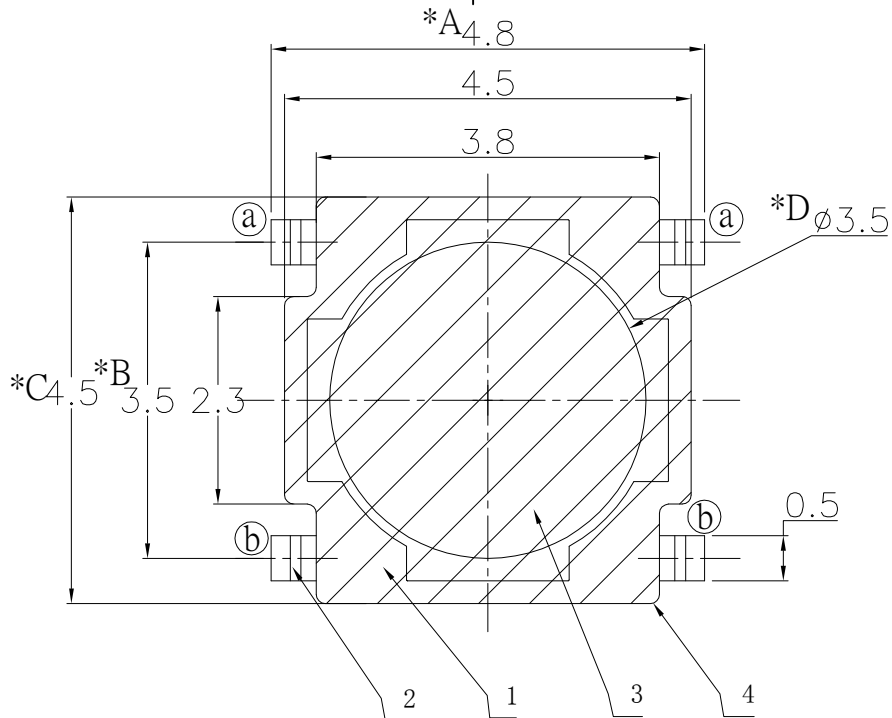
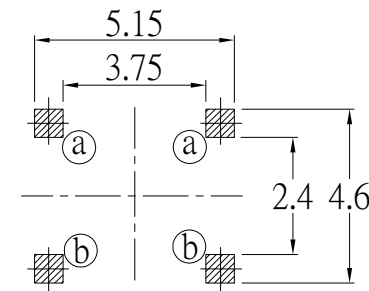


The product using material and processing must conform to the "WI-PZ-142"HSF technical standard control requirements



SCHEMATIC



P.C.B.LAYOUT


(force)	■ 2	160/180 gf
	□ 3	250 gf

PART ORDER:
WLSW10-04 2 X X 18-039

PLATING: 8-Ag
COLOUR:
A:BLACK
K:WHITE
C:RED

* CRITICAL DIMENSION

NO.	PART NAME	MATERIAL	QTY	FINISHING
4	SCREEN	PET	1	YELLOW
3	CONTACT	SUS	1	Ag CLAD
2	TERMINAL	PBS STRIP	4	Ag COATING
1	CASE	LCP	1	BLACK

REV.	REVISION RECORD	DATE	GENERAL TOLERANCES	SCALE:	NAME	DATE	PART.NO:	DWG.NO:	 WanLian Teconology Co., Ltd	
A0	NEW RELEASE	21.01.13		LINEAR 0.0±0.35 ANGLES X'REF±6°						1:1
			UNIT:mm 0.00±0.25 SIZE: A4 0.000±0.10	APPROVED	Ding_bo	21.01.13	TACT SWITCH	REV: A0		SHEET: 1/1
				DESIGNER	Ou_jian	21.01.13				