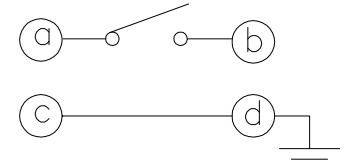
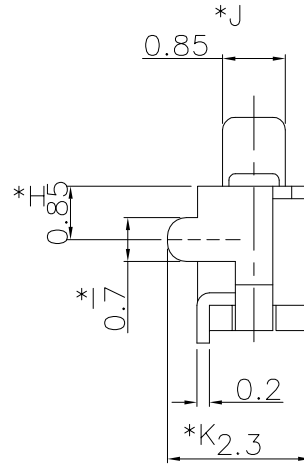
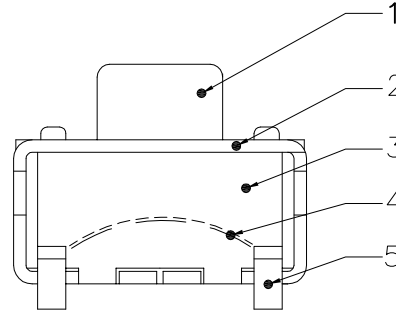
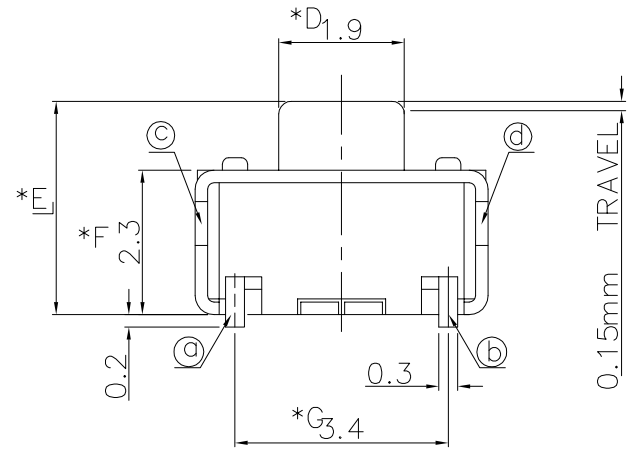
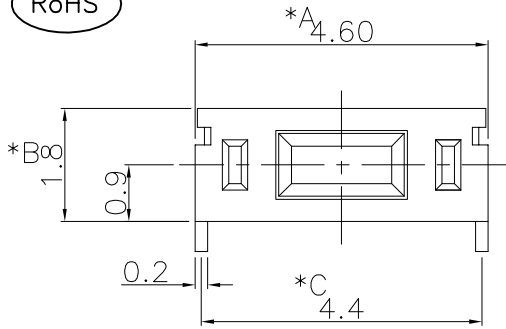


The product using material and processing must conform to the "WI-PZ-001"HSF technical standard control requirements

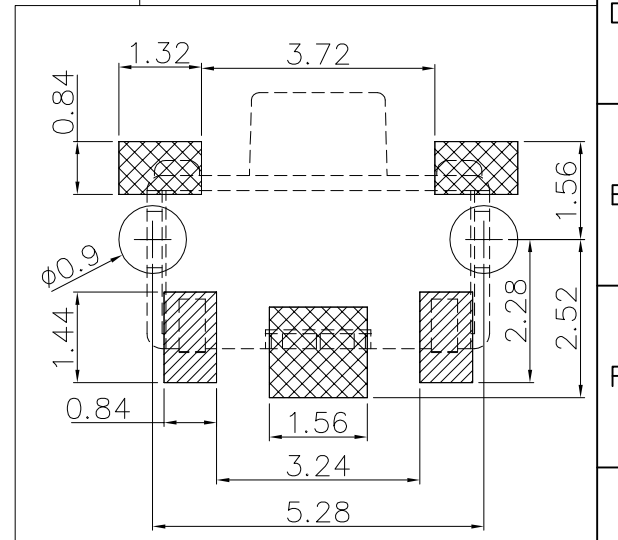
RoHS



SCHEMATIC

(height) L =	□ A	3.4 mm
	■ B	3.5 mm
	□ C	3.6 mm
	□ D	3.2 mm
(force) F =	□ 2	160 gf
	■ 3	250 gf

* CRITICAL DIMENSION



P.C.B.LAYOUT

PART ORDER:
WLSW19-02 2 X X 0 011
PLATING: 8-Ag COLOUR: A:Black K:White

5	TERMINAL	BRASS	2	Ag COATING
4	CONTACT	SUS	1	Ag COATING
3	CASE	LCP	1	WHITE
2	FRAME	BRASS	1	Ag COATING
1	STEM	LCP	1	BLACK
NO.	PART NAME	MATERIAL	QTY	FINISHING

REV.	REVISION RECORD		DATE		GENERAL TOLERANCES		SCALE: 1:1	NAME	DATE	PART.NO: WLSW19-022XX0011	DWG.NO: ENDE05			
	A0	NEW RELEASE	21.01.13		LINEAR	ANGLES	APPROVED						Wang_jr	21.01.13
					0.0±0.35	X'REF±6'	DESIGNER						Ding_bo	21.01.13
					0.00±0.25	X'±3'	DRAWN						Ou_jian	21.01.13
			UNIT:mm	0.00±0.25	X'±3'	TITLE: TACT SWITCH			REV: A0	SHEET: 1/1				
			SIZE: A4	0.000±0.10	X'X' ±2'									