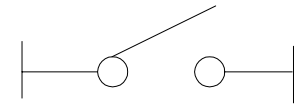
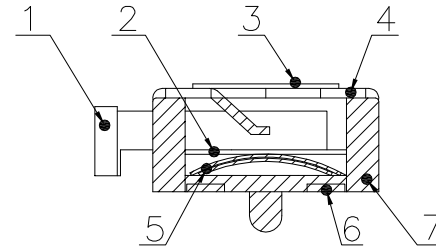
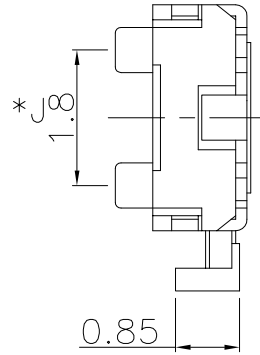
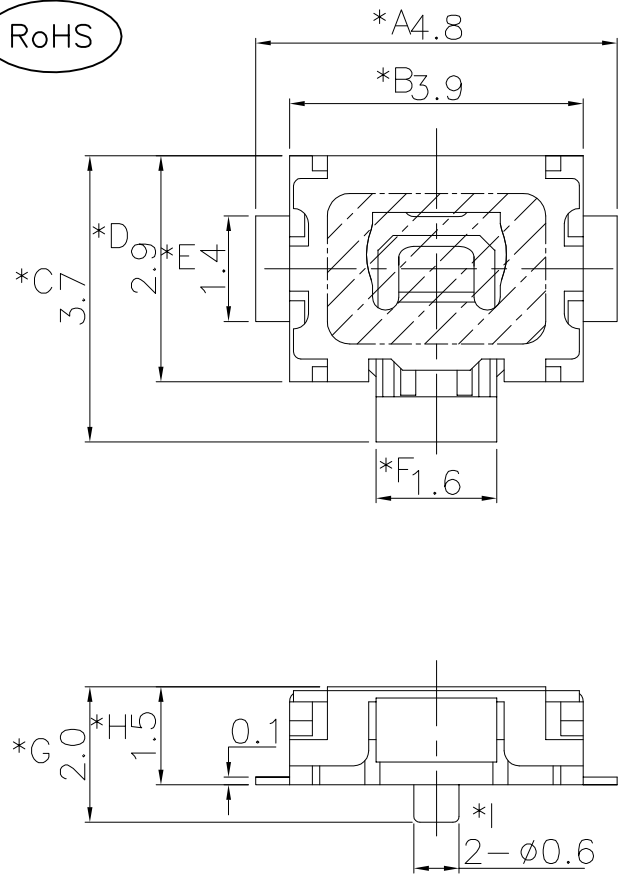
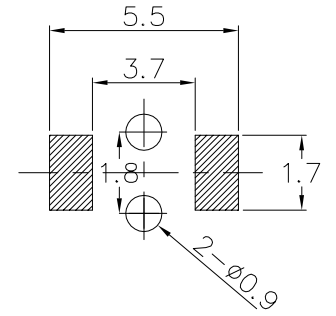


The product using material and processing must conform to the "WI-PZ-001"HSF technical standard control requirements



SCHEMATIC



P.C.B.LAYOUT

7	CASE	LCP	1	BLACK
6	TERMINAL	PBS STRIP	4	Ag COATING
5	CONTACT	SUS	1	Ag CLAD
4	COVER	SUS	1	NATURAL
3	SCREEN	PE	1	YELLOW
2	SCREEN	PE	1	YELLOW
1	STEM	PA46	1	BLACK
NO.	PART NAME	MATERIAL	QTY	FINISHING

PART ORDER:
WLSW19-02 2 X X 0 020

PLATING: 8-Ag COLOUR:
A:Black
K:White

(force)	□ 2	180 gf
	■ 3	250 gf

* CRITICAL DIMENSION

REV.	REVISION RECORD	DATE
A0	NEW RELEASE	21.01.13



GENERAL TOLERANCES

LINEAR	ANGLES
0.0±0.35	X'REF±6°
0.00±0.25	X'±3°
0.000±0.10	X'X' ±2°

SCALE: 1:1	NAME	DATE
APPROVED	Wang_jr	21.01.13
DESIGNER	Ding_bo	21.01.13
DRAWN	Ou_jian	21.01.13

PART.NO: WLSW19-022XX0020	TITLE: TACT SWITCH
------------------------------	-----------------------

DWG.NO: ENDE05



REV: A0	SHEET: 1/1
---------	------------