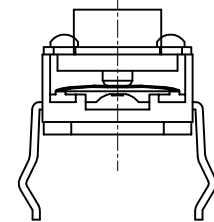
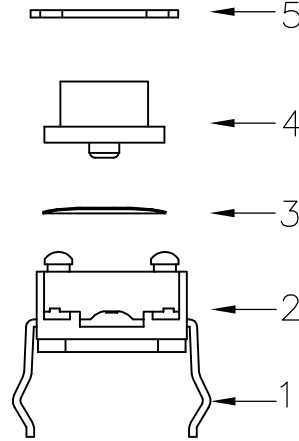
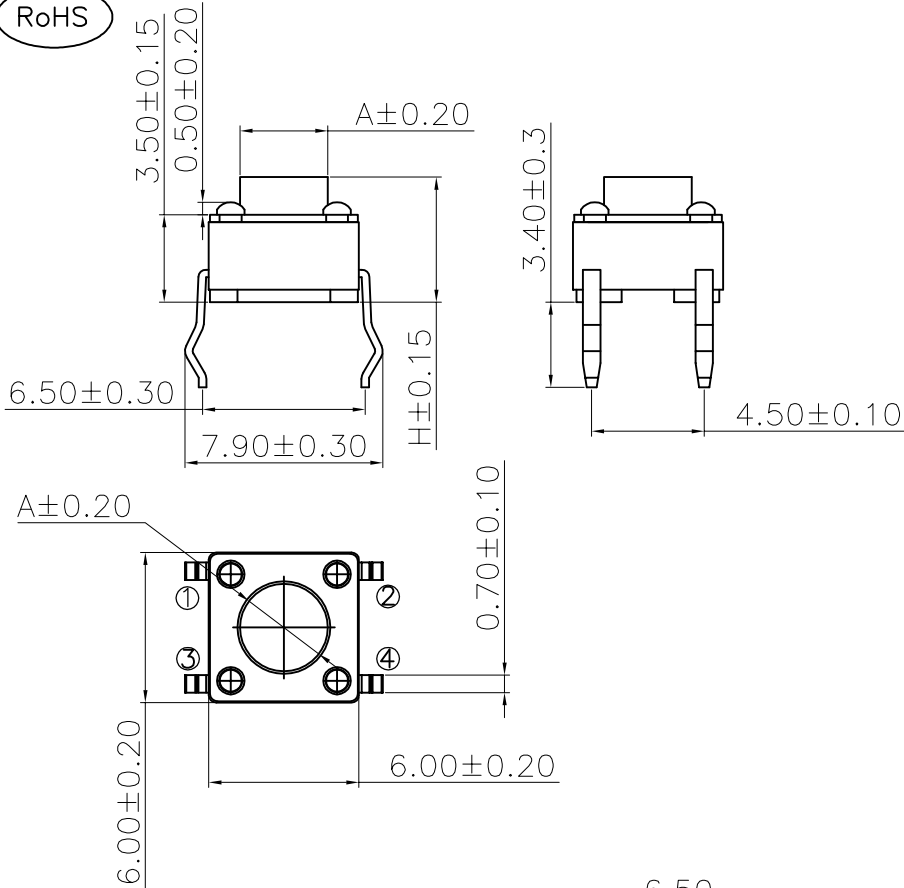


The product using material and processing must conform to the "WI-PZ-001"HSF technical standard control requirements

RoHS



产品零部件剖析图

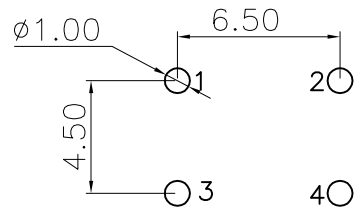
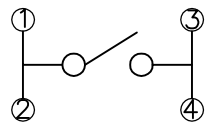
NOTE:

- MATERIAL SPECIFICATION:
  - 1-1.CONTACTS:BRASS T=0.3mm
  - 1-2.HOUSING:PPA COLOUR:BLACK
  - 1-3.SHRAPNEL:φ5 STAINLESS STEEL
  - 1-4.COVER: BRASS T=0.25mm
  - 1-5.BUTTON: PPA COLOUR:BLACK/RED.....
- PLATING SPECIFICATION:
  - 2-1.CONTACT:AG PLATING ON CONTACT AREA
  - 2-2.SHRAPNEL:AG PLATING.
  - 2-3.COVER:SN PLATING.
- ELECTRICAL PERFORMANCE:
  - 3-1.RATING CURRENT:50mA DC
  - 3-2.RATING VOLTAGE:12V DC
  - 3-3.CONTACT RESISTANCE: 100mΩ MAX;
  - 3-4.INSULATION RESISTANCE:100MΩ MIN
  - 3-5.WITHSTANDING VOLTAGE: AC 250V/50HZ,1MIN
- MECHANICAL PERFORMANCE:
  - 4-1.DURABILITY: 100000 CYCLES.
- OPERATION TEMPERATURE RANGE:-20°C~+85°C
- P/N:

WLSW19-04 1 8 A X 051

PLATED: 8.AG  
COLOUR: A.BLACK

A.H=4.30mm  
B.H=4.50mm  
C.H=5.00mm  
D.H=5.50mm  
E.H=6.00mm  
F.H=6.50mm  
G.H=7.00mm  
H.H=7.50mm  
I.H=8.00mm  
.....



H	A
总高/mm	按钮顶部尺寸/mm
4.3	3.5
4.5	3.5
5.0	3.45
5.5	3.35
6.0	3.2
6.5	3.15
7.0	3.3
7.5	3.1
8.0	3.1

N (按力值gf)				
100	160	250	350	.....
				8.0

REV.	REVISION RECORD	DATE	GENERAL TOLERANCES		SCALE:	NAME	DATE	PART.NO:	DWG.NO:
A0	NEW RELEASE	21.01.13	LINEAR	ANGLES	1:1	Wang_jr	21.01.13	WLSW19-0418AX051	ENDE05
			0.0±0.35	X°REF±6°	APPROVED	Han_Gao	21.01.13	TITLE:	<p>WanLian Teconology Co., Ltd</p>
			0.00±0.25	X°±3°	DESIGNER	Zijun_Huang	21.01.13	TACT SWITCH	
			0.000±0.10	X°X' ±2°	DRAWN				



REV: A0 SHEET: 1/1