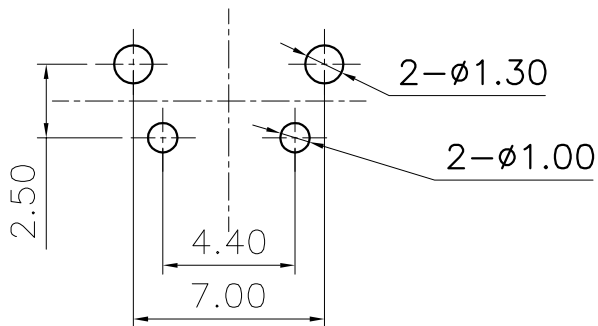
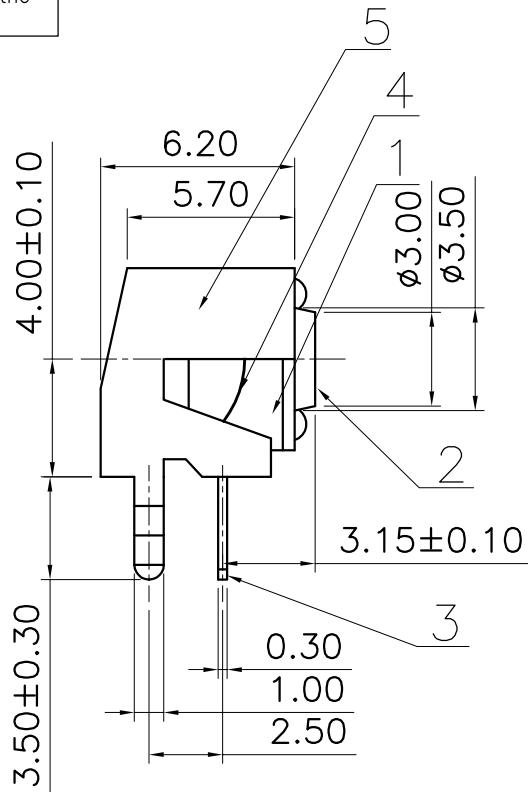
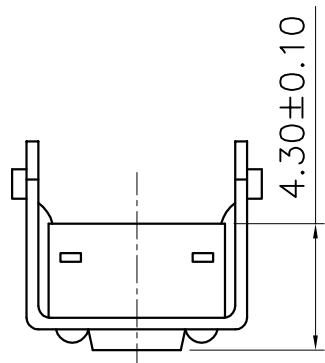
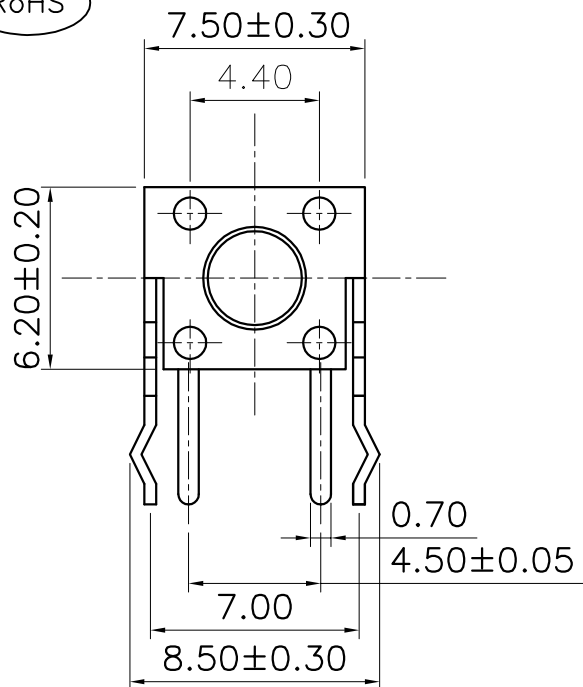


The product using material and processing must conform to the "WL-PZ-001"HSF technical standard control requirements

RoHS

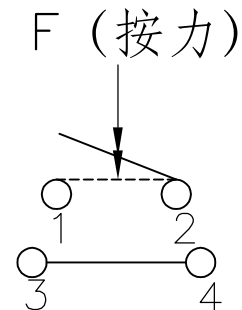


NOTE:

- 1.MATERIAL SPECIFICATION:
  - 1-1.STEM:PPA COLOUR:BLACK
  - 1-2.COVER:BRASS
  - 1-3.CONTACT:PHOSPHOR BRONZE
  - 1-4.BASE:PPA COLOUR:BLACK
  - 1-5.TERMINAL:BRASS
- 2.PLATING SPECIFICATION:
  - 2-1.COVER:NI PLATING.
  - 2-2.CONTACT:AG PLATING ON CONTACT AREA.
  - 2-3.TERMINAL:AG PLATING ON CONTACT AREA.
- 3.ELECTRICAL PERFORMANCE:
  - 3-1.RATING CURRENT:0.5A
  - 3-2.RATING VOLTAGE:30V
  - 3-3.CONTACT RESISTANCE: 100mΩ MAX;
  - 3-4.INSULATION RESISTANCE:100MΩ MIN
  - 3-5.WITHSTANDING VOLTAGE: 250V AC
- 4.OPERATION TEMPERATURE RANGE:-20°C~+85°C
- 5.P/N:

WLSW19-04 1 X X 0 040

PLATED:	COLOUR:
1.G/F	A.BLACK
2.Au 3u"	K.WHITE
5.Au 15u"	G.BULE
7.SN	
8.AG	



REV.	REVISION RECORD	DATE		GENERAL TOLERANCES		SCALE:	NAME	DATE	PART.NO: WLSW19-041XX0040	DWG.NO: ENDE05		
A0	NEW RELEASE	21.01.13		LINEAR	ANGLES	1:1	APPROVED	Wang_jr				21.01.13
			UNIT:mm	0.00±0.25	X'±3'	DESIGNER	Han_Gao	21.01.13	TITLE: TACT SWITCH			REV: A0 SHEET: 1/1
			SIZE: A4	0.000±0.10	X'X' ±2'	DRAWN	Zijun_Huang	21.01.13				