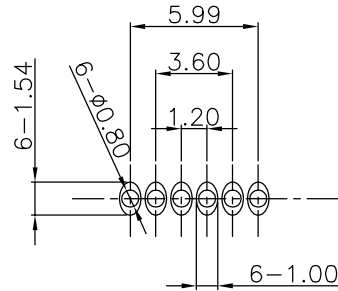
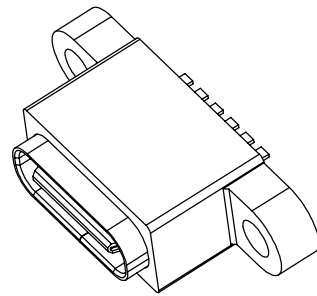
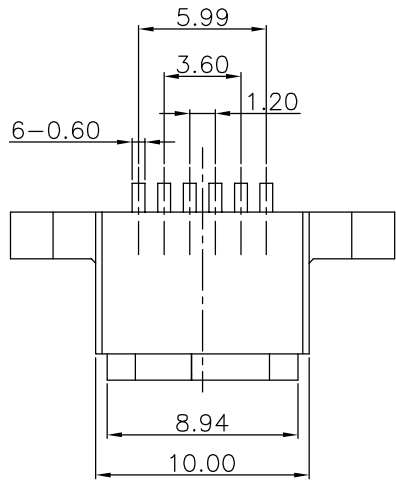


The product using material and processing must conform to the "WL-PZ-001"HSF technical standard control requirements

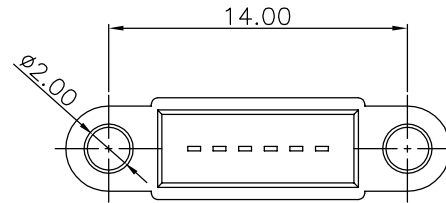
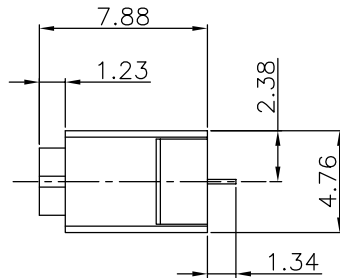
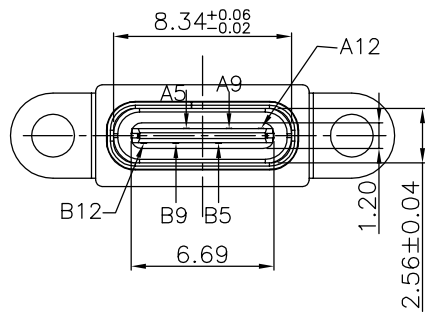
RoHS



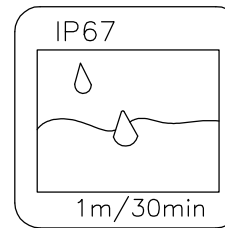
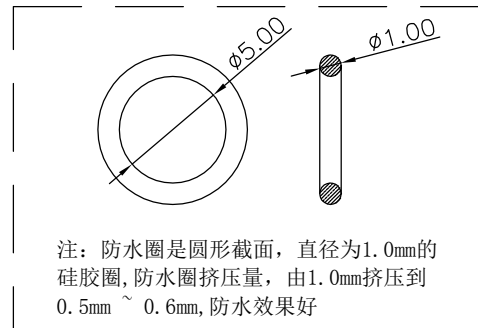
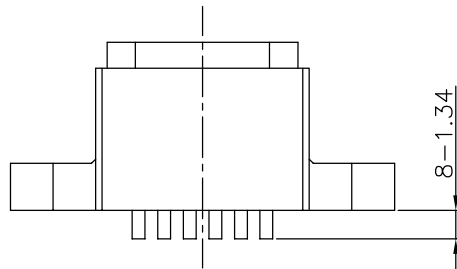
Recommended P.C.B. Layout
Unspecified tolerance: ± 0.05
(Top view)

NOTE:

- 1.MATERIAL SPECIFICATION:
 - 1-1.HOUSING : PA10T BLACK
 - 1-2.CONTACT : PHOSPHOR BRONZE
 - 1-3.SHELL: STAINLESS STEEL
- 2.PLATING SPECIFICATION:
 - 2-1.CONTACT: AU PLATING OTHER AREA
 - 2-2.SHELL: NI PLATING OVER ALL.
- 3.MECHANICAL PERFORMANCE:
 - 3-1.INSERTION FORCE:2.0Kgf MAX
 - 3-2.EXTRACTION FORCE:0.8Kgf MIN
 - 3-3.DURABILITY: 10000 CYCLES.
- 4.ELECTRICAL PERFORMANCE:
 - 4-1.RATED CURRENT:3.0A
 - 4-2.VOLTAGE RATING:20V
 - 4-3.CONTACT RESISTANCE: 40m Ω MAX
 - 4-4.INSULATION RESISTANCE: 100M Ω MIN
 - 4-5.WITHSTANDING VOLTAGE: 100V AC
- 5.OPERATION TEMPERATURE RANGE:-25°C~85°C
- 6.WATER PROOFNESS:THIS PRODUCT IS BASED ON IPX7.
- 7.PACKAGE SPEC:REEL
- 8.P/N: WLT2F0-06 1 X X X 130



PLATED: 1-G/F
2-Au 3u"
5-Au 15u"
6-Au 30u"
HOUSING: 1-PA10T
2-LCP
COLOUR: A-BLACK



A5	CC1	B12	GND
A9	VBUS	B9	VBUS
A12	GND	B5	CC2
PIN	SIGNAL NAME	PIN	SIGNAL NAME

REV.	REVISION RECORD	DATE		GENERAL TOLERANCES		SCALE: 1:1	NAME	DATE	PART.NO: WLT2F0-061XXX130	DWG.NO: ENDE05	
A0	NEW RELEASE	21.01.13		LINEAR	ANGLES	APPROVED	Wang_jr	21.01.13			
			UNIT:mm	0.00±0.25	X'±3°	DESIGNER	Han_Gao	21.01.13	TITLE: TYPE C 6P/F 180° DIP IPX7		REV: A0
			SIZE: A4	0.000±0.10	X'X' ±2°	DRAWN	Zijun_Huang	21.01.13			