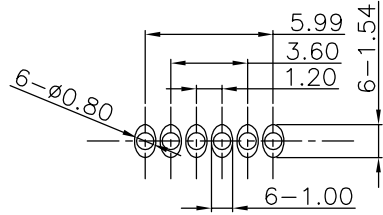
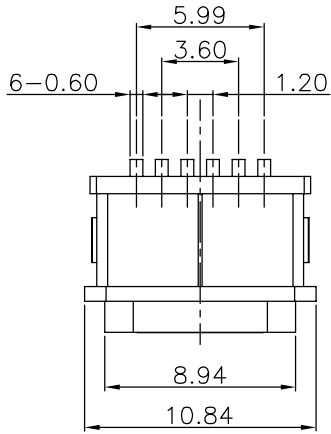


The product using material and processing must conform to the "WL-PZ-001"HSF technical standard control requirements

RoHS



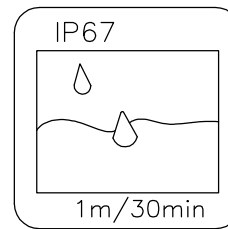
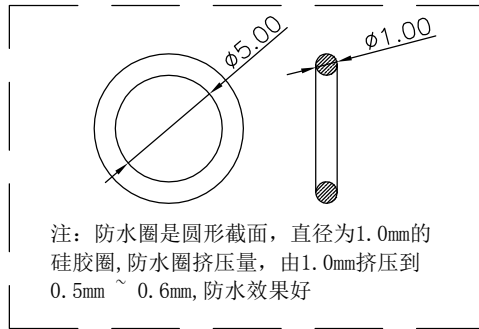
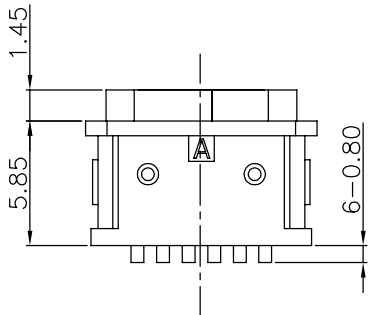
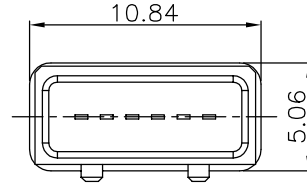
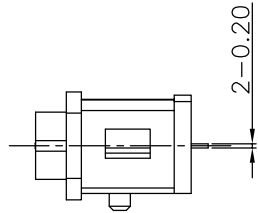
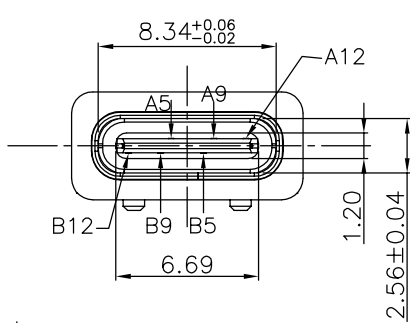
Recommended P.C.B. Layout  
Unspecified tolerance:±0.05  
(Top view)

NOTE:

- 1.MATERIAL SPECIFICATION:
  - 1-1.HOUSING : PA10T
  - 1-2.CONTACT : PHOSPHOR BRONZE T=0.20
  - 1-3.SHELL : SUS301 T=0.25
- 2.PLATING SPECIFICATION:
  - 2-1.CONTACT: AU G/F PLATING ON CONTACT AREA.
  - 2-2.SHELL 1: NI PLATING OVER ALL.
- 3.MECHANICAL PERFORMANCE:
  - 3-1.INSERTION FORCE:0.5~2.0Kgf
  - 3-2.EXTRACTION FORCE:0.8~2.0Kgf
  - 3-3.DURABILITY: 10000 CYCLES.
- 4.ELECTRICAL PERFORMANCE:
  - 4-1.RATED CURRENT:3.0A
  - 4-2.VOLTAGE RATING:20V
  - 4-3.CONTACT RESISTANCE: 40mΩ MAX
  - 4-4.INSULATION RESISTANCE: 100MΩ MIN
  - 4-5.WITHSTANDING VOLTAGE: 100V AC
- 5.OPERATION TEMPERATURE RANGE:-30°C~85°C
- 6.WATER PROOFNESS:THIS PRODUCT IS BASED ON IPX7.
- 7.PACKAGE SPEC:REEL
- 8.P/N:

WLT2F0-06 1 X X X 131

PLATED: 1-G/F  
2-Au 3u"  
5-Au 15u"  
6-Au 30u"  
HOUSING: 1-PA10T  
2-LCP  
COLOUR: A.BLACK



A5	CC1	B12	GND
A9	VBUS	B9	VBUS
A12	GND	B5	CC2
PIN	SIGNAL NAME	PIN	SIGNAL NAME

REV.	REVISION RECORD	DATE		GENERAL TOLERANCES		SCALE: 1:1	NAME	DATE	PART.NO:	DWG.NO:	
A0	NEW RELEASE	21.01.13		LINEAR	ANGLES	APPROVED	Wang_jr	21.01.13	WLT2F0-061XXX131	ENDE05	
			UNIT:mm	0.00±0.25	X'±3°	DESIGNER	Han_Gao	21.01.13	TITLE:		REV: A0      SHEET: 1/1
			SIZE: A4	0.000±0.10	X*X' ±2°	DRAWN	Zijun_Huang	21.01.13	TYPE C 6P/F 180° DIP IPX7		