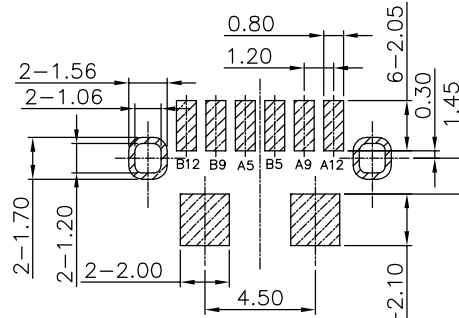
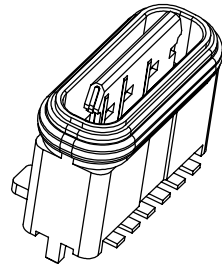
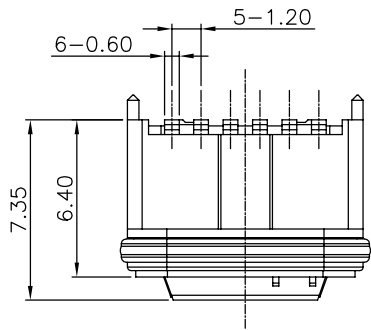


The product using material and processing must conform to the "WL-PZ-001"HSF technical standard control requirements

RoHS



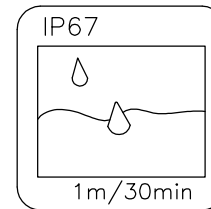
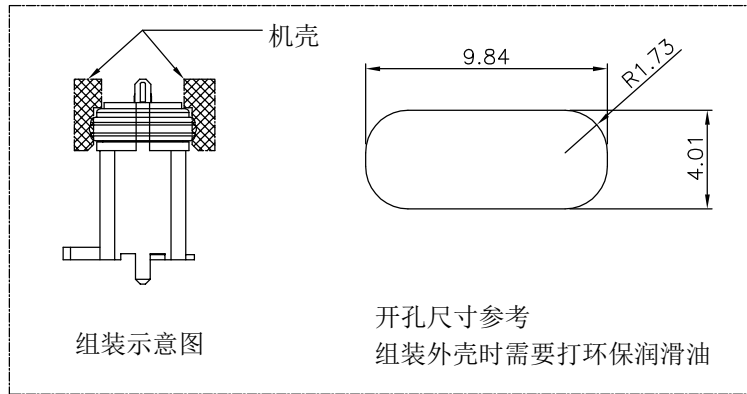
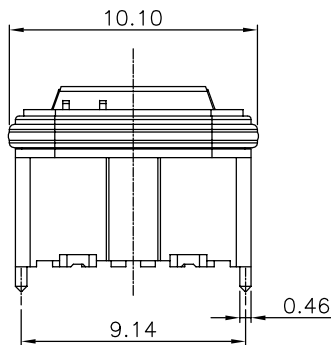
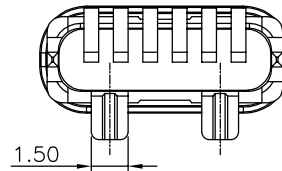
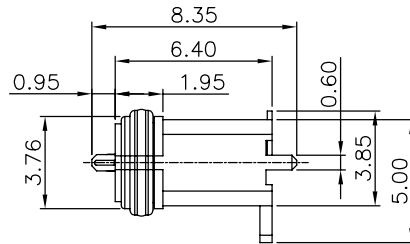
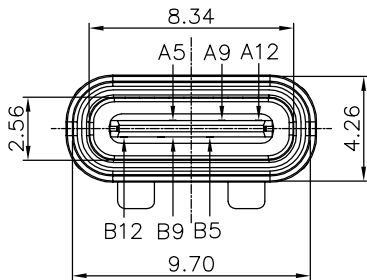
RECOMMENDED P. C. B LAYOUT  
TOP VIEW (TOLRANCE: ±0.05)

- NOTE:
- MATERIAL SPECIFICATION:
    - HOUSING :PA10T
    - CONTACT :PHOSPHOR BRONZE T=0.20
    - SHELL :ZINC ALLOY
  - PLATING SPECIFICATION:
    - CONTACT:AU G/F PLATING ON CONTACT AREA.
  - MECHANICAL PERFORMANCE:
    - INSERTION FORCE:0.5~2.0Kgf
    - EXTRACTION FORCE:0.6~2.0Kgf
    - DURABILITY: 10000 CYCLES.
  - ELECTRICAL PERFORMANCE:
    - RATED CURRENT:3.0A
    - VOLTAGE RATING:20V
    - CONTACT RESISTANCE: 30mΩ MAX
    - INSULATION RESISTANCE: 100MΩ MIN
    - WITHSTANDING VOLTAGE: 100V AC
  - OPERATION TEMPERATURE RANGE:-30°C~85°C
  - WATER PROOFNESS:THIS PRODUCT IS BASED ON IPX7.
  - PLUG INTERFACE DIMENSIONS COMFORM TO USB2.0 SPEC.
  - PACKAGE SPEC:REEL

9.P/N: WLT2F0-06 2 X X X 128

PLATED: 1-G/F  
2-Au 3u"  
5-Au 15u"  
6-Au 30u"

HOUSING: 1-PA10T  
2-LCP  
COLOUR: A-BLACK



A5	CC1	B12	GND
A9	VBUS	B9	VBUS
A12	GND	B5	CC2
PIN	SIGNAL NAME	PIN	SIGNAL NAME

REV.	REVISION RECORD	DATE	UNIT:mm	GENERAL TOLERANCES		SCALE: 1:1	NAME	DATE	PART.NO: WLT2F0-062XXX128	DWG.NO: ENDE05	
A0	NEW RELEASE	21.01.13		LINEAR	ANGLES	APPROVED	Wang_jr	21.01.13			
			0.00±0.25	X'±3°	DESIGNER	Han_Gao	21.01.13	TITLE: TYPE C 6P/F 180° SMT IPX7	REV: A0	SHEET: 1/1	
			0.00±0.10	X'X' ±2°	DRAWN	Zijun_Huang	21.01.13				