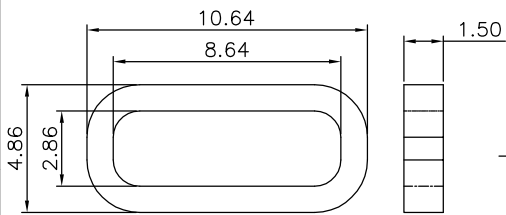
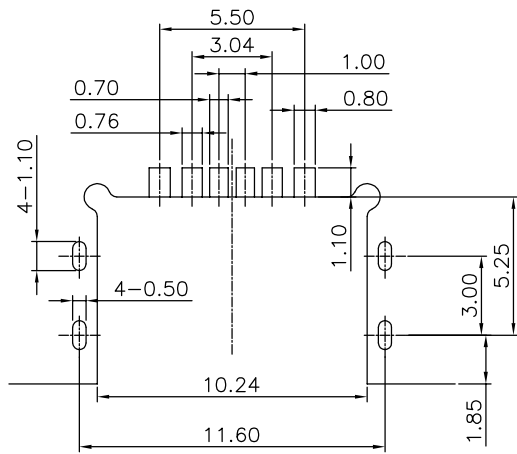
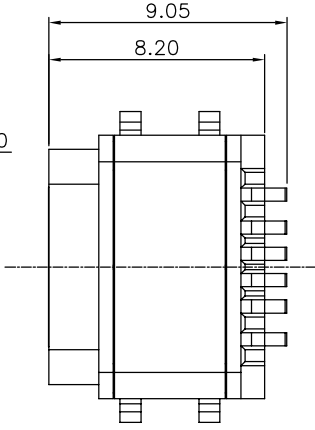


The product using material and processing must conform to the "WL-PZ-001"HSF technical standard control requirements

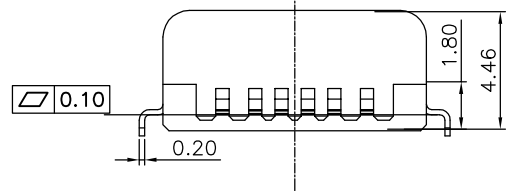
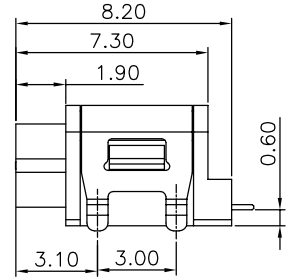
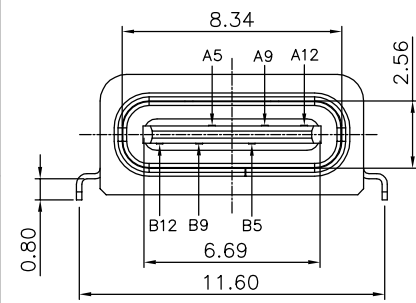
RoHS



建议胶圈尺寸

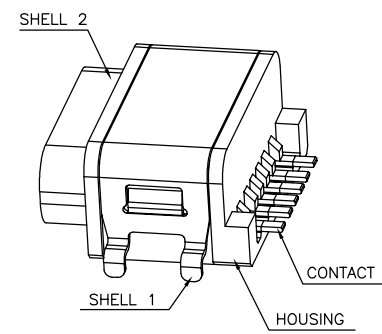
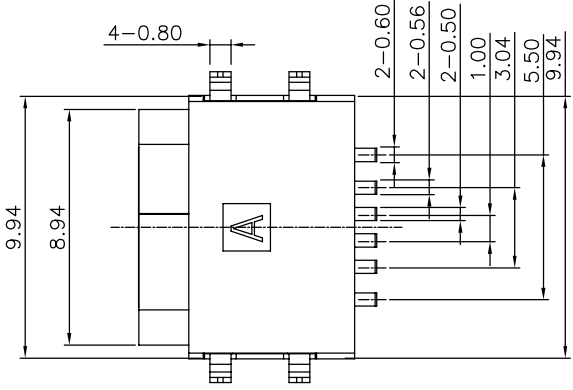
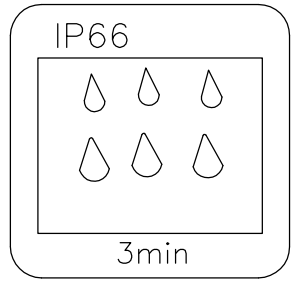


RECOMMENDED P.C.B. LAYOUT (TOP VIEW)
GENERAL TOLERANCE: ±0.05



- NOTE:
- MATERIAL SPECIFICATION:
 - 1-1.HOUSING:PA10T(G.F30%)
 - 1-2.CONTACT:PHOSPHOR BRONZE C5191R-EH T=0.20
 - 1-3.SHELL 1:SUS301 T=0.20mm
 - 1-4.SHELL 2:SUS301 T=0.30mm
 - PLATING SPECIFICATION:
 - 2-1.CONTACT:AU G/F PLATING ON CONTACT AREA.
 - 2-2.SHELL :NI PLATING ON CONTACT AREA.
 - MECHANICAL PERFORMANCE:
 - 3-1.INSERTION FORCE: 2.0Kgf MAX
 - 3-2.EXTRACTION FORCE:0.8Kgf MIN
 - 3-3.DURABILITY: 10000 CYCLES.
 - ELECTRICAL PERFORMANCE:
 - 4-1.RATED CURRENT:3A
 - 4-2.VOLTAGE RATING:20V MAX
 - 4-3.CONTACT RESISTANCE: 30mΩ MAX
 - 4-4.INSULATION RESISTANCE: 100MΩ MIN
 - 4-5.WITHSTANDING VOLTAGE: 100V AC
 - OPERATION TEMPERATURE RANGE:-25°C~85°C
 - WATER PROOFNESS:THIS PRODUCT IS BASED ON IPX6
 - PLUG INTERFACE DIMENSIONS COMFORM TO USB2.0 SPEC.
 - PACKAGE SPEC:REEL

- 9.P/N: WLT2F9-06 8 X X X 119
- PLATED: 1-G/F, 2-Au 3u", 5-Au 15u", 6-Au 30u"
- HOUSING: 1-PA10T, 2-LCP, COLOUR: A-BLACK



A5	CC1	B12	GND
A9	VBUS	B9	VBUS
A12	GND	B5	CC2
PIN	SIGNAL NAME	PIN	SIGNAL NAME

REV.	REVISION RECORD	DATE		GENERAL TOLERANCES		SCALE: 1:1	NAME	DATE	PART.NO: WLT2F9-068XXX119	DWG.NO: ENDE05	
A0	NEW RELEASE	21.01.13		LINEAR	ANGLES	APPROVED	Wang_jr	21.01.13			
			UNIT:mm	0.00±0.25	X°±3°	DESIGNER	Han_Gao	21.01.13	TITLE: TYPE C 6P/F SMT IPX6	REV: A0	SHEET: 1/1
			SIZE: A4	0.000±0.10	X°X' ±2°	DRAWN	Zijun_Huang	21.01.13			