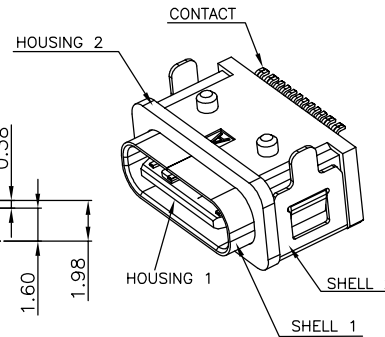
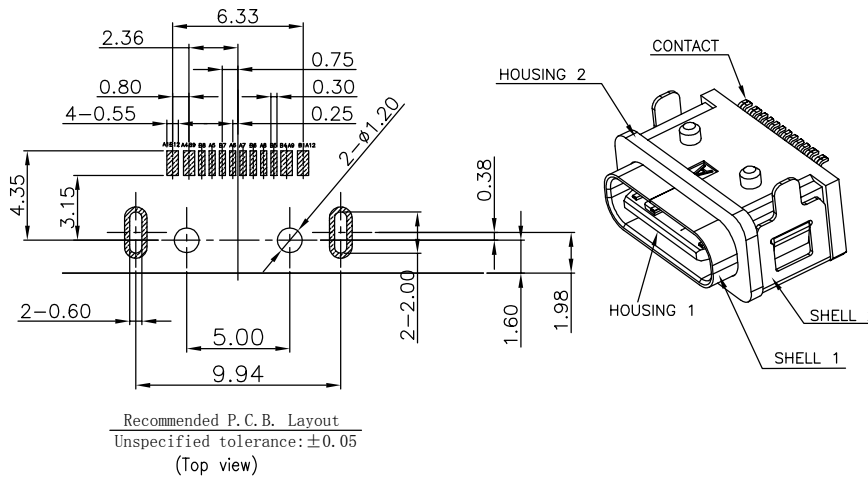
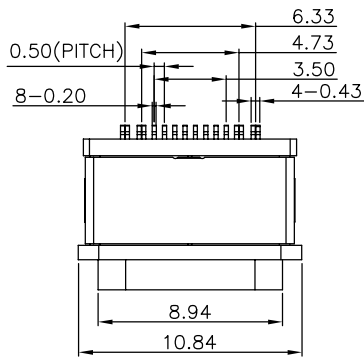


The product using material and processing must conform to the "WL-PZ-001"HSF technical standard control requirements

RoHS



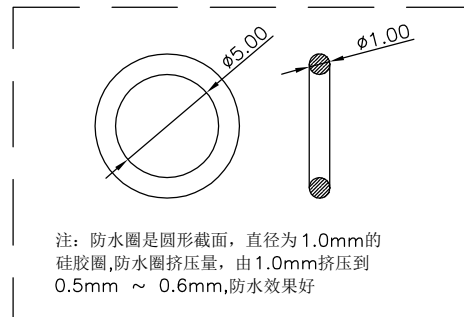
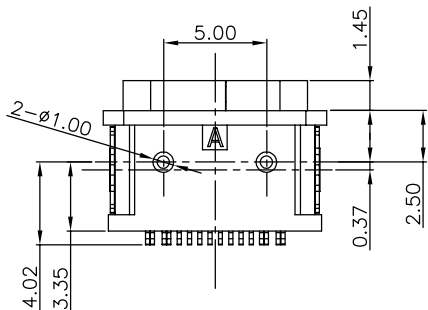
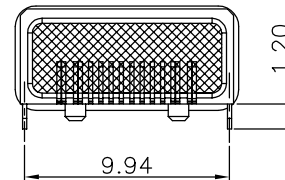
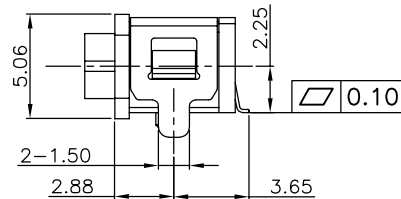
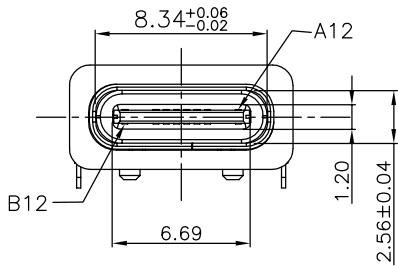
NOTE:

- MATERIAL SPECIFICATION:
 - HOUSING 1:PA10T
 - CONTACT :COPPER ALLOY T=0.20
 - HOUSING 2:PA10T
 - SHELL 1:SUS301 T=0.30mm
 - SHELL 2:SUS301 T=0.20mm
- PLATING SPECIFICATION:
 - CONTACT:AU PLATING ON CONTACT AREA.
 - SHELL :NI 40u"MIN PLATING OVER ALL.
- MECHANICAL PERFORMANCE:
 - INSERTION FORCE:2.0Kgf MAX
 - EXTRACTION FORCE:0.8Kgf MIN
 - DURABILITY: 10000 CYCLES.
- ELECTRICAL PERFORMANCE:
 - RATED CURRENT:3.0A
 - VOLTAGE RATING:20V
 - CONTACT RESISTANCE: 40mΩ MAX
 - INSULATION RESISTANCE: 100MΩ MIN
 - WITHSTANDING VOLTAGE: 100V AC
- OPERATION TEMPERATURE RANGE:-25°C~85°C
- WATER PROOFNESS:THIS PRODUCT IS BASED ON IPX8.
- PACKAGE SPEC:REEL
- P/N: WLT2F9-16 2 X X X 132

PLATED: 1-G/F
2-Au 3u"
5-Au 15u"
6-Au 30u"

HOUSING: 1-PA10T
2-LCP

COLOUR: A-BLACK



A1	GND	B12	GND
A4	VBUS	B9	VBUS
A5	CC1	B8	SBU2
A6	DP1	B7	DN2
A7	DN1	B6	DP2
A8	SBU1	B5	CC2
A9	VBUS	B4	VBUS
A12	GND	B1	GND
PIN	SIGNAL NAME	PIN	SIGNAL NAME

REV.	REVISION RECORD	DATE	GENERAL TOLERANCES		SCALE:	NAME	DATE	PART.NO:	DWG.NO:
A0	NEW RELEASE	21.01.13	LINEAR	ANGLES	1:1	Wang_jr	21.01.13	WLT2F9-162XXX132	ENDE05
			0.0±0.35	X°REF±6°	APPROVED	Han_Gao	21.01.13	TITLE: TYPE C 16P/F SMT IPX8	 WanLian Teconology Co., Ltd
			0.00±0.25	X°±3°	DESIGNER	Zijun_Huang	21.01.13		
			0.000±0.10	X°X' ±2°	DRAWN				
			UNIT:mm						REV: A0
			SIZE: A4						SHEET: 1/1