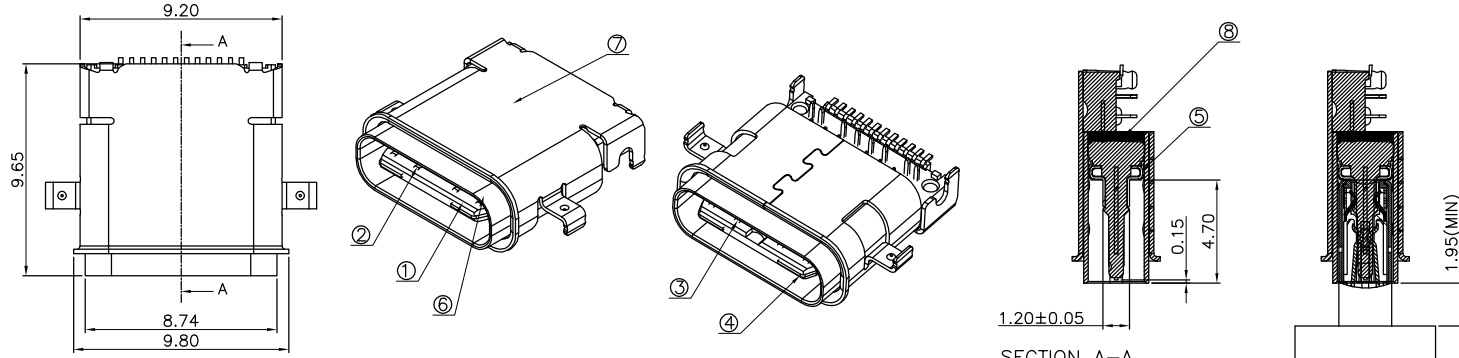


The product using material and processing must conform to the "WL-PZ-001"HSF technical standard control requirements

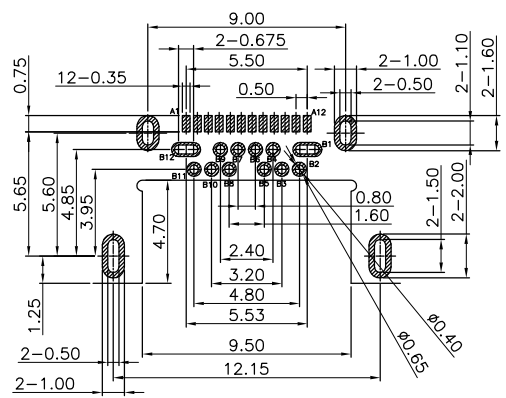
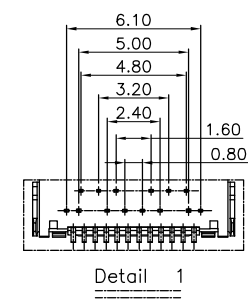
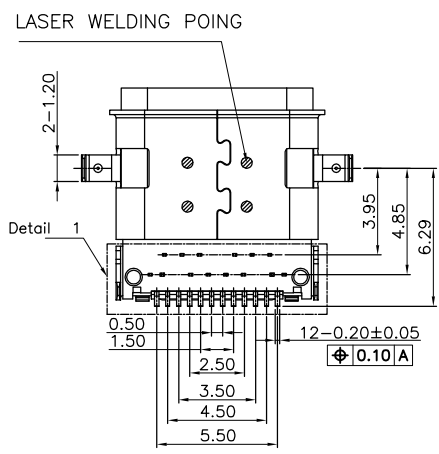
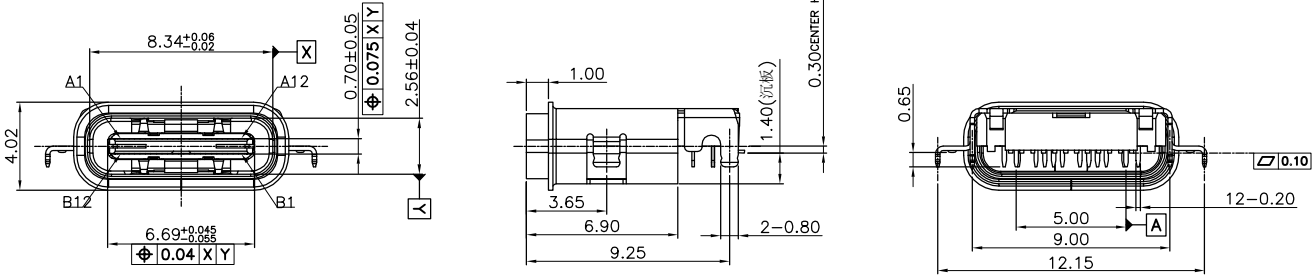
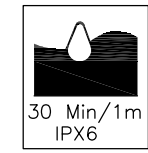
RoHS



NOTE:  
 1.MECHANICAL PERFORMANCE:  
 1-1.INSERTION FORCE:2.0Kgf MAX  
 1-2.EXTRACTION FORCE:0.8Kgf MIN  
 1-3.DURABILITY: 10000 CYCLES.  
 2.ELECTRICAL PERFORMANCE:  
 2-1.RATED CURRENT:5A  
 2-2.CONTACT RESISTANCE: 40mΩ MAX  
 2-3.VOLTAGE RATING:20V MAX  
 2-4.INSULATION RESISTANCE: 100MΩ MIN  
 2-5.WITHSTANDING VOLTAGE: 100V AC  
 3.OPERATION TEMPERATURE RANGE:-25°C~85°C  
 4.WATER PROOFNESS:THIS PRODUCT IS BASED ON IPX6  
 5.PLUG INTERFACE DIMENSIONS CONFORM TO USB2.0 SPEC  
 6.PACKAGE SPEC REEL  
 7.P/N:

WLT4F9-24 8 X X X 121

PLATED: 1-G/F  
 2-Au 3u"  
 5-Au 15u"  
 6-Au 30u"  
 HOUSING: 1-PA10T  
 2-LCP  
 COLOUR: A-BLACK



RECOMMENDED P.C.B LAYOUT(Both sides are sample)  
 Tolerance:±0.05,Thickness=0.60mm

Pin	Signal Name	Mating Sequence	Pin	Signal Name	Mating Sequence
A1	GND	First	B12	GND	First
A2	SSTXp1	Second	B11	SSRXp1	Second
A3	SSTXn1	Second	B10	SSRXn1	Second
A4	V <sub>BUS</sub>	First	B9	V <sub>BUS</sub>	First
A5	CC1	Second	B8	SBU2	Second
A6	Dp1	Second	B7	Dn2	Second
A7	Dn1	Second	B6	Dp2	Second
A8	SBU1	Second	B5	CC2	Second
A9	V <sub>BUS</sub>	First	B4	V <sub>BUS</sub>	First
A10	SSRXn2	Second	B3	SSTXn2	Second
A11	SSRXp2	Second	B2	SSTXp2	Second
A12	GND	First	B1	GND	First
SHELL		GND	SHELL		GND

TABLE 1:

NO.	PART NAME	QTY	MATERIAL	DESCRIPTION	REMARK
⑧	GLUE WATER	1	EPOXY	BLACK;	
⑦	Shell-2	1	Stainless steel	NI PLATING;	T=0.20mm
⑥	Shell-1	1	Stainless steel	NI PLATING;	T=0.20mm
⑤	GND PLATE	1	Stainless steel	NI PLATING;	T=0.10mm
④	MID PLATE	1	Stainless steel		T=0.15mm
③	Terminal-B	12	铜镍硅合金	Au:15u" PLATING;	T=0.12mm
②	Terminal-A	12	铜镍硅合金	Au:15u" PLATING;	T=0.12mm
①	Housing	1	HIGH TEMP	Black	

REV.	REVISION RECORD	DATE	GENERAL TOLERANCES	SCALE: 1:1	NAME	DATE	PART.NO:	DWG.NO:
A0	NEW RELEASE	21.01.13	LINEAR 0.0±0.35	APPROVED	Wang_jr	21.01.13	WLT4F9-248XXX121	ENDE05
			ANGLES X°REF±6°	DESIGNER	Han_Gao	21.01.13	TITLE: TYPE C 24P/F 沉板1.4mm 前插后贴 IPX6	
			UNIT:mm 0.00±0.25	DRAWN	Zijun_Huang	21.01.13		
			SIZE: A4 0.00±0.10					



REV: A0 SHEET: 1/1