

type no.:

E1E19-F620 RM - F16



16 : 1NC (slow action)
RM : Red, with arrow marked

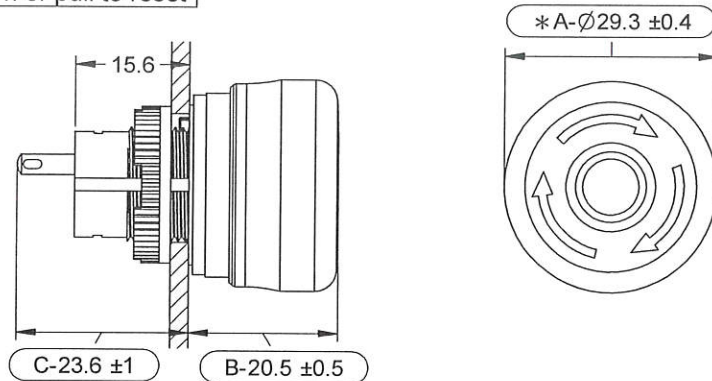
order no.:

E1E19-F620RM-F16 /

(Order no. codes)

Soldering/Plug-in Type Emergency Stop Switch

Pushlock, turn or pull to reset



Product Specifications

- Mechanical lifetime : >0.1 million operations
- Motion tolerance : <15 operations / minute
- Degree of protection : IP 65 / type 4X
- Panel thickness : 0.8mm ~ 4.5mm
- Mounting torque : 0.88 N-m
- Max. insulation voltage: 1500V 60Hz 1 minute
- Storage temperature : -40°C to +85°C
- Operating temperature: -25°C to +70°C
- Contact resistance : <=50mΩ (initial)

Contact ratings

Rated insulation voltage (Ui)	250V			
Thermal current (Ith)	5A			
Rated operational voltage (Ue)	30V	125V	250V	
Rated operational current (Ie)	(AC-12)	-	5A	3A
	(AC-15)	-	1.5A	0.75A
	(DC-12)	2A	0.4A	0.2A
	(DC-13)	1A	0.22A	0.1A

Note:

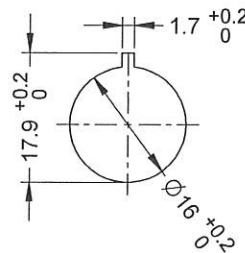
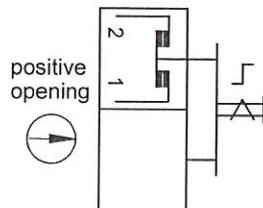
TUV / CCC rating: AC-15 0.75A/250V, DC-13 1A/30V
UL rating: General Use AC 1.5A/250V
General Use DC 1A/30V



Bottom View

Electrical Diagram

Mounting Hole



D
REV.

DECA[®]SwitchLab Inc.			PART NAME	UNIT	SCALE
DESIGNER <i>Vingchon</i>			Soldering/Plug-in Type Emergency Stop Switch	MM	<input type="checkbox"/>
CHECK <i>B/d</i>			DRAWING NO.		SHEET
APPROVE <i>L</i>			E1E19-F620RM-F16		1 / 1
DATE 2019/10/29	DATE 2019/10/29	DATE 2019/10/29			