

(可替代舊料號: E1E19-G620RM-F41)

type no.:
E1E19-G620 RM - F 41



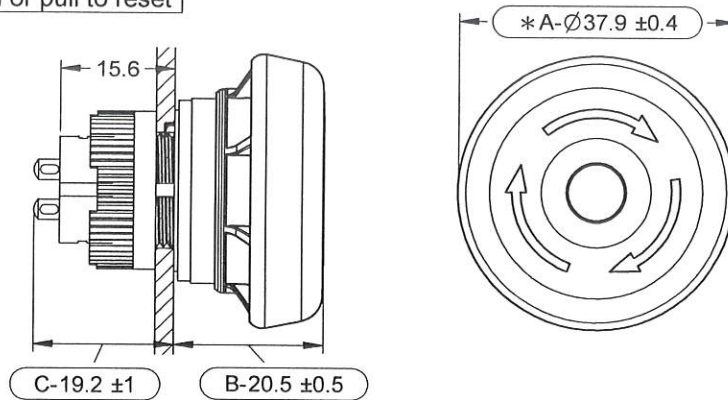
41 : 2NC (slow action)
RM : Red, with arrow marked

order no.:
E1E19-G620RM-F41 A/□□□□

(Order no. codes)

Soldering Type Emergency Stop Switch

Pushlock, turn or pull to reset



Product Specifications

- Mechanical lifetime : >0.1 million operations
- Motion tolerance : <15 operations / minute
- Degree of protection : IP 65 / type 4X
- Panel thickness : 0.8mm ~ 4.5mm
- Mounting torque : 0.88 N-m
- Max. insulation voltage: 1500V 60Hz 1 minute
- Storage temperature : -40°C to +85°C
- Operating temperature: -25°C to +70°C
- Contact resistance : ≤50mΩ (initial)



Contact ratings

Rated insulation voltage (Ui)		250V		
Thermal current (Ith)		5A		
Rated operational voltage (Ue)		30V	125V	250V
Rated operational current (Ie)	(AC-12)	-	5A	3A
	(AC-15)	-	1.5A	0.75A
	(DC-12)	2A	0.4A	0.2A
	(DC-13)	1A	0.22A	0.1A

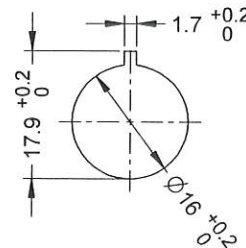
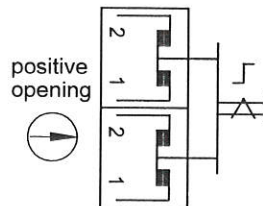
Note:

TUV / CCC rating: AC-15 0.75A/250V, DC-13 1A/30V
UL rating: General Use AC 1.5A/250V
General Use DC 1A/30V

Bottom View

Electrical Diagram

Mounting Hole



DECA SwitchLab Inc.			PART NAME	UNIT	SCALE
			Soldering Type Emergency Stop Switch	MM	1/1
DESIGNER	CHECK	APPROVE	DRAWING NO.	E1E19-G620RM-F41A	SHEET
DATE	DATE	DATE			
2020/12/14	2020/12/14	2020/12/14			1/1