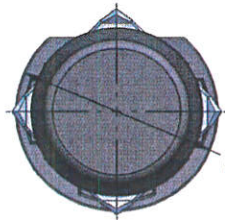
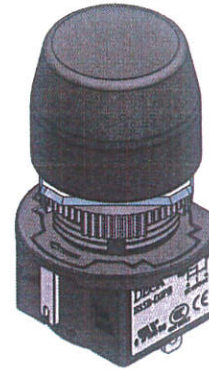


ES5B -D2PB

B: silicon rubber, black
 P: With rubber boot
 2: 2 contacts 3-position Switch
 ES5B: Type

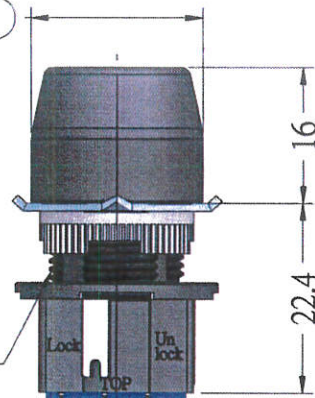


* A - $\varnothing 23.6 \pm 0.5$



Terminal Circuit Diagrams (Bottom View)	Mounting Hole Layout
<p>Label Side</p>	
<p>* 3-position Switch / 2contacts Use NO and C (NC terminal is not used)</p>	<p>* Recommended tightening torque for Locking Ring : 0.29~0.49 N.m</p>

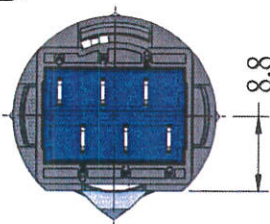
* B - $\varnothing 20 \pm 0.5$



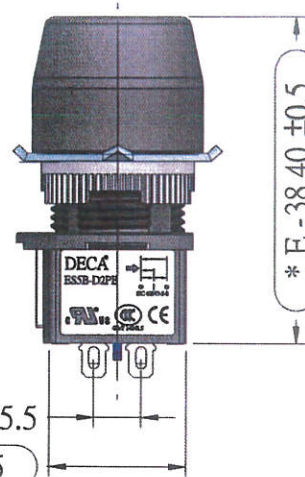
* F - M16*P1

2.7
5
5

* C - 18 ± 0.5



8.8



* E - 38.40 ± 0.5

* D - 16 ± 0.5

Degree of protection : IP-65
 Ratings : IEC 60947-5-8 3C GB/T14048.5
 AC-15 250 VAC / 0.5A DC-13 30 VDC / 0.7A
 UL 508 C300 R150
 Durability : Mechanical 1,000,000 operations min. (1-2-1)
 100,000 operation min. (1-2-3-1)
 Electrical 100,000 operations min.
 Contact resistance : 50mΩ max.
 Insulation resistance : 100MΩ min. (at VDC 500)
 Dielectric strength : 15 KV min
 Ambient operating : -25 to +60°C (with no icing)
 temperature range
 Ambient operating : 45~85%RH
 humidity



DECA SwitchLab Inc.		PART NAME	UNIT	SCALE
DESIGNER: Jan	CHECKER: Katarina	使能開關	MM	/
DATE: 2021/10/04	DATE: 2021/10/04	DRAWING NO.	①	SHEET
		ES5B-D2PB		1 / 1