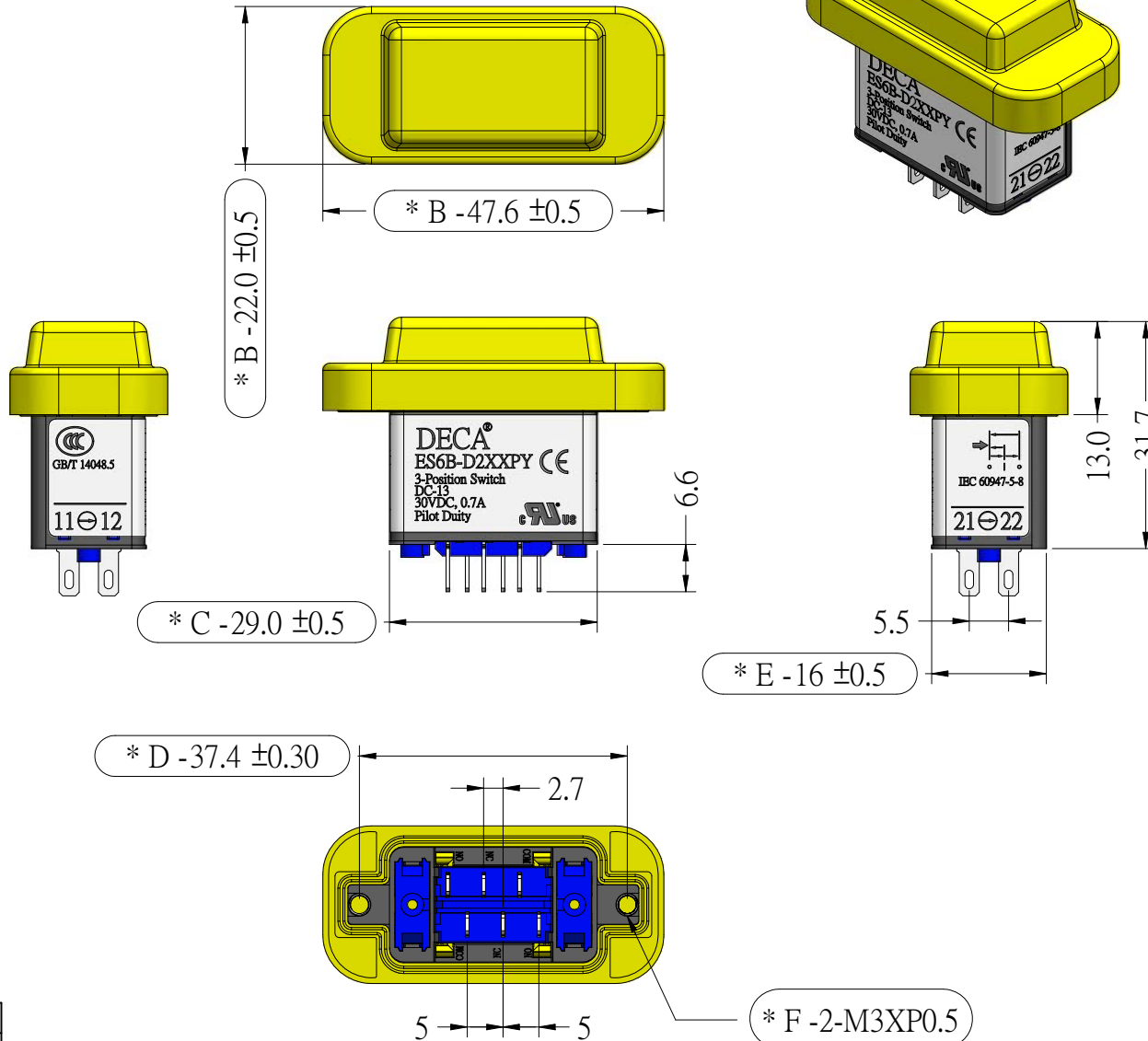
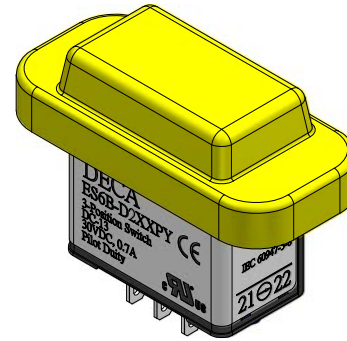
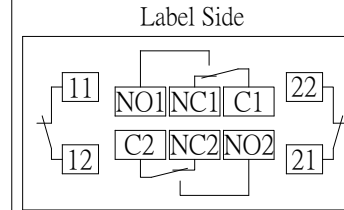


ES6B -D2XXPY

Y : silicon rubber, Yellow
 P : With rubber cover
 X : 0 contact Button Push Monitor Switch
 X : 0 contacts Button Return Monitor Switch
 2 : 2 contacts 3-position Switch
 ES6B: Type

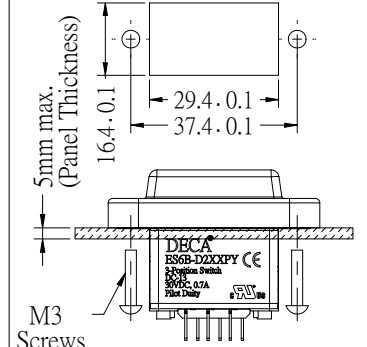


Terminal Circuit Diagrams (Bottom View)



* 3-position Switch / 2contacts
 Use NO and C
 (NC terminal is not used)

Mounting Hole Layout



* Mounting Screws : M3*P0.5

Degree of protection : IP-65

Ratings : IEC 60947-5-8 3C GB/T14048.5
 AC-15 250 VAC / 0.5A DC-13 30 VDC / 0.7A
 UL 508 E300 R150

Durability : Mechanical 1,000,000 operations min. (1-2-1)
 100,000 operation min. (1-2-3-1)
 Electrical 100,000 operations min.

Contact resistance : 50mΩ max.

Insulation resistance : 100MΩ min. (at VDC 500)

Dielectric strength : 1.5 KV min

Ambient operating temperature range : -25 to +60°C (with no icing)

Ambient operating humidity : 45~85%RH

DECA SwitchLab Inc.			PART NAME	UNIT	SCALE
DESIGNER	CHECK	APPROVE	Enabling Switch	MM	SHEET
DATE	DATE	DATE	DRAWING NO.		
2022/01/10	2022/01/10	2022/01/10	ES6B-D2XXPY		1/1