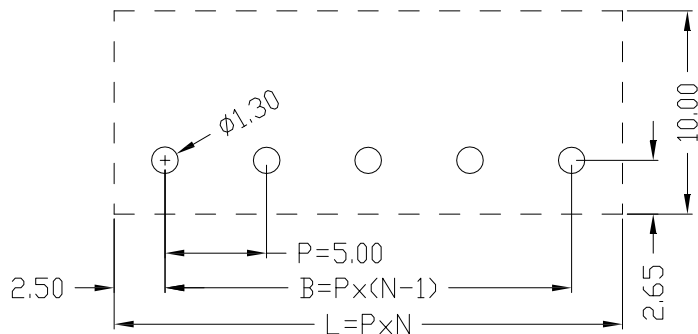
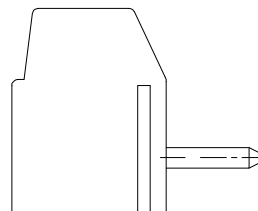
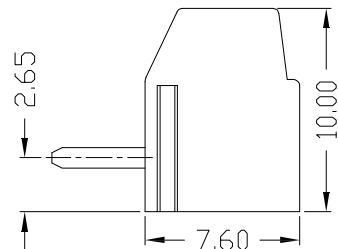
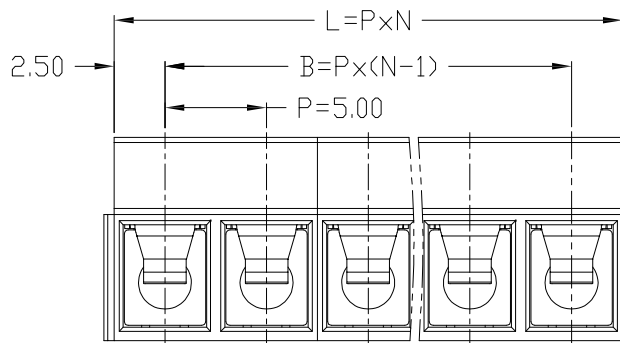
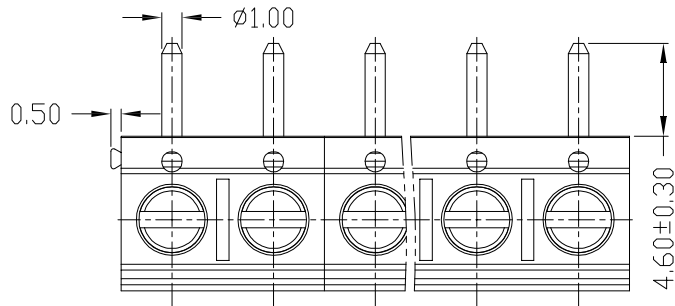


The product using material and processing must conform to the "WI-PZ-001"HSF technical standard control requirements

RoHS



PCB LAYOUT

技术参数 (Technical Data)

项目 (Item)	UL	LEC
额定电气参数 (Rated Electricity Parameters)	300V/15A	250V/17.5A
压线范围 (Wire Range)	22~12AWG	1.5mm ²
公频耐压 (Frequency Voltage)	AC 2500V	
冲击耐压 (Rated Surge Voltage)	4000V	
绝缘阻抗 (Insulation Resistance)	DC500V 500MΩ above	
接触电阻 (Contact Resistance)	≤8mΩ	
剥线长度 (Stripping Length)	5~6mm	
工作温度 (Temperature)	-40℃~+105℃	
材料和电镀 (Material and Plating)		
绝缘材料 (Housing)	PBT (UL94 V-0)	
触点材料 (Contact)	铜合金, 镀锡 (Copper alloy, Sn Plated)	
螺丝 (Screws)	钢, 镀锌 (Steel, Zn plated)	
弹片 (Spring)	不锈钢 (Stainless)	

产品命名编码:
(Product Number Code):

WLGS002R-5.0-XXP-1Y

产品型号 (Series NO.)

极数 (NO. of Poles)

塑体颜色 (Housing Color)

- 1: 单倍间距 (Single Pitch)
- 2: 双倍间距 (Double Pitch)

- 7: 透明色 (Transparent)
- 8: 白色 (White)
- 9: 黄色 (Yellow)
- Y: 多种颜色 (Mixed Color)

P=5.0mm, N为孔位数 (N for hole digits), 有效位数为 (Significant Digits): 02P, 03P~XXP

N	02P	03P	04P	05P	06P	07P	08P	09P	10P	11P	12P	13P
L	10.00	15.00	20.00	25.00	30.00	35.00	40.00	45.00	50.00	55.00	60.00	65.00
B	5.00	10.00	15.00	20.00	25.00	30.00	35.00	40.00	45.00	50.00	55.00	60.00
N	14P	15P	16P	17P	18P	19P	20P	21P	22P	23P	24P	...
L	70.00	75.00	80.00	85.00	90.00	95.00	100.00	105.00	110.00	115.00	120.00	
B	65.00	70.00	75.00	80.00	85.00	90.00	95.00	100.00	105.00	110.00	115.00	

REV.	REVISION RECORD	DATE		GENERAL TOLERANCES		SCALE: 1:1	NAME	DATE	PART.NO: WLGS002R-5.0-XXP-1Y	DWG.NO: ENDE05		
AO	NEW RELEASE	21.12.29		LINEAR	ANGLES		Ximei_Yang	21.12.29				
			0.0±0.35	X°REF±6'		Han_Gao	21.12.29					
			UNIT:mm	0.00±0.25	X'±3'							
			SIZE: A4	0.000±0.10	X'X' ±2'	DRAWN	Zhonghao_Che	21.12.29	TITLE: PCB螺钉式接线端子 间距5.00mm		REV: A0	SHEET: 1/1