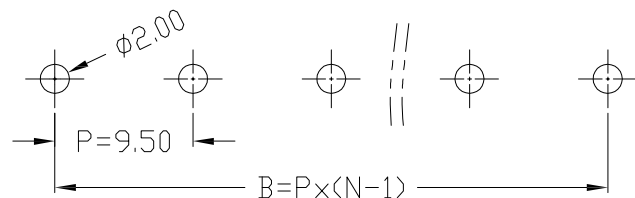
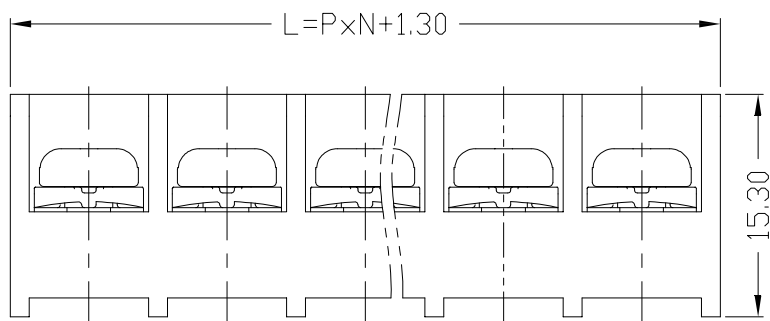
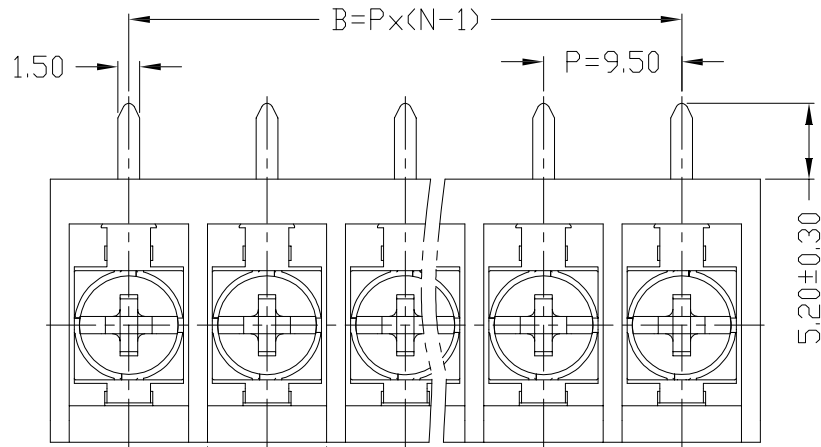


The product using material and processing must conform to the "WI-PZ-001"HSF technical standard control requirements

RoHS



技术参数 (Technical Data)

项目 (Item)	UL	IEC
额定电气参数 (Rated Electricity Parameters)	300V/20A	630V/32A
压线范围 (Wire Range)	22~12AWG	4.0mm ²
工频耐压 (Frequency Voltage)	AC 2500V	
冲击耐压 (Rated Surge Voltage)	6000V	
绝缘阻抗 (Insulation Resistance)	DC500V 500MΩ above	
接触电阻 (Contact Resistance)	≤8mΩ	
剥线长度 (Stripping Length)	6~7mm	
工作温度 (Temperature)	-40℃~+105℃	
材料和电镀 (Material and Plating)		
绝缘材料 (Housing)	PA66 (UL94 V-0)	
触点材料 (Contact)	铜合金, 镀锡 (Copper alloy, Sn Plated)	
螺丝 (Screws)	钢, 镀镍 (Steel, Nickel plated)	

产品命名编码:
(Product Number Code):

WLGSA9500R-9.5-XXP-1Y

产品型号 (Series NO.)

极数 (NO. of Poles)

塑体颜色 (Housing Color)

- 1: 单倍间距 (Single Pitch)
- 2: 双倍间距 (Double Pitch)

- 1: 绿色 (Green)
- 2: 蓝色 (Blue)
- 3: 黑色 (Black)
- 4: 灰色 (Grey)
- 5: 橙色 (Orange)
- 6: 红色 (Red)
- 7: 透明色 (Transparent)
- 8: 白色 (White)
- 9: 黄色 (Yellow)
- Y: 多种颜色 (Mixed Color)

P=9.5mm, N为孔位数 (N for hole digits), 有效位数为 (Significant Digits): 02P~24P

N	02p	03p	04p	05p	06p	07p	08p	09p	10p	11p	12p	13p
L	20.30	29.80	39.30	48.80	58.30	67.80	77.30	86.80	96.30	105.80	115.30	124.80
B	9.50	19.00	28.50	38.00	47.50	57.00	66.50	76.00	85.50	95.00	104.50	114.00
N	14p	15p	16p	17p	18p	19p	20p	21p	22p	23p	24p	...
L	134.30	143.80	153.30	162.80	172.30	181.80	191.30	200.80	210.30	219.80	229.30	
B	123.50	133.00	142.50	152.00	161.50	171.00	180.50	190.00	199.50	209.00	218.50	

REV.	REVISION RECORD	DATE	PCB LAYOUT	GENERAL TOLERANCES	SCALE: 1:1	NAME	DATE	PART.NO:	DWG.NO:	
AO	NEW RELEASE	21.12.29		LINEAR: 0.00±0.25 ANGLES: X°REF±6°	APPROVED	Ximei_Yang	21.12.29	WLGSA9500R-9.5-XXP-1Y	ENDE05	
			UNIT:mm	0.00±0.25 X°±3°	DESIGNER	Han_Gao	21.12.29	TITLE:	 万连科技 WanLian Technology Co., Ltd	
			SIZE: A4	0.000±0.10 X°X' ±2°	DRAWN	Zhonghao_Che	21.10.12	栅栏式接线端子 间距9.50mm 弯针		
									REV: A0	SHEET: 1/1