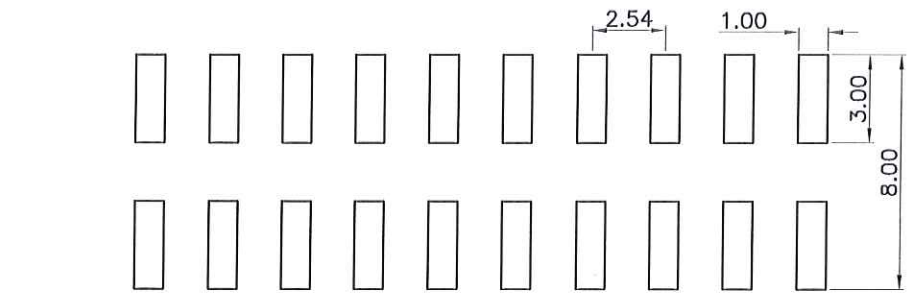
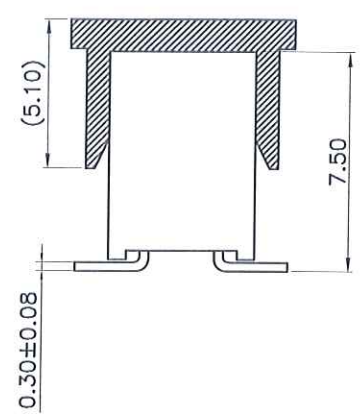
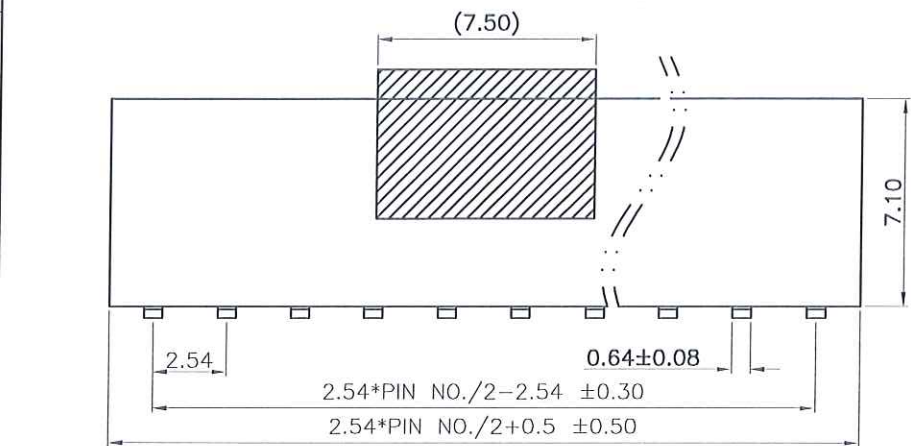
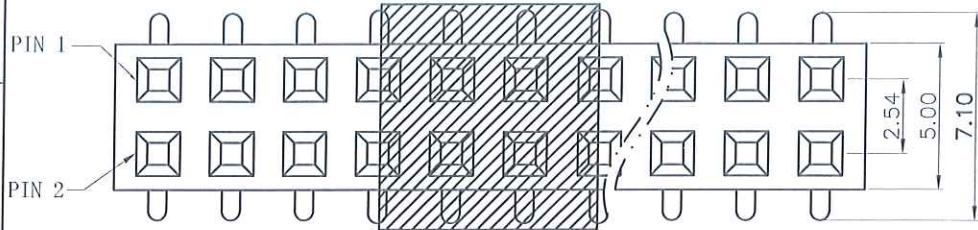


The product using material and processing must conform to the "WI-PZ-001"HSF technical standard control requirements

RoHS



RECOMMENDED P. C. B LAYOUT

P. C. B TOLERANCE: ±0.05

NOTE:

- 1.MATERIAL SPECIFICATION:
  - 1-1.HOUSING: PA6T,UL94V-0
  - 1-2. CAP: LCP,UL94V-0
  - 1-3.CONTACTS: BRASS
- 2.PLATING SPECIFICATION:
  - 2-1.CONTACTS: GOLD FLASH/TIN OVER NICKEL
- 3.ELECTRICAL PERFORMANCE:
  - 3-1.CURRENT RATING: 3A
  - 3-2.CONTACT RESISTANCE: 30 mΩ MAX
  - 3-3.INSULATION RESISTANCE: 1000MΩ Min
  - 3-4.DIELECTRIC WITHSTANDING : 500V
- 4.ENVIRONMENTAL PERFORMANCE:
  - 4-1.OPERATING TEMPERATURE: -40°C~+105°C.
- 5.PACKAGE SPEC: REEL

6.P/N:

FH2541 71 F 0-2 XX 2 X X X 01

SERIES NO:

HEIGHT:

71: 7.1mm

MALE FEMALE:

F-FEMALE

ANGLE:

0-180°

ROW NO:

2-DOUBLE ROW

PIN Q' PY:

02~80

HOUSING:  
7-PA6T

COLOR:  
A-BLACK

PLATING:  
A-ALL AU G/F

TERMIPOINT:  
2-SMT



REV.	REVISION RECORD	DATE	GENERAL TOLERANCES		SCALE:	NAME	DATE	PART.NO:	DWG.NO:	 WanLian Technology Co., Ltd	
A0	NEW RELEASE	21.10.15	LINEAR	ANGLES	1:1			FH254171F0-2XX2XXX01	ENDE05		
A2	UPDATED LID MATERIAL TO: LCP	25.04.02	0.0±0.35	X'REF±6°	APPROVED		25.4.2	TITLE: Pitch 2.54mm 180° 双排7.1 SMT U型排母			
			0.00±0.25	X'±3°	DESIGNER		25.4.02				
			0.000±0.10	X'X' ±2°	DRAWN		25.04.02				
			UNIT:mm							REV: A1	SHEET: 1/1