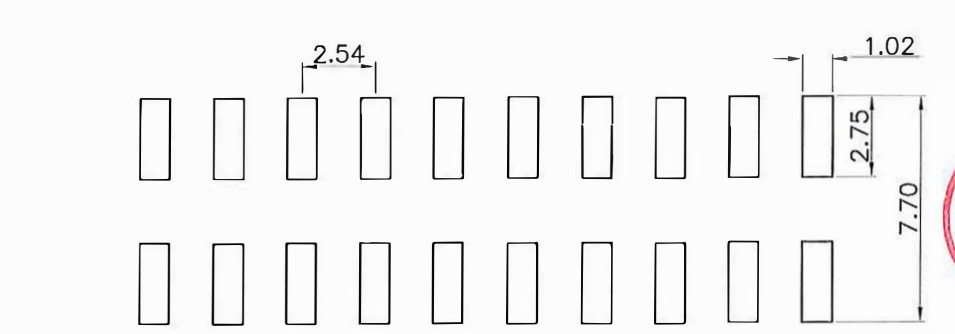
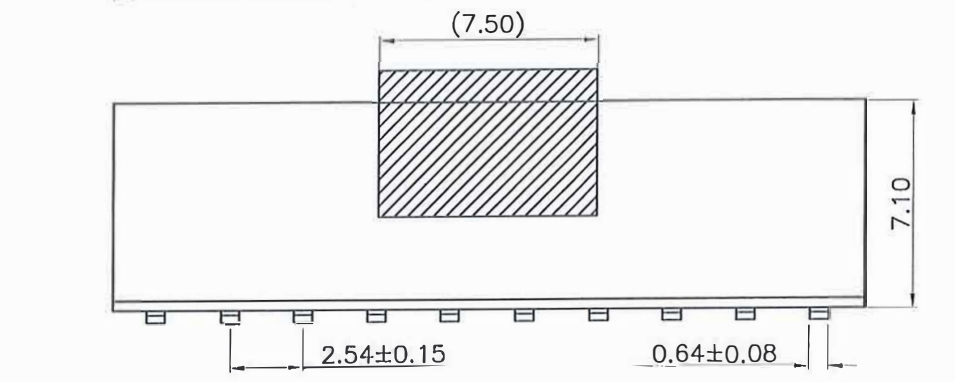
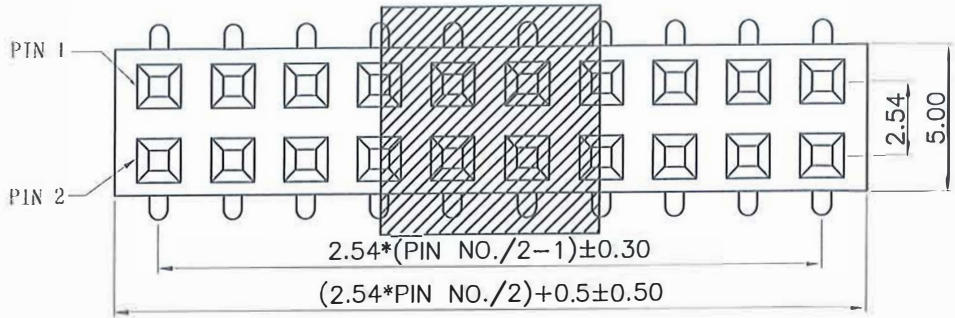
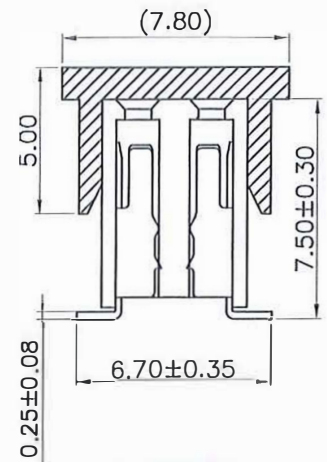


The product using material and processing must conform to the "WI-PZ-001"HSF technical standard control requirements

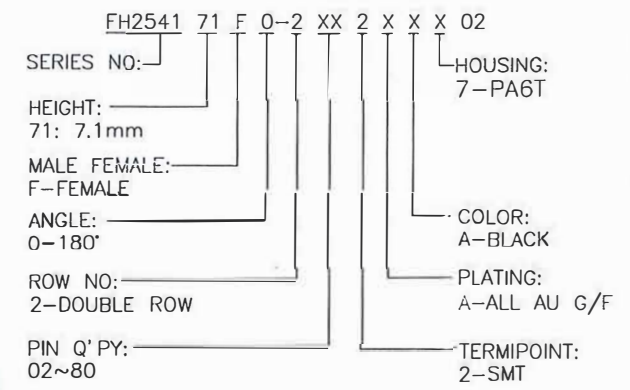
RoHS



RECOMMENDED P. C. B LAYOUT  
P. C. B TOLERANCE: ±0.05



- NOTE:
- MATERIAL SPECIFICATION:
    - 1-1.HOUSING: PA6T,UL94V-0
    - 1-2. CAP: LCP,UL94V-0  $\Delta$
    - 1-3.CONTACTS: BRASS
  - PLATING SPECIFICATION:
    - 2-1.CONTACTS: GOLD FLASH/TIN OVER NICKEL
  - ELECTRICAL PERFORMANCE:
    - 3-1.CURRENT RATING: 3A
    - 3-2.CONTACT RESISTANCE: 30 mΩ MAX
    - 3-3.INSULATION RESISTANCE: 1000MΩ Min
    - 3-4.DIELECTRIC WITHSTANDING : 500V
  - ENVIRONMENTAL PERFORMANCE:
    - 4-1.OPERATING TEMPERATURE: -40°C~+105°C.
  - PACKAGE SPEC: REEL
  - P/N:



REV.	REVISION RECORD	DATE	UNIT	GENERAL TOLERANCES	SCALE:	NAME	DATE	PART.NO:	DWG.NO:	
A0	NEW RELEASE	21.10.15	mm	LINEAR	1:1	APPROVED	25.4.2	FH254171F0-2XX2XXX02	ENDE05	
A1	UPDATE PACKING QUANTITY	23.10.10		0.0±0.35	ANGLES					DESIGNER
A2	UPDATED LID MATERIAL TO: LCP	25.04.02	A4	0.00±0.25	DRAWN	25.04.02	Pitch 2.54mm 180° 双排16.7 SMT U型排母	REV: A2	SHEET: 1/2	
			0.000±0.10	X'±3°						

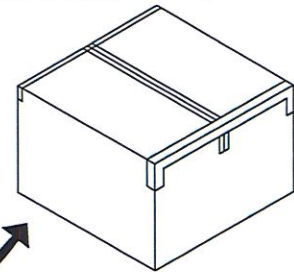
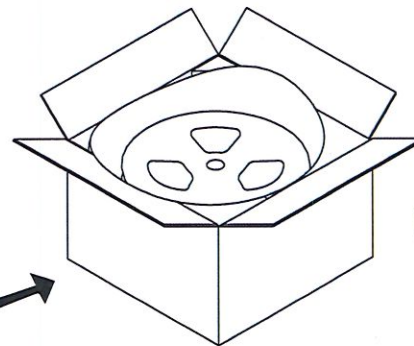
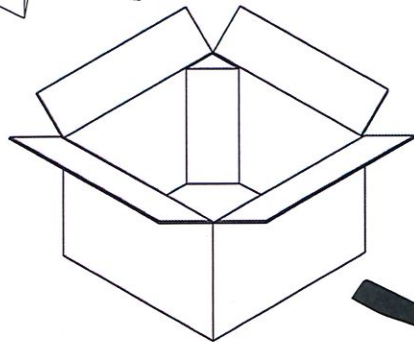
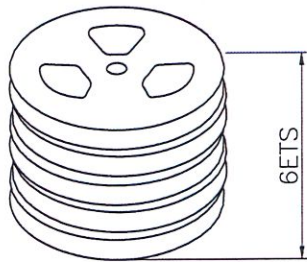
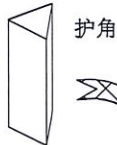
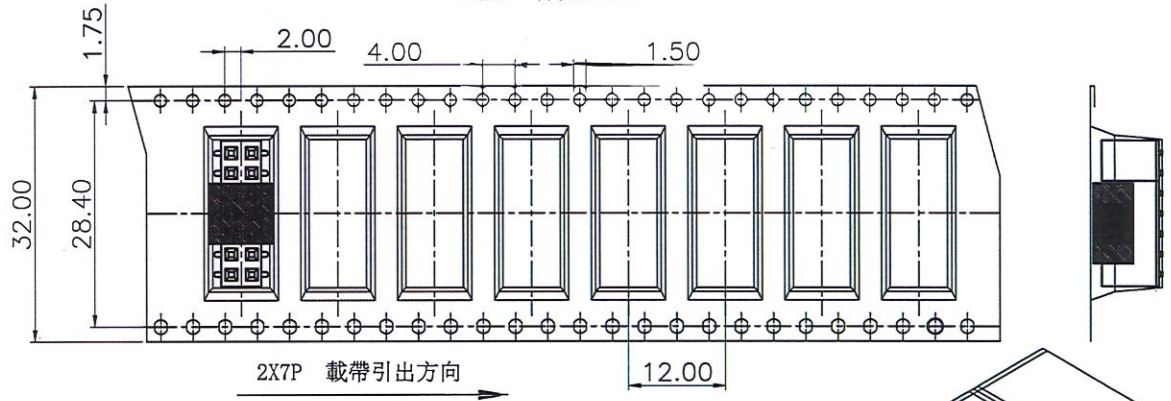
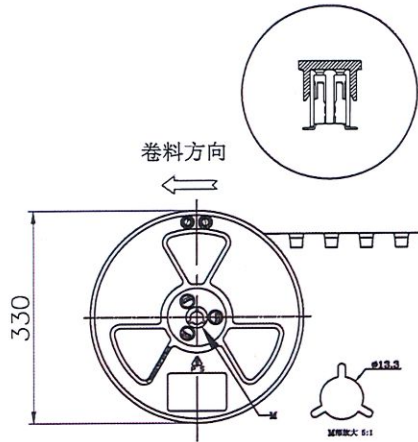
The product using material and processing must conform to the "WI-PZ-001" HSF technical standard control requirements



NOTE:


- 1、成品组装完并OQ检查完后、将其装入承载带内、同时用封装胶带冷封
- 2、检查REEL板状卷带是否松动，如有松动需要重新贴紧
- 3、全检OK后、将REEL装入PE袋并放入一包干燥剂
- 4、每个REEL上必须贴上料号以及数量
- 5、产品放入REEL时前后各空16PCS不放产品
- 6、每盘装产品600PCS，每箱装6盘，每一外箱装产品600\*6=3600PCS
- 7、保护带:材质为PET;透明色;
- 8、上带:材质为PET;透明色;冷风自粘带
- 9、Reel卷盘:PS材质;蓝色

RoHS



Carton B surface

纸箱规格: K-K 338\*338\*260mm

REV.	REVISION RECORD	DATE	UNIT: mm	GENERAL TOLERANCES		SCALE: 1:1	NAME	DATE	PART.NO:	DWG.NO:	 WanLian Technology Co., Ltd
A0	NEW RELEASE	21.10.15		LINEAR	ANGLES	APPROVED			FH254171F0-2142XXX02	ENDE05	
A1	依实物更新包装数量	23.10.10	0.0±0.35	X° REF±6°	DESIGNER						REV: A1 SHEET: 2/2
A2	UPDATED LID MATERIAL TO: LCP	25.04.02	0.00±0.25	X° ±3°	DRAWN						
			SIZE: A4	0.000±0.10	X° X' ±2°				Pitch 2.54mm 180° 双排H6.7 SMT U型 2X7P 排母		