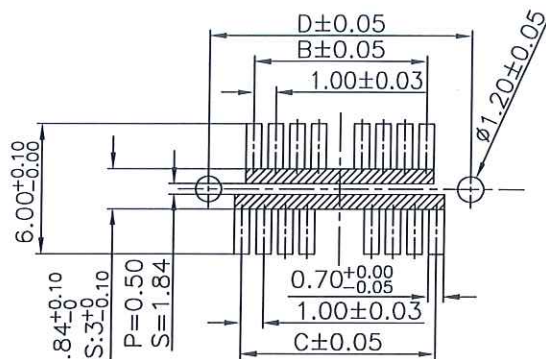
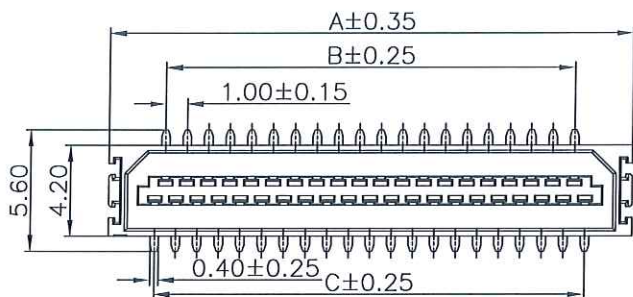


The product using material and processing must conform to the "WI-PZ-001" HSF technical standard control requirements

RoHS+HF



RECOMMENDED PCB LAYOUT(TOP VIEW)

9~25POS: 1.84±0.10
31.41.51POS: 3±0.10



- NOTE:
- MATERIAL SPECIFICATION:
 - HOUSING: LCP, UL94V-0 COLOUR: WHITE
 - CONTACTS: PHOSPHOR BRONZE
 - PLATING SPECIFICATION:
 - CONTACTS: SN PLATED OR AU PLATED ON CONTACT AREA.
 - MECHANICAL PERFORMANCE:
 - INSERTION FORCE: 0.12kgf MAX
 - REMOVAL FORCE: 0.08kgf MIN
 - DURABILITY: 30 CYCLES.
 - ELECTRICAL PERFORMANCE:
 - RATED CURRENT: 0.5A
RATED VOLTAGE: 150V AC
 - INSULATION RESISTANCE: 500MΩ MIN
CONTACT RESISTANCE: 50mΩ MAX.
 - WITHSTANDING VOLTAGE: 250V AC
 - ENVIRONMENTAL PERFORMANCE:
 - OPERATING TEMPERATURE: -45°C~+125°C.
 - PACKAGE SPEC: REEL
 - P/N:

B1001 33 M 0-2 XX 2 X X 201

SERIES NO: _____ COLOR: A-BLACK
K-WHITE
S-NATURE

HEIGHT: _____ PLATING: A-ALL AU G/F
C-BRIGHE TIN
1-G/F

33: 3.3mm

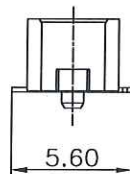
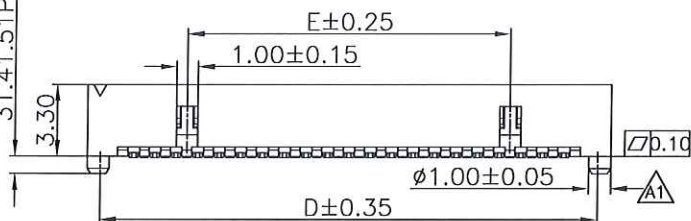
MALE FEMALE: _____ TERMIPOINT: 2-SMT
M-MALE

ANGLE: _____ PIN Q'PY: 09~51
0-180°

ROW NO: _____
2-DOUBLE ROW

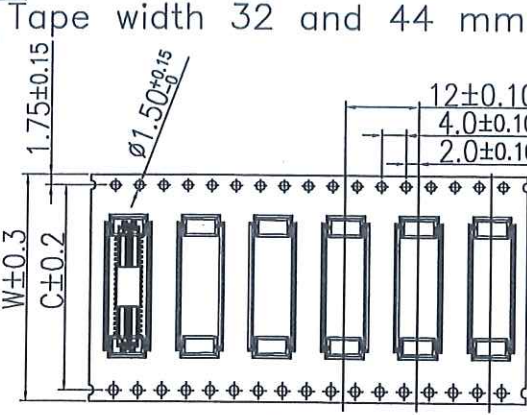
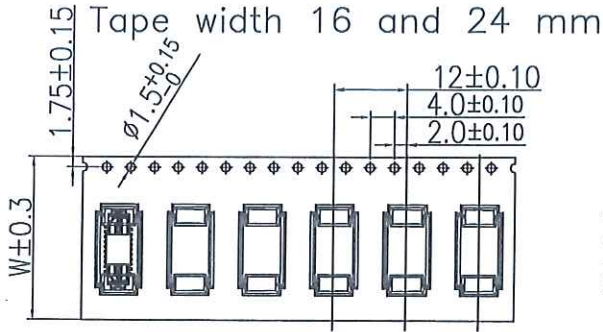
	A	B	C	D	E
9 PIN	8.3	3	4	7.1	0
11 PIN	9.3	4	5	8.1	0
13 PIN	10.3	5	6	9.1	0
15 PIN	11.3	6	7	10.1	0
17 PIN	12.3	7	8	11.1	0
19 PIN	13.3	8	9	12.1	0
21 PIN	14.3	9	10	13.1	5
23 PIN	15.3	10	11	14.1	6
25 PIN	16.3	11	12	15.1	7
31 PIN	19.3	14	15	18.1	10
41 PIN	24.3	19	20	23.1	15
51 PIN	29.3	24	25	28.1	20

9 to 25POS: 1
31.41.51POS: 0.8

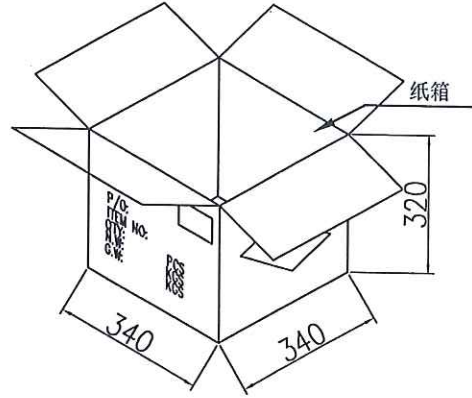
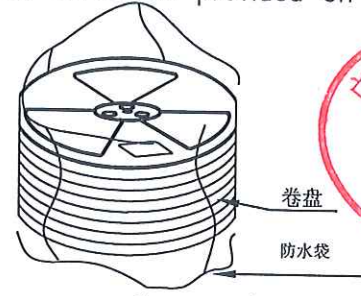


REV.	REVISION RECORD	DATE	GENERAL TOLERANCES		SCALE:	NAME	DATE	PART.NO:	DWG.NO:
A0	NEW RELEASE	21.01.13	LINEAR	ANGLES	1:1	张永波	25.1.6	B100133M0-2XX2XX201	ENDE05
A1	RESIZE COLUMN	25.01.03	0.0±0.35	X'REF±6°	APPROVED	J-8	25.01.06	Board to Board Pitch1.0 H3.3mm单槽双排带柱无焊片 SMT型公座	WanLian Teconology Co., Ltd
			0.00±0.25	X'±3'	DESIGNER	黄永波	25.01.06		
			0.000±0.10	X'X'±2'	DRAWN	黄永波	25.01.06		
			UNIT: mm						REV: A1
			SIZE: A4						SHEET: 1/2

The product using material and processing must conform to the "WI-PZ-001"HSF technical standard control requirements

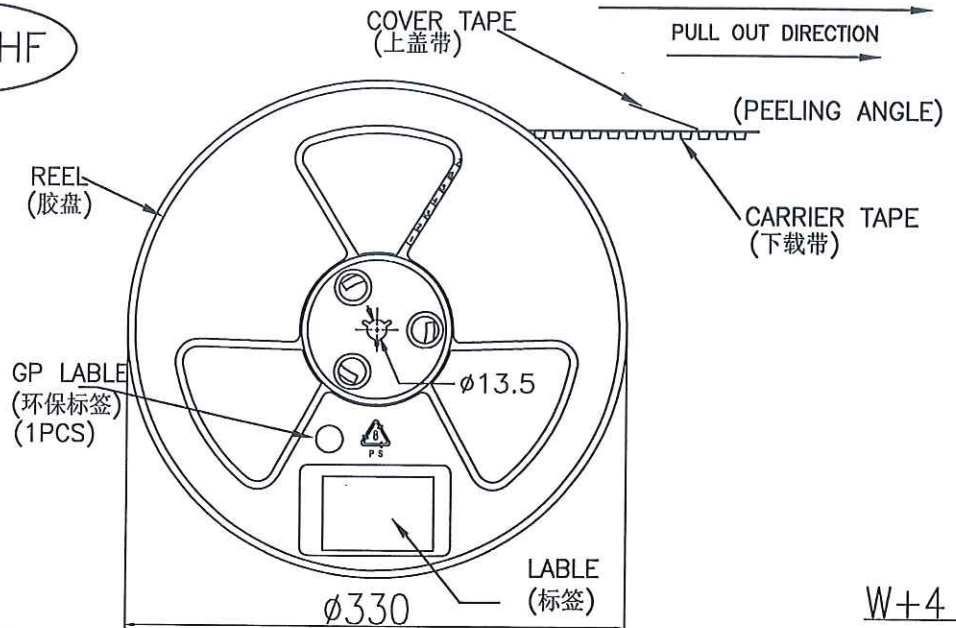


- NOTE:
- 1.10 Sprocket hole pitch cumulative tolerance±0.20.
 - 2.Carrier camber is within 1mm in 100mm.
 - 3.Material: black conductive polystyrene alloy.
 - 4.Material Thickness: 0.3±0.05mm.
 - 5.For tape width(dim W)16 and 24mm pilot holes are provided on one sides.
For tape width(dim W)32, 44 and 56mm pilot holes are provided on both sides.



Circuit	W	C	PCS /REEL	REEL/CARTON	SUM(PCS)
11~17PIN	24	-	1000	11	11000
19~31PIN	32	28.4	1000	8	8000
41PIN	44	40.4	1000	6	6000

RoHS+HF



REV.	REVISION RECORD	DATE	GENERAL TOLERANCES	SCALE:	NAME	DATE	PART.NO:	DWG.NO:
A0	NEW RELEASE	21.01.13	LINEAR	1:1	8/2/16	25.1.6	PACKING DRAW	ENDE05
A1	RESIZE COLUMN	25.01.03	ANGLES	APPROVED	J/18	25.01.06	TITLE:	WanLian Teconology Co., Ltd
			UNIT:mm	DESIGNER	黄朝	25.01.06	BOARD TO BOARD PITCH1.0 H3.3MM SMT	REV: A0
			SIZE: A4	DRAWN	黄朝	25.01.06	MALE REEL PACKING DRAW	SHEET: 2/2

