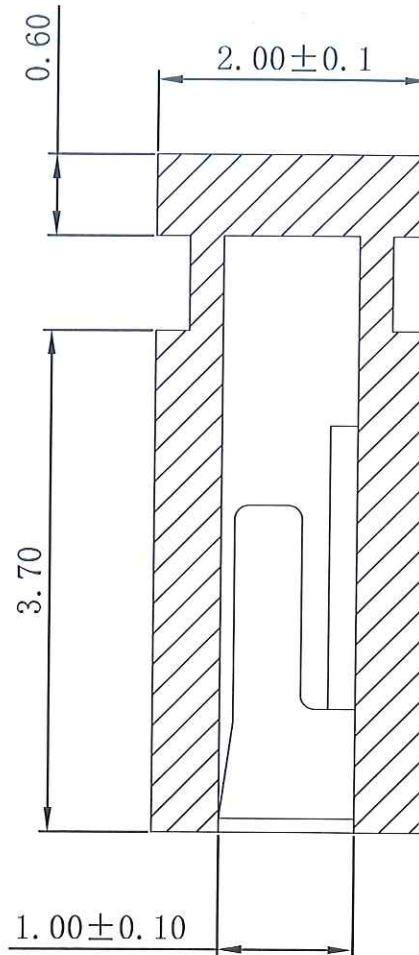
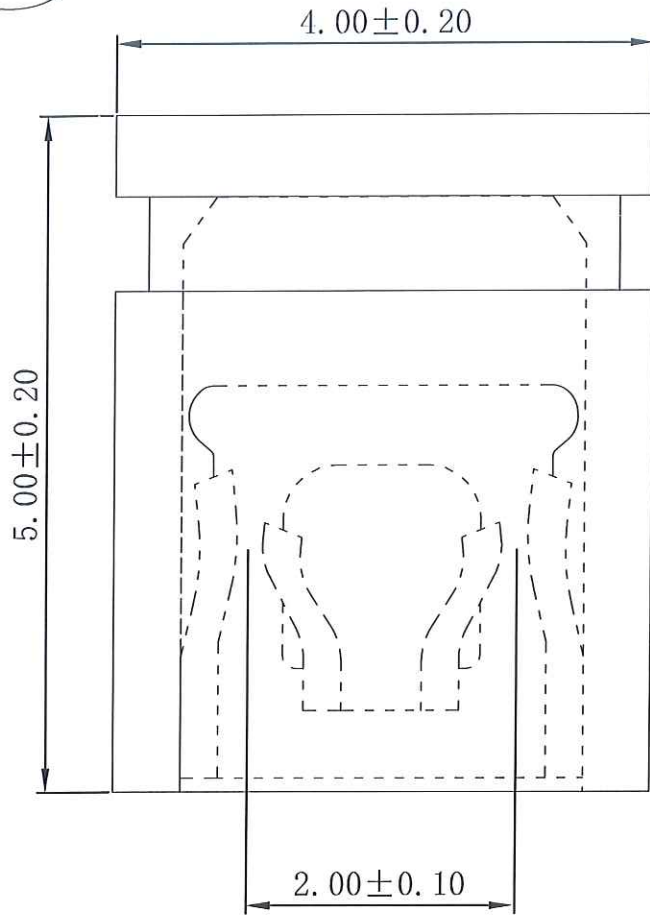


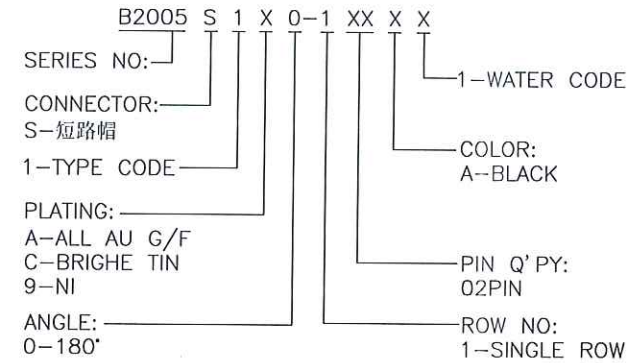
The product using material and processing must conform to the "WI-PZ-001"HSF technical standard control requirements

RoHS



NOTE:

- 1.MATERIAL SPECIFICATION:
 - 1-1.HOUSING: PBT,UL94V-0
 - 1-2.CONTACTS: BRASS
- 2.PLATING SPECIFICATION:
 - 2-1.CONTACTS:Nickel plating bottom 50U "Min
- 3.ELECTRICAL PERFORMANCE:
 - 3-1.CURRENT RATING: 1.5A
 - RATED VOLTAGE : 250V AC/DC
 - 3-2.CONTACT RESISTANCE: 20 mΩ MAX
 - 3-3.INSULATION RESISTANCE: 1000MΩ Min
 - 3-4.DIELECTRIC WITHSTANDING : 1000V
- 4.ENVIRONMENTAL PERFORMANCE:
 - 4-1.OPERATING TEMPERATURE: -40°C~+105°C.
- 5.P/N:



REV.	REVISION RECORD	DATE	GENERAL TOLERANCES		SCALE: 1:1	NAME	DATE	PART.NO:	DWG.NO:	 WanLian Teconology Co., Ltd
A0	NEW RELEASE		LINEAR	ANGLES	APPROVED	张永平	25.2.5	B2005S1X0-1XXXX	ENDE05	
			0.0±0.35	X'REF±6°	DESIGNER	李彬	25.02.05	TITLE:		
			UNIT:mm	0.00±0.25	X'±3'	DRAWN	黄恩明	25.02.05	2.00mm短路帽 黑色跳线帽 闭口帽短路块连接器	REV: A0
			SIZE: A4	0.000±0.10	X'X' ±2'					SHEET: 1/1