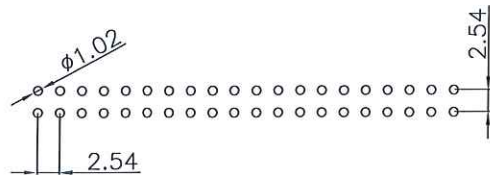
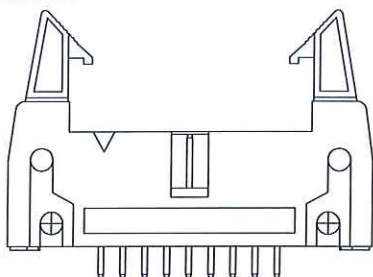


The product using material and processing must conform to the "WI-PZ-001" HSF technical standard control requirements

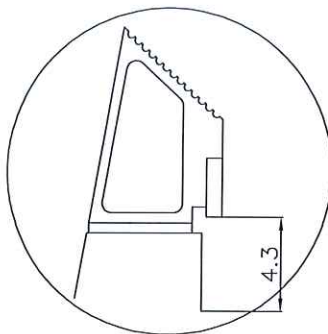
RoHS



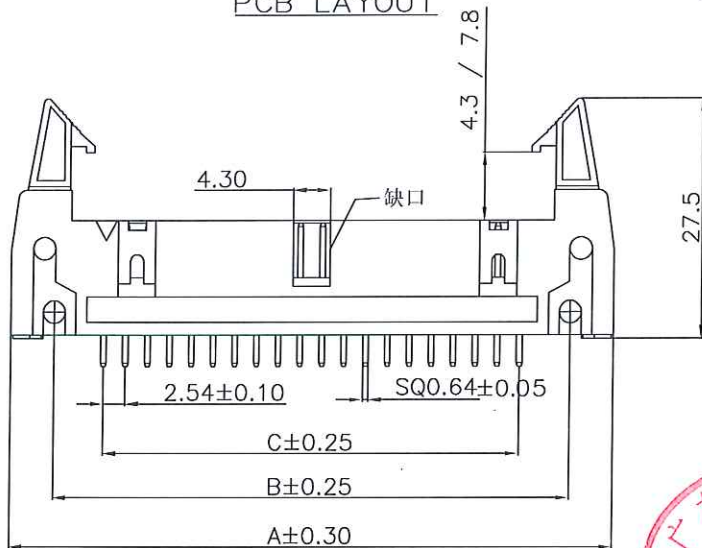
PCB LAYOUT



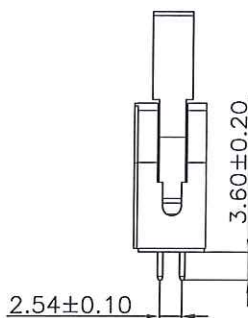
2*3P-2*9P



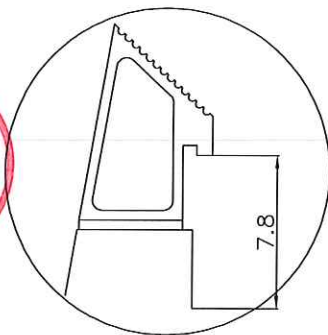
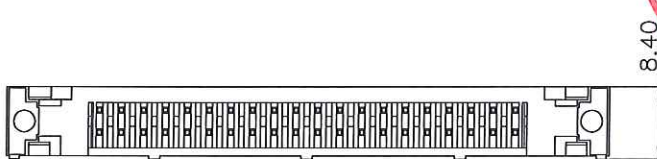
SHORT LATCH(短勾)



2*9P以上



2.54±0.10



LONG LATCH(长勾)

NOTE:
 1.MATERIAL SPECIFICATION:
 1-1.HOUSING: PBT,UL94V-0
 1-2.CONTACTS: BRASS
 2.PLATING SPECIFICATION:
 2-1.CONTACTS:
 TIN/GOLD FLASH PLATED OVER ALL.
 3.MECHANICAL PERFORMANCE:
 3-1.RETENTIVITY FORCE: 0.8KGF/pin min
 3-2.DURABILITY: 250 CYCLES.
 4.ELECTRICAL PERFORMANCE:
 4-1.CURRENT RATING: 3A
 RATED VOLTAGE : 250V AC/DC
 4-2.CONTACT RESISTANCE: 30 mΩ MAX
 4-3.INSULATION RESISTANCE: 1000MΩ Min
 4-4.DIELECTRIC WITHSTANDING : 1000V
 5.ENVIRONMENTAL PERFORMANCE:
 5-1.OPERATING TEMPERATURE: -40°C~+105°C.
 6.PACKAGE SPEC: TRAY
 7.P/N:
 EJ25537 F 0-2 XX 1 X X X
 SERIES NO: _____
 MALE FEMALE: _____
 F-FEMALE
 ANGLE: _____
 0-180°
 ROW NO: _____
 2-DOUBLE ROW
 PIN Q'PY: _____
 04~64
 OPTION:
 1-长勾单缺口
 COLOR:
 A-BLACK
 J-GREY
 S-NATURE
 PLATING:
 A-ALL AU G/F
 C-BRIGHT TIN
 D-MATTE Tin
 TERMIPOINT:
 1-DIP

Ordering Information & Dimensions

Poles	Dimensions (mm)			Poles	Dimensions (mm)		
	A	B	C		A	B	C
2*3P	26.92	16.76	5.08	2*18P	65.02	54.86	43.18
2*4P	29.46	19.30	7.62	2*19P	67.56	57.40	45.72
2*5P	32.00	21.84	10.16	2*20P	70.10	59.94	48.26
2*6P	34.54	24.38	12.70	2*21P	72.64	62.48	50.80
2*7P	37.08	26.92	15.24	2*22P	75.18	65.02	53.34
2*8P	39.62	29.46	17.78	2*23P	77.72	67.56	55.88
2*9P	42.16	32.00	20.32	2*24P	80.26	70.10	58.42
2*10P	44.70	34.54	22.86	2*25P	82.80	72.64	60.96
2*11P	47.24	37.08	25.40	2*26P	85.34	75.18	63.50
2*12P	49.78	39.62	27.94	2*27P	87.88	77.72	66.04
2*13P	52.32	42.16	30.48	2*28P	90.42	80.26	68.58
2*14P	54.86	44.70	32.02	2*29P	92.96	82.80	71.12
2*15P	57.40	47.24	35.56	2*30P	95.50	85.34	73.66
2*16P	59.94	49.78	38.10	2*31P	98.04	87.88	76.20
2*17P	62.48	52.32	40.64	2*32P	100.58	90.42	78.74

REV.	REVISION RECORD	DATE	GENERAL TOLERANCES	SCALE:	NAME	DATE	PART.NO:	DWG.NO:
A0	NEW RELEASE	21.11.17	LINEAR 0.0±0.35 X'REF±6'	1:1	2011.11	20.11.11	EJ25537F0-2XX1XXX	ENDE05
			0.00±0.25 X'±3'	APPROVED	2011.11	20.11.11	TITLE: Pitch 2.54mm 180° 双排 DIP 牛角 PC:3.60MM	WanLian Technology Co., Ltd
			UNIT: mm SIZE: A4	DESIGNER	2011.11	20.11.11	REV: A0	SHEET: 1/2
			0.000±0.10 X'X' ±2'	DRAWN	2011.11	20.11.11		