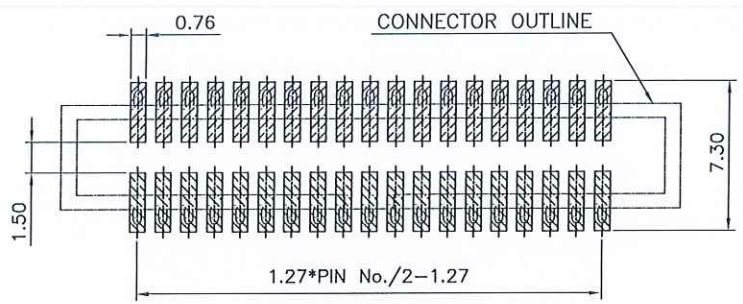
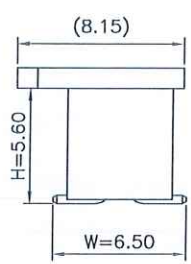
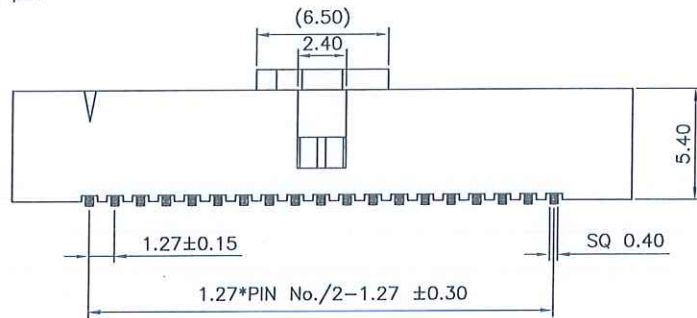
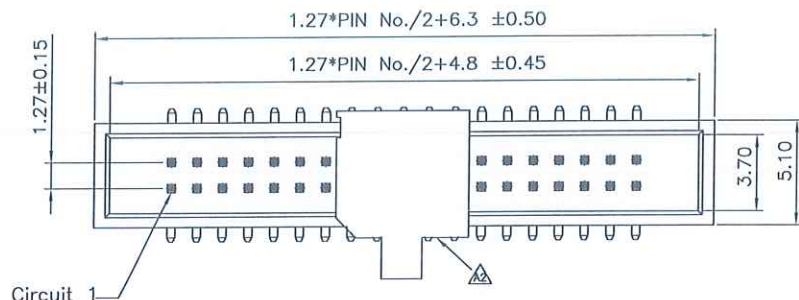
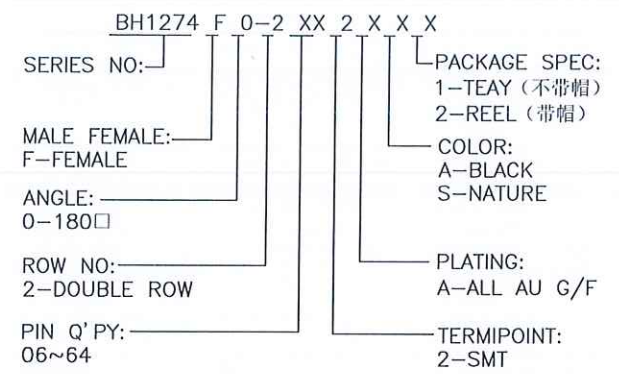


The product using material and processing must conform to the "WI-PZ-001" HSF technical standard control requirements



TOLERANCE: ±0.05
RECOMMENDED PCB LAYOUT
(TOP VIEW)

- NOTE:
- MATERIAL SPECIFICATION:
 - HOUSING: PA6T, UL94V-0
 - CONTACTS: BRASS
 - PLATING SPECIFICATION:
 - CONTACTS: TIN/GOLD FLASH PLATED OVER ALL.
 - ELECTRICAL PERFORMANCE:
 - CURRENT RATING: 1A AC/DC
 - CONTACT RESISTANCE: 20 mΩ MAX
 - INSULATION RESISTANCE: 1000MΩ Min
 - DIELECTRIC WITHSTANDING : 300V
 - ENVIRONMENTAL PERFORMANCE:
 - OPERATING TEMPERATURE: -40°C~+105°C.
 - PACKAGE SPEC: TRAY/REEL
 - P/N:



Dimension Antitheses List		
Item	W	H
Standard	6.5	5.6
Select		

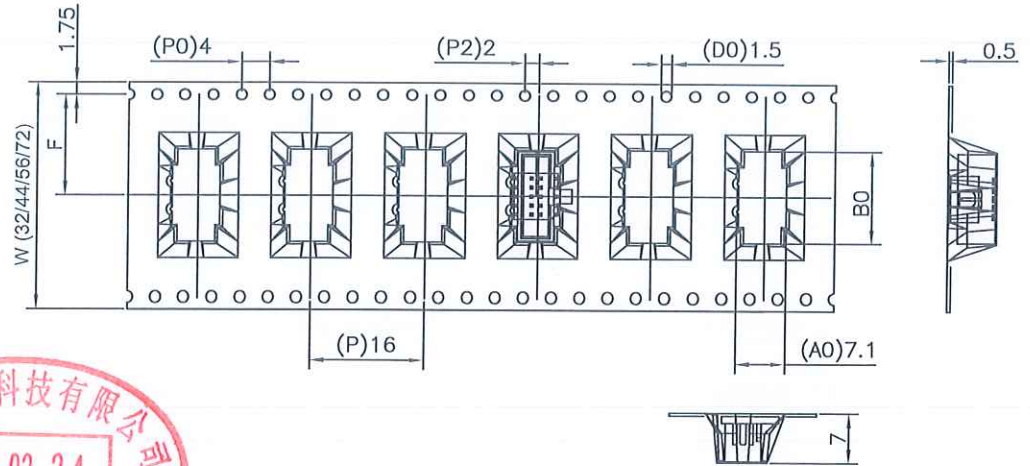
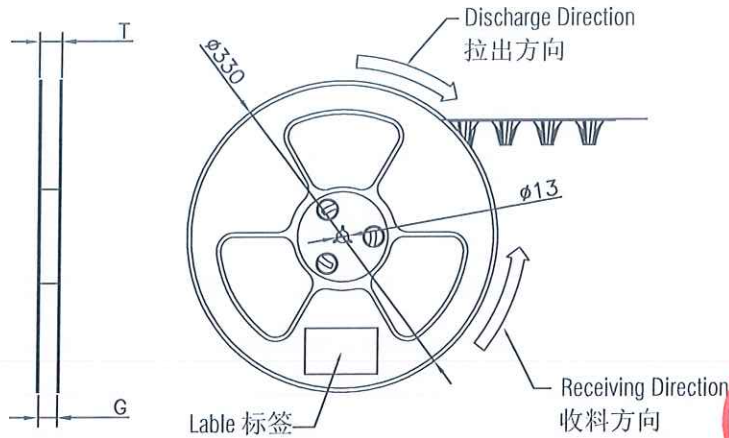
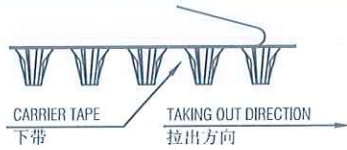
REV.	REVISION RECORD	DATE	GENERAL TOLERANCES	SCALE: 1:1	NAME	DATE	PART.NO:	DWG.NO:
A0	NEW RELEASE	21.11.17	LINEAR				BH1274F0-2XX2XXX	ENDE05
A1	CAP CHANGE	23.12.08	0.0±0.35	APPROVED	8/8/24	26.3.24		
A2	CAP CHANGE	25.04.02	0.00±0.25	DESIGNER	26.03.24			
A3	UPDATE THE PACKAGING DRAWINGS	26.03.24	0.000±0.10	DRAWN	26.03.24			



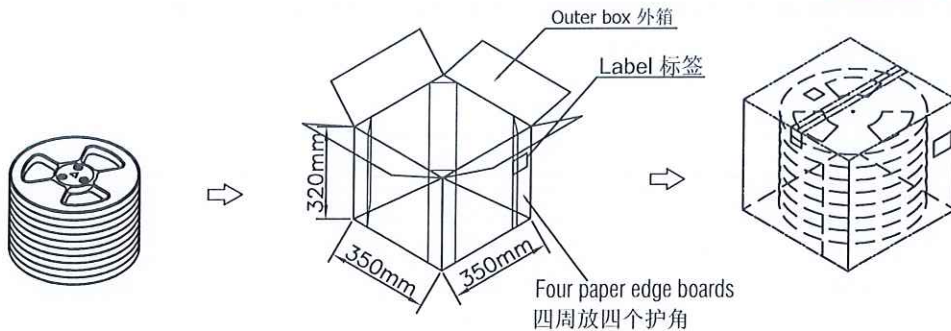
WanLian Technology Co., Ltd
REV: A3 SHEET: 1/3

TITLE: Pitch 1.27mm 180° 双排 SMT+CAP 筒牛
PC: 6.5MM

The product using material and processing must conform to the "WI-PZ-001" HSF technical standard control requirements



- Note:
- Carrier Camber Is Within 1mm In 100mm ;
 - 10 Sprocket Hole Pitch Cumulative Tolerance $\pm 0.2\text{mm}$;
 - Packing length per 13"*24mm reel: 10.08 Meters ;
 - Material: Black PS.
 - Bracer Color: Black ;
 - Tape front loading empty 15Pcs, the tailer loading empty 15Pcs ;
 - Cover Tape: Cold seal ;
 - Carton material: K=K .



REV.	REVISION RECORD	DATE	GENERAL TOLERANCES		SCALE: 1:1	NAME	DATE	PART.NO:	DWG.NO:
A0	NEW RELEASE	21.11.17		LINEAR	APPROVED	8/2/14	20.3.24	BH1274F0-2XX2XXX	ENDE05
A1	CAP CHANGE	23.12.08		ANGLES					
A2	CAP CHANGE	25.04.02	UNIT: mm	0.00 \pm 0.25	DESIGNER	26.03.24	TITLE:	PITCH 1.27MM 180° 双排 SMT+CAP 筒牛 PC:6.5MM 包装图	REV: A3
A3	UPDATE THE PACKAGING DRAWINGS	26.03.24	SIZE: A4	0.000 \pm 0.10	DRAWN	26.03.24			



The product using material and processing must conform to the "WI-PZ-001" HSF technical standard control requirements

RoHS



No. of Positions	T (MAX)	G (MAX)	W	F	B()	REEL /PCS	CARTON /R	CARTON /PCS
2x5P	36.50	32.40	32.00	14.2	12.95	600	8R	4800
2x6P	36.50	32.40	32.00	14.2	14.22	600	8R	4800
2x7P	36.50	32.40	32.00	14.2	15.49	600	8R	4800
2x8P	36.50	32.40	32.00	14.2	16.76	600	8R	4800
2x9P	48.50	44.40	44.00	20.2	18.03	600	6R	3600
2x10P	48.50	44.40	44.00	20.2	19.30	600	6R	3600
2x11P	48.50	44.40	44.00	20.2	20.57	600	6R	3600
2x12P	48.50	44.40	44.00	20.2	21.84	600	6R	3600
2x13P	48.50	44.40	44.00	20.2	23.11	600	6R	3600
2x14P	48.50	44.40	44.00	20.2	24.38	600	6R	3600
2x15P	48.50	44.40	44.00	20.2	25.65	600	6R	3600
2x16P	48.50	44.40	44.00	20.2	26.92	600	6R	3600
2x17P	48.50	44.40	44.00	20.2	28.19	600	6R	3600
2x18P	60.50	56.40	56.00	26.2	29.46	600	5R	3000
2x19P	60.50	56.40	56.00	26.2	30.73	600	5R	3000
2x20P	60.50	56.40	56.00	26.2	32.00	600	5R	3000
2x21P	60.50	56.40	56.00	26.2	33.27	600	5R	3000
2x22P	60.50	56.40	56.00	26.2	34.54	600	5R	3000
2x23P	60.50	56.40	56.00	26.2	35.81	600	5R	3000
2x24P	60.50	56.40	56.00	26.2	37.08	600	5R	3000
2x25P	60.50	56.40	56.00	26.2	38.35	600	5R	3000



REV.	REVISION RECORD	DATE		GENERAL TOLERANCES		SCALE: 1:1	NAME	DATE	PART.NO:	DWG.NO:	
A0	NEW RELEASE	21.11.17		LINEAR	ANGLES	APPROVED			BH1274F0-2XX2XXX	ENDE05	
A1	CAP CHANGE	23.12.08	0.0±0.35	X'REF±6°	DESIGNER	26.3.24		TITLE: PITCH 1.27MM 180° 双排 SMT+CAP 筒牛 PC: 6.5MM 包装图	REV: A3		
A2	CAP CHANGE	25.04.02	UNIT: mm	0.00±0.25	X'±3'	26.03.24				SHEET: 3/3	
A3	UPDATE THE PACKAGING DRAWINGS	26.03.24	SIZE: A4	0.000±0.10	X'X' ±2'	26.03.24					