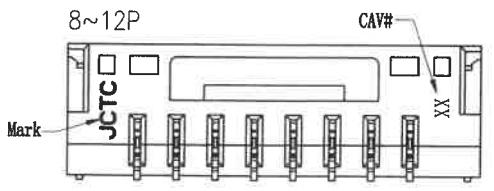
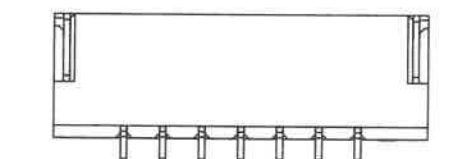
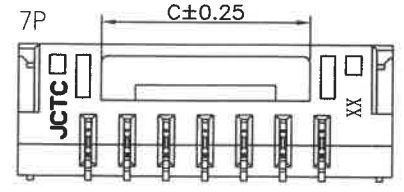
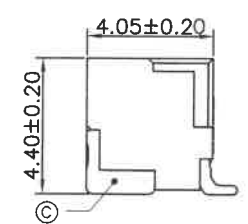
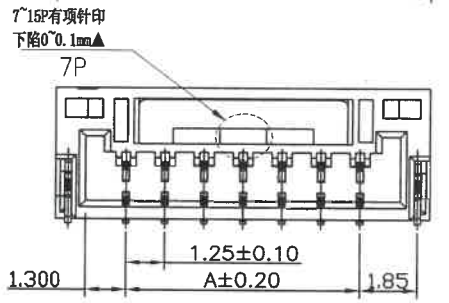
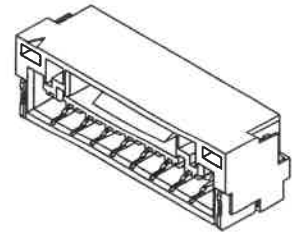
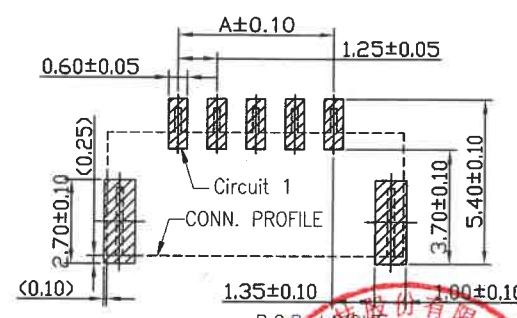
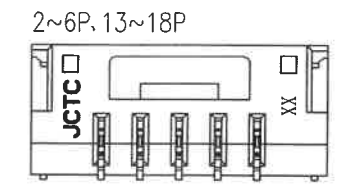
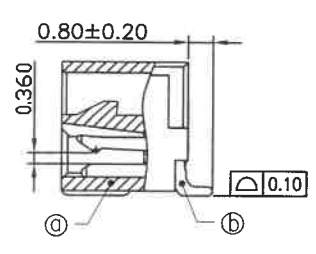
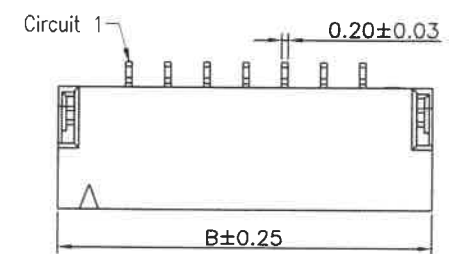


RoHS 2.0

A
B
C
D
E
F
G
H

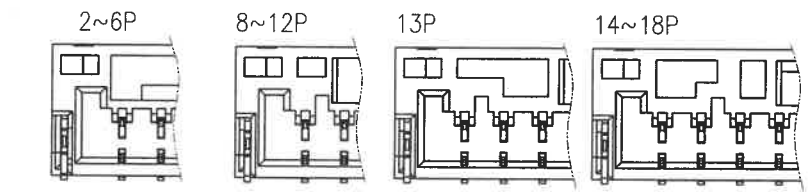
A
B
C
D
E
F
G
H



Specifications:
 Voltage Rating : 50V AC/DC
 Current Rating : 1A AC,DC
 Withstand Voltage : 500V AC/minute
 Contact Resistance : 30mΩ (MAX.)
 Insulation Resistance : 100MΩ (MIN.)
 Contact: Brass/Nickel underplating overall;
 Tin or Au.
 The product using material and processing
 must conform to the "WI-PZ-142" HSP
 technical standard control requirements



Circuits Part No	Dimensions		
	A	B	C
2P	—	5.75	2.05
3P	2.50	7.00	3.30
4P	3.75	8.25	4.50
5P	5.00	9.50	6.70
6P	6.25	10.75	8.65
7P	7.50	12.00	
8P	8.75	13.25	
9P	10.00	14.50	
10P	11.25	15.75	
11P	12.50	17.00	
12P	13.75	18.25	
13P	15.00	19.50	
14P	16.25	20.75	
15P	17.50	22.00	
16P	18.75	23.25	
17P	20.00	24.50	
18P	21.25	25.75	



- ① Series No.
- ② W90 : Side Contact
- ③ No. of Circuits
- ④ S : SMT Type
- ⑤ H2: H2 Type
- ⑥ 3E: Matte Tin-plated
- ⑦ 5A: Gold Flash
- ⑧ 5C: Gold 3u"
- ⑨ HF: Halogen Free
- ⑩ R : Reel pack

PartNo.	Material	Pin Material	Solder Tabs	Color	Temperature Range
11257W90-NP-S-R	Nylon 6T, UL94V-0	Phosphor Bronze/Tin-plated	Brass/Tin-plated	Natural (Beige)	-25°C~+85°C
11257W90-NP-S-HF-R	LCP, UL94V-0	Phosphor Bronze/Tin-plated	Brass/Tin-plated	Natural (Beige)	-25°C~+85°C
11257W90-NP-S-H2-HF-R	LCP, UL94V-0	Phosphor Bronze/Tin-plated	Brass/Tin-plated	Natural (Beige)	-40°C~+105°C
11257W90-NPA-S-HF-R	LCP, UL94V-0	Phosphor Bronze/Tin-plated	Brass/Tin-plated	Black	-25°C~+85°C
11257W90-NPC-S-HF-R	Nylon 10T, UL94V-0	Phosphor Bronze/Tin-plated	Brass/Tin-plated	Red	-25°C~+85°C
11257W90-NP-S-3E-HF-R	LCP, UL94V-0	Phosphor Bronze/Matte Tin-plated	Brass/ Matte Tin-plated	Natural (Beige)	-25°C~+85°C
11257W90-NP-S-H2-5A-HF-R	LCP, UL94V-0	Phosphor Bronze/Gold Flash	Brass/ Gold-flash	Natural (Beige)	-40°C~+105°C
11257W90-NP-S-5A-HF-R	LCP, UL94V-0	Phosphor Bronze/Gold Flash	Brass/ Gold-flash	Natural (Beige)	-25°C~+85°C
11257W90-NP-S-5C-HF-R	LCP, UL94V-0	Phosphor Bronze/Gold 3u"	Brass/ Gold-flash	Natural (Beige)	-25°C~+85°C
11257W90-NP-S-5N-HF-R	LCP, UL94V-0	Phosphor Bronze/Gold Flash	Brass/ Gold-flash	Natural (Beige)	-25°C~+85°C
11257W90-NP-S-H2-3E-HF-R	LCP, UL94V-0	Phosphor Bronze/Matte Tin-plated	Brass/ Matte Tin-plated	Natural (Beige)	-40°C~+105°C

REV.	REVISION RECORD	DATE	GENERAL TOLERANCES		SCALE	NAME	DATE	PART NO.	DWG NO.	
D5	依YB202312290007新增规格	2024. 01. 10		LINEAR	1:1	J-	8/26/25	11257W90-NP-S-XX	ENDE05	
D6	依YB202407290012新增镀金规格	2024. 08. 07		0.0±0.25	ANGLES	APPROVED				
E0	YB202502210003	2025. 03. 06	UNIT: MM	0.00±0.15	DESIGNER	mm	25.08.21	TITLE		
E1	YB202508120933	2025. 08. 21	SIZE: A4	0.000±0.08	DRAWN	ZJH	25.08.21	1.25mm PITCH 90° SMT WAFER		

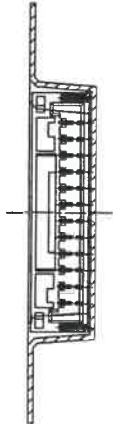
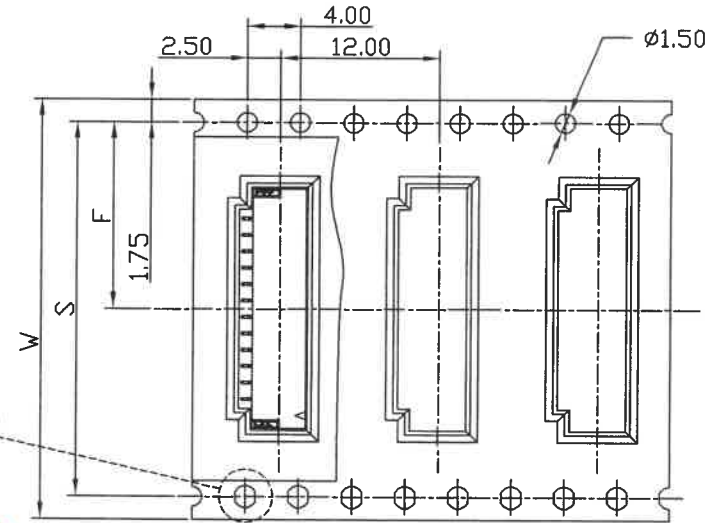
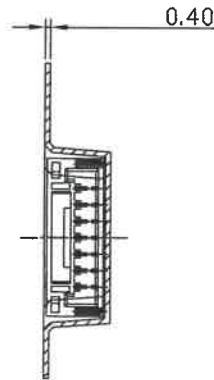
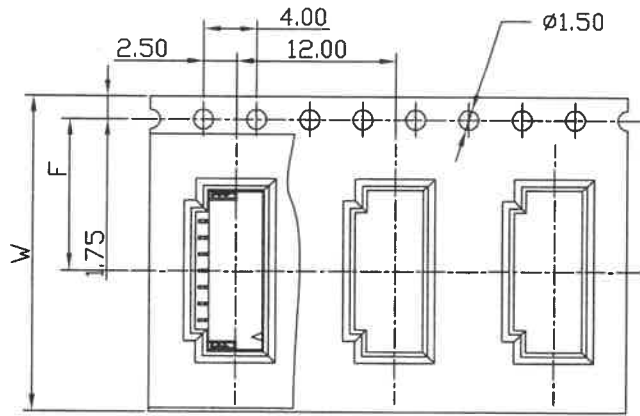
REV	E1	SHEET	1/2
-----	----	-------	-----

1 2 3 4 5 6 7 8

RoHS 2.0

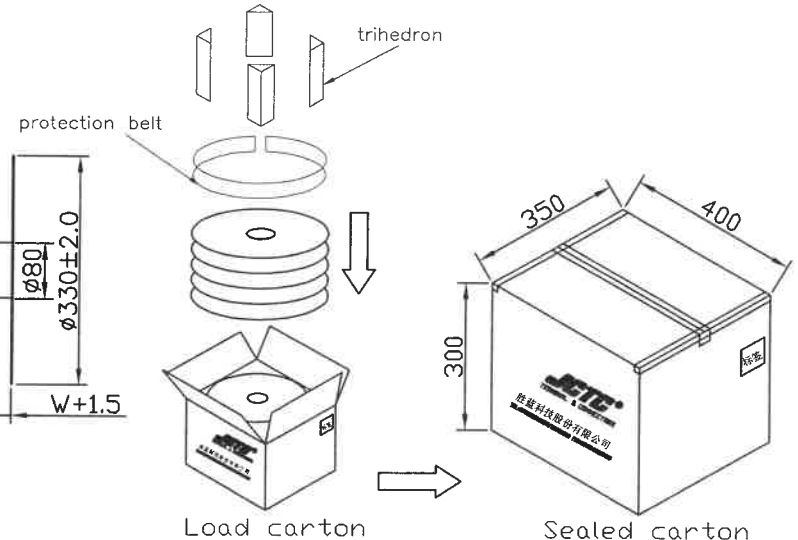
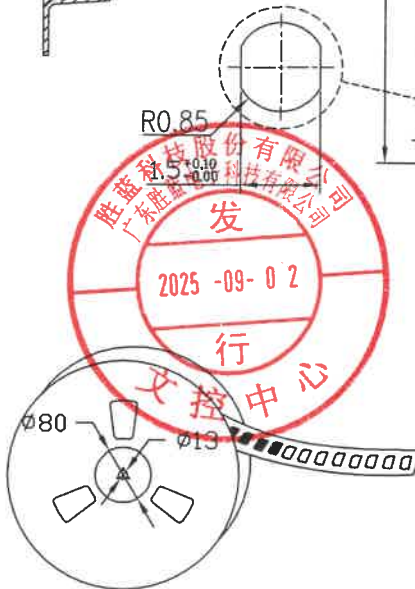
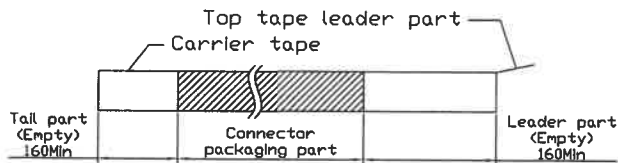
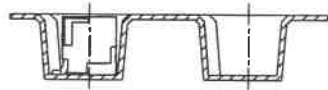
02~10 Contacts

11~18 Contacts



Unreeling direction →

Unreeling direction →



Number of Contacts	W±0.3	F±0.1	S±0.1	PCS/Reel	PCS/Box
2~4P	16	7.50	/	1,000	14,000
5~10P	24	11.50		1,000	10,000
11~16P	32	14.20	28.40	1,000	8,000
17~18P	44	22.20	40.40	1,000	6,000

REV.	REVISION RECORD	DATE		GENERAL TOLERANCES		SCALE	NAME	DATE	PART NO.	DWG NO.	
D5	依YB202312290007新增规格	2024.01.10		LINEAR	ANGLES	1:1	F	8/26/25	11257W90-NP-S-XX	ENDE05	
D6	依YB202407290012新增镀金规格	2024.08.07	0.0±0.25	X° REF±6°	APPROVED						
E0	YB202502210003	2025.03.06	UNIT: MM	0.00±0.15	X° ±3°	DESIGNER	ZM	25.08.21	TITLE	1.25mm PITCH 90° SMT WAFER	
E1	YB202508120933	2025.08.21	SIZE: A4	0.000±0.08	X° X'±2°	DRAWN	ZJH	25.08.21			