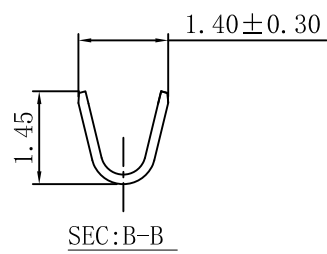
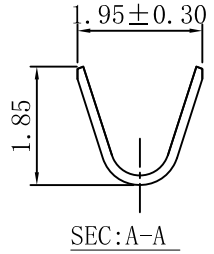
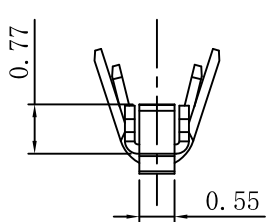
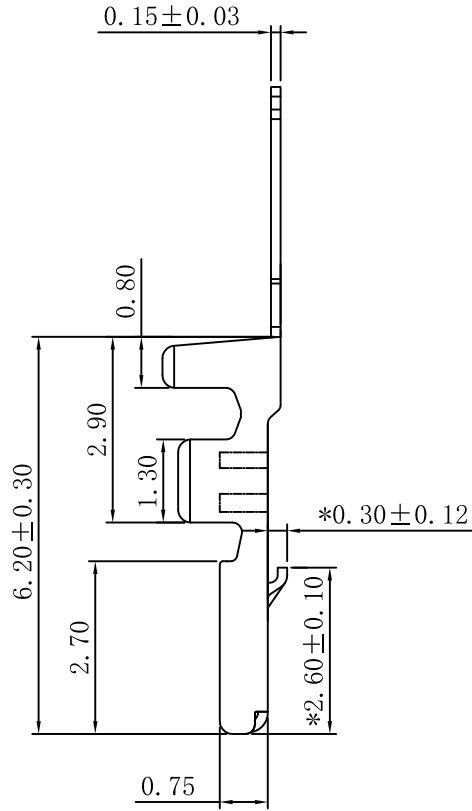
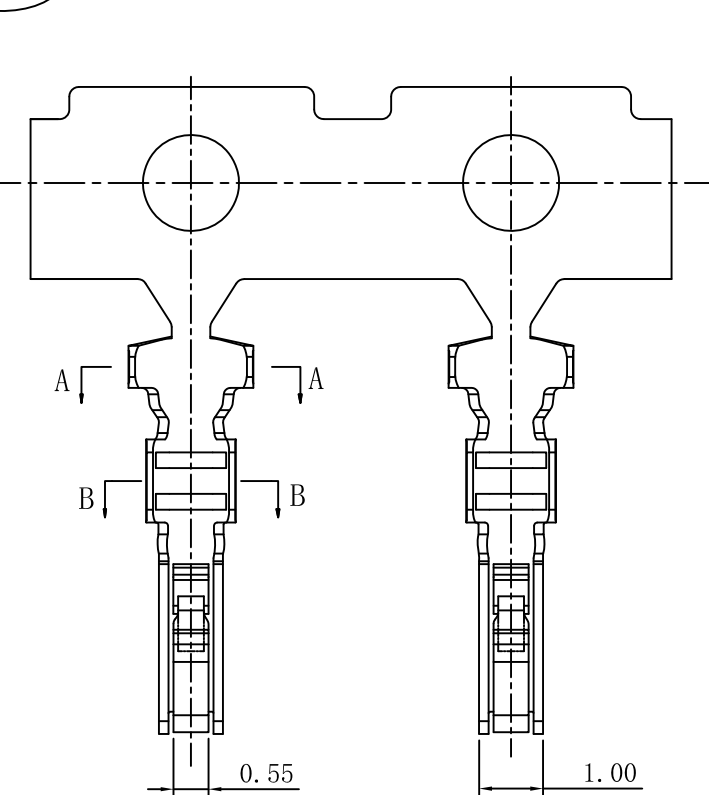



RoHS



Specification:
 * Contacts: Phosphor Bronze
 Tin/Gold Flash Plated Over All.
 * Retentivity Force: 0.3kgf/PIN MIN
 * DURABILITY: 30 CYCLES.
 * Current Rating: 2A
 * Rated Voltage : 100V AC/DC
 * Contact Resistance: 40 mΩ Max
 * Insulation Resistance: 500MΩ Min
 * Dielectric Withstanding : 500V
 * Operating Temperature: -25°C~+85°C.
 * The product using material and processing must conform to the "WI-PZ-142"Hsf technical standard control requirements
 * P/N:

31501 P C X-0 XX-L 004
 ① ②③④⑤ ⑥ ⑦ ⑧

- ① Series No.
- ② Connector:
P-Female Terminal
- ③ C-柳压式
- ④ Metal:
P-Phosphor Bronze
B-Brass
- ⑤ 0-N/A
- ⑥ Contact Plated:
5A-Gold flash
2E-Bright Tin
3E-Matte Tin
- ⑦ Package Spec:
L-Reel/RoHS2.0
- ⑧ Water code

REV.	REVISION RECORD	DATE	GENERAL TOLERANCES	SCALE	NAME	DATE	PART.NO:	DWG NO.	 TERMINAL&CONNECTORS
A0	NEW RELEASE	2022. 03. 02		LINEAR					
			0.0±0.35	ANGLES	DESIGNER	HU_XIAOYUN	2022. 03. 02	TITLE: Pitch1.50 mm ZE高脚母端子无LOGO AWG#24-#28	
			0.00±0.25	X° REF±6°	DRAWN	HAN_GAO	2022. 03. 02		
			0.00±0.10	X° X'±2°					REV A0 SHEET 1/1