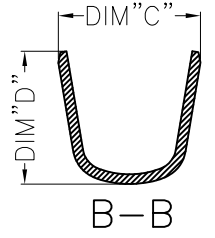
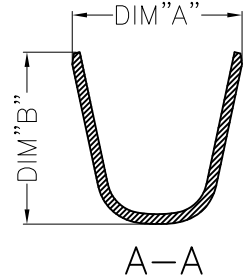
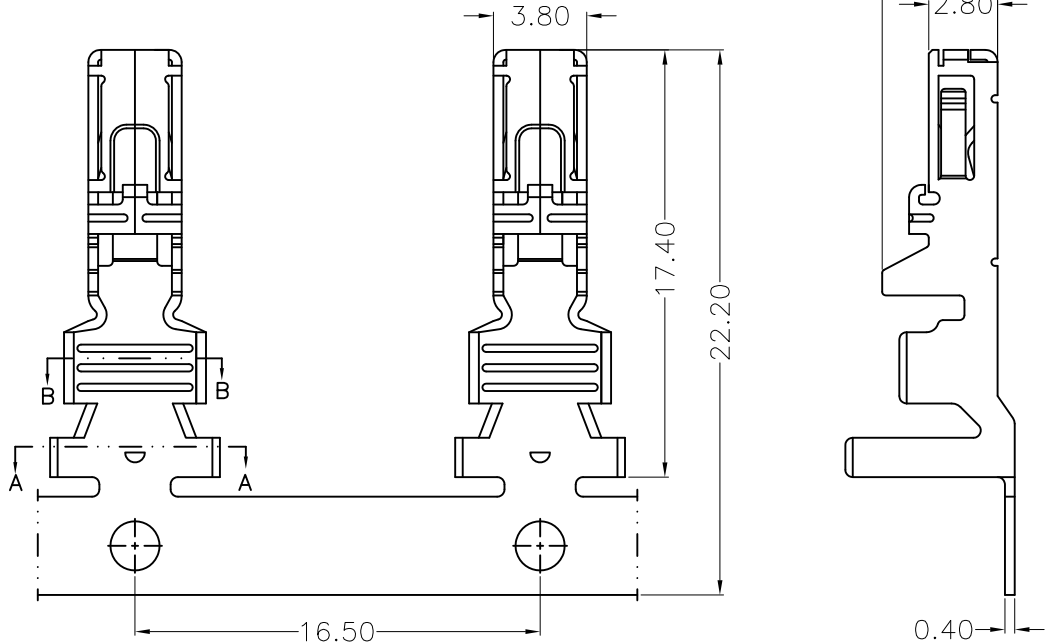


RoHS




Specification:
 * Contacts: Phosphor Bronze
 Tin/Gold Flash Plated Over All.
 * DURABILITY: 30 CYCLES.
 * Current Rating: 30A
 * Rated Voltage : 600V AC/DC
 * Contact Resistance: 5 mΩ Max
 * Insulation Resistance: 1000MΩ Min
 * Dielectric Withstanding : 2500V
 * Operating Temperature: -35°C~+90°C.
 * The product using material and processing must conform to the "WI-PZ-142"Hsf technical standard control requirements
 * P/N:
 38001 P C X-1 XX-L XXX
 ① ② ③ ④ ⑤ ⑥ ⑦
 ① Series No. ⑧ Contact Plated:
 5A-Gold flash
 2E-Bright Tin
 3E-Matte Tin
 ② Connector:
 P-Female Terminal
 ③ C-Pressure type
 ④ Metal:
 P-Phosphor Bronze
 B-Brass
 ⑤ 1-Single row
 ⑦ Package Spec:
 L-Reel
 ⑧ Water code:
 001-#14~#16
 002-#10~#12

Ordering Information

Part NO	Wire range	DIM A	DIM B	DIM C	DIM D
38001PCX-1XX-L001	#14~#16	4.40	5.20	3.90	4.00
38001PCX-1XX-L002	#10~#12	7.00	6.80	6.00	5.60

Specification:

NO.of contacts	10 AWG	12 AWG	14 AWG	16 AWG
1	30A	25A	20A	15A
2	25A	20A	18A	15A
3	25A	20A	18A	15A
4	22A	18A	15A	13A
5	22A	18A	15A	13A

REV.	REVISION RECORD	DATE	GENERAL TOLERANCES		SCALE	NAME	DATE	PART NO.	DWG NO.	 TERMINAL&CONNECTORS			
A0	NEW RELEASE	2022.3.2	LINEAR	ANGLES	1:1	WANG_JR	2022.3.2	38001PCX-1XX-LXXX	ENDE05				
			0.0±0.35	X° REF±6°		HAN_GAO	2022.3.2	TITLE Pitch 7.92mm HRS FEMALE Terminal		REV	A0	SHEET	1/1
			0.00±0.25	X° ±3°		HAN_GAO	2022.3.2						
			UNIT: MM	0.00±0.10	X° X' ±2°								