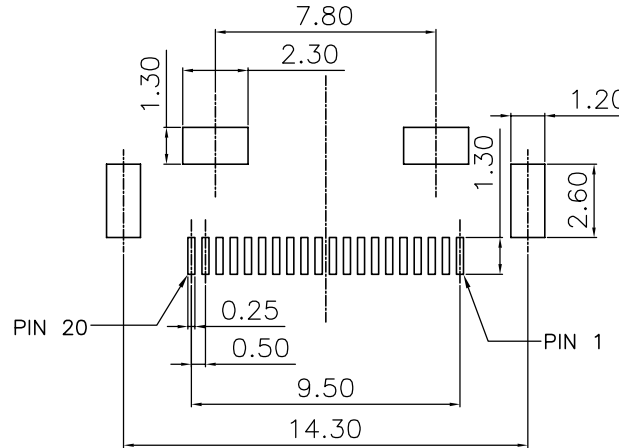
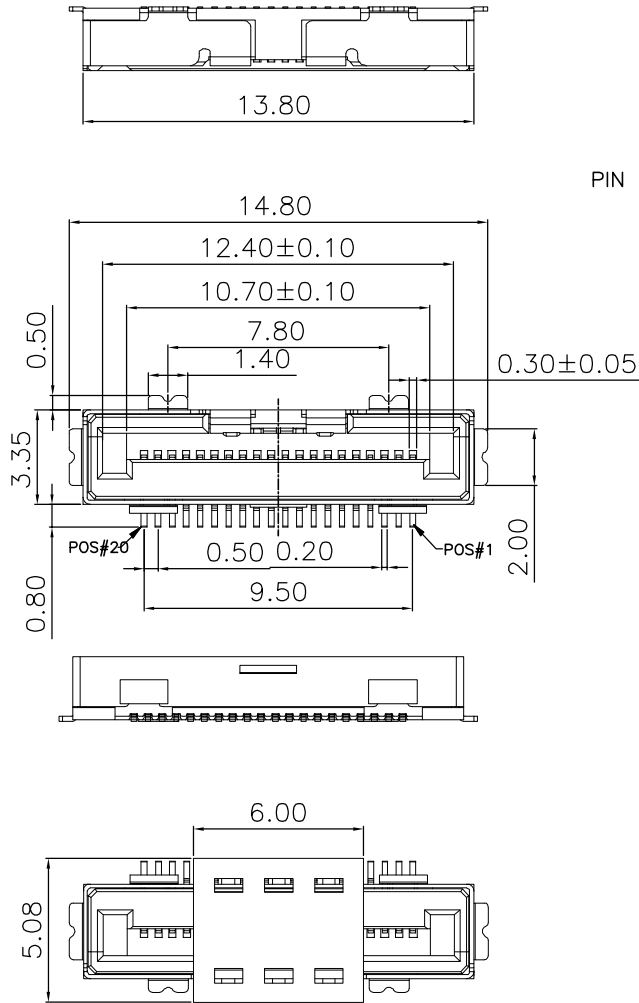
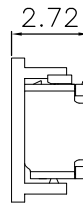
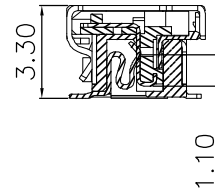


The product using material and processing must conform to the "WI-PZ-001"HSF technical standard control requirements

RoHS+HF



Recommended P.C.B Layout  
TOLERANCE:±0.05



NOTE:

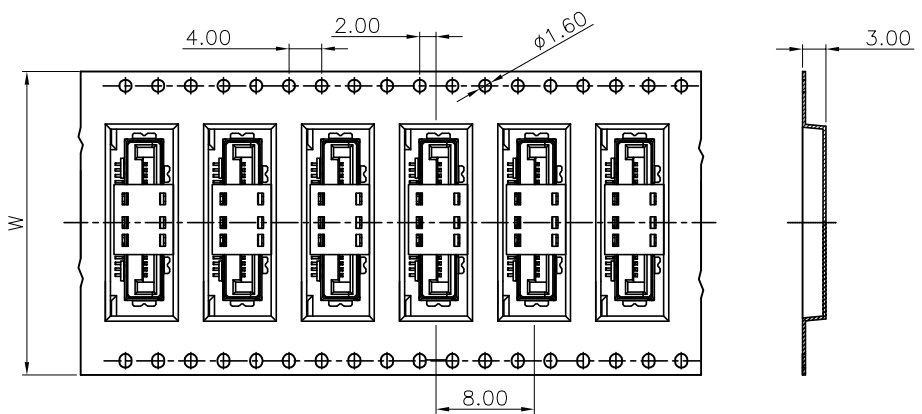
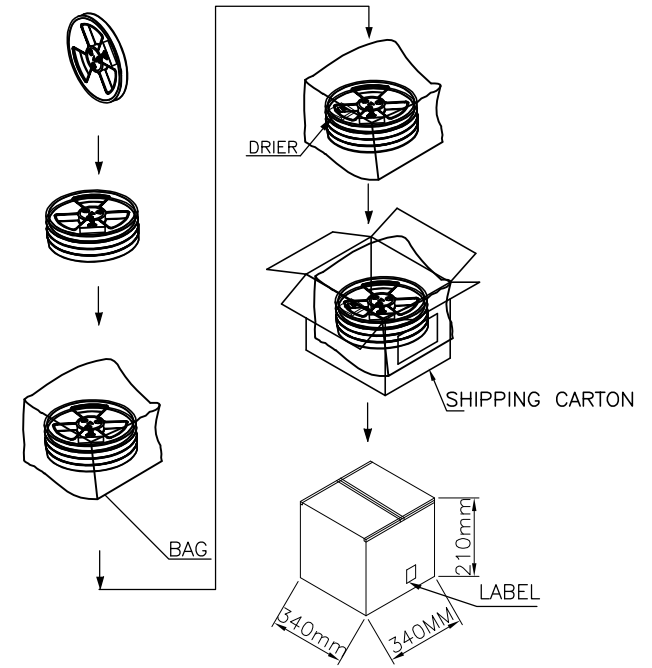
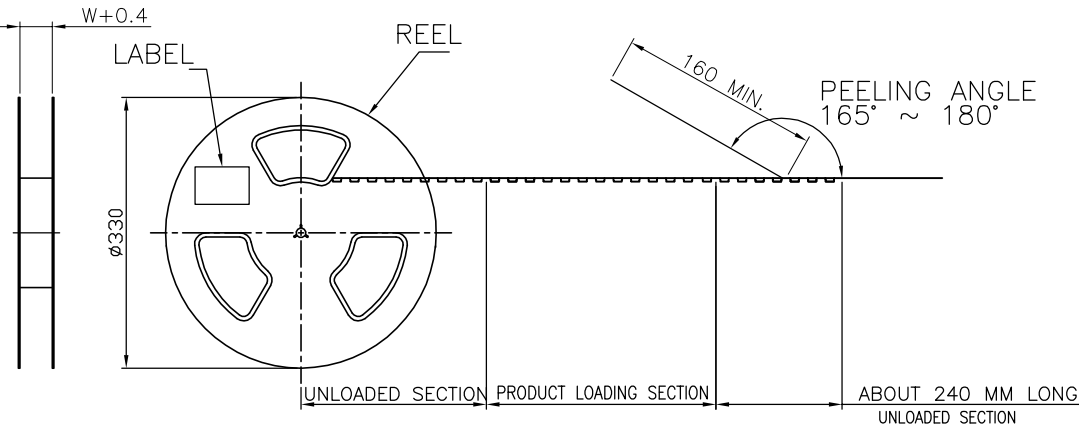
- 1.MATERIAL SPECIFICATION:
  - 1-1.HOUSING: LCP,UL94V-0,BALCK
  - 1-2.CONTACTS: PHOSPHER BRONZE
  - 1-3.SHELL:PHOSPHER BRONZE
- 2.PLATING SPECIFICATION:
  - 2-1.TERMINAL:
    - CONTACT AREA: AU 3U"~5U"
    - SOLDER AREA: AU 1U"~3U"
    - OVER ALL NI 50U" MIN
  - 2-2.SHELL:ALL TIN 50U" MIN, OVER NI 50U" MIN
- 3.MECHANICAL PERFORMANCE:
  - 3-1.INSERTION FORCE: 3.0KGF/PIN MAX
  - 3-2.REMOVAL FORCE: 0.30KGF/PIN MIN
  - 3-3.DURABILITY: 30 CYCLES.
- 4.ELECTRICAL PERFORMANCE:
  - 4-1.CURRENT RATING: 0.5A
  - 4-2.VOLTAGE RATING: 10V
  - 4-3.CONTACT RESISTANCE: 40mΩ Max.
  - 4-4.INSULATION RESISTANCE: 100MΩ MIN
  - 4-5.DIELECTRIC WITHSTANDING VOLTAGE: 150V AC Min
- 5.ENVIRONMENTAL PERFORMANCE:
  - OPERATING TEMPERATURE: -55°C~+85°C.
- 6.PACKAGE SPEC:REEL PACKING
- 7.P/N ORDER:

A0501 W 0-1 XX 2 X X 0  
 SERIES NO: \_\_\_\_\_  
 CONNECTOR: \_\_\_\_\_  
 W-WAFER  
 ANGLE: \_\_\_\_\_  
 9-90°  
 0-180°  
 ROW NO: \_\_\_\_\_  
 1-SINGLE ROW  
 PIN Q'PY: \_\_\_\_\_  
 20  
 COLOR:  
 A-BLACK  
 K-WHITE  
 S-NATURE  
 PLATING:  
 A-ALL AU G/F  
 E-ALL AU 3U"  
 F-ALL AU 5U"  
 TERMIPOINT:  
 2-SMT


REV.	REVISION RECORD	DATE		GENERAL TOLERANCES		SCALE:	NAME	DATE	PART.NO:	DWG.NO:	
A0	NEW RELEASE	21.01.13		LINEAR	ANGLES	1:1					
A1	PART NUMBER RENEWAL	23.09.12		0.00±0.25	X'±3'	DESIGNER	Han_Gao	23.09.12	TITLE:	Pitch 0.50mm 3.3H 20CKT LVDS RECEPTACLE CONN	
				0.00±0.10	X'X' ±2'	DRAWN	LX_HOU	23.09.12			

The product using material and processing must conform to the "WI-PZ-001"HSF technical standard control requirements

RoHS+HF



32	2500	5	12500	20
DIM W	PCS/TAPE	REELS/CARTON	QUANTITY (PCS)	PIN NO.

REV.	REVISION RECORD	DATE	UNIT:mm	GENERAL TOLERANCES		SCALE:	NAME	DATE	PART.NO:	DWG.NO:	 WanLian Technology Co., Ltd
A0	NEW RELEASE	21.01.13		LINEAR	ANGLES	1:1	Wang_jr	23.09.12	A0501W0-1XX2XX0	ENDE05	
A1	PART NUMBER RENEWAL	23.09.12	0.00±0.25	X'±3'	APPROVED	Han_Gao	23.09.12	TITLE: Pitch 0.50mm 3.3H 20CKT LVDS RECEPATACLE CONN PACKAGE DRAWING		REV: A1	SHEET: 2/2
			0.000±0.10	X'X' ±2'	DESIGNER	LX_HOU	23.09.12				