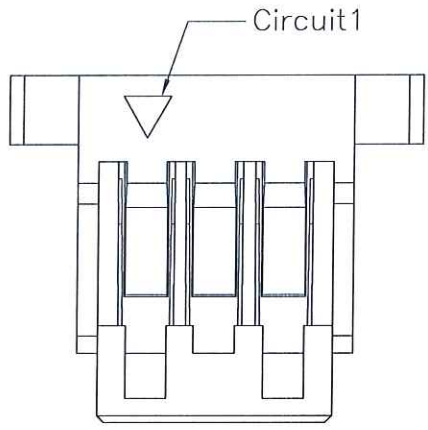
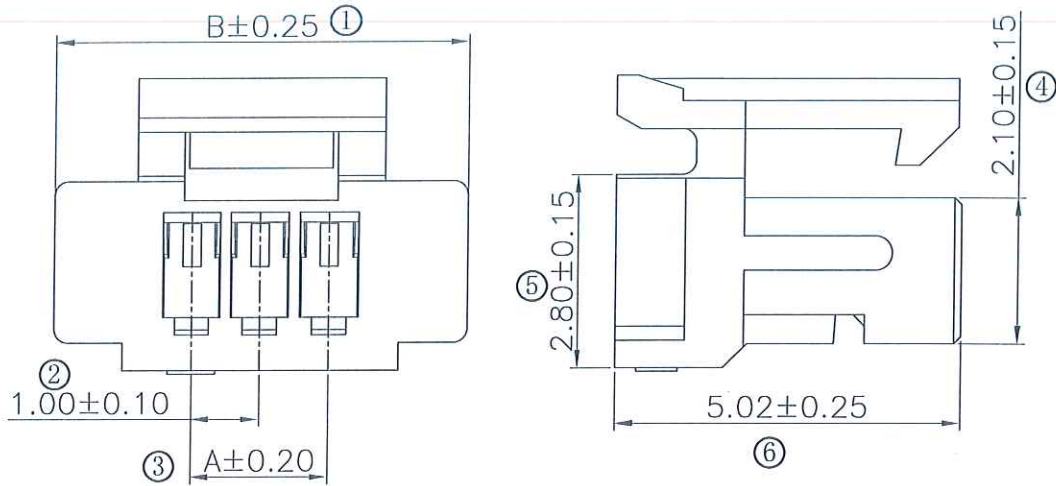


The product using material and processing must conform to the "WI-PZ-001"HSF technical standard control requirements

RoHS+HF



NOTE:

- 1.MATERIAL SPECIFICATION:
 - 1-1.HOUSING: PA66,UL94V-0
- 2.ELECTRICAL PERFORMANCE:
 - 2-1.INSULATION RESISTANCE: 100MΩ Min
 - 2-1.DIELECTRIC WITHSTANDING : 500V
- 3.ENVIRONMENTAL PERFORMANCE:
 - 3-1.OPERATING TEMPERATURE: -25°C~+85°C.
- 4.PACKAGE SPEC: PE BAG
- 5.P/N:

SERIES NO: A1002 H 1 M-1 XX X 0
 CONNECTOR: H-HOUSING
 TYPE CODE: M-MALE
 COLOR: A-BLACK, K-WHITE
 PIN Q' PY: 02~12
 ROW NO: 1-SINGLE ROW

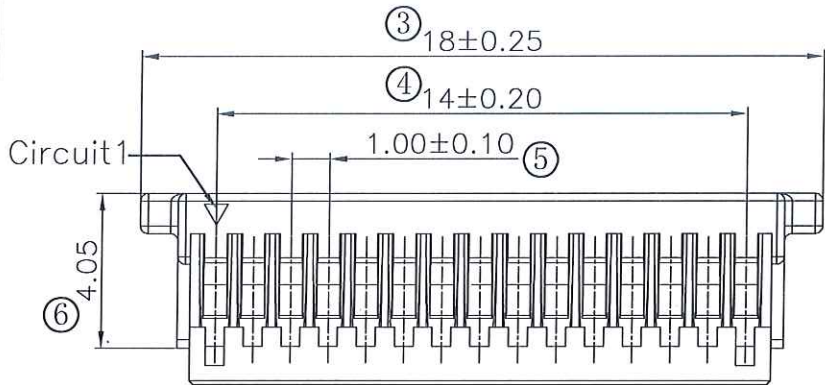
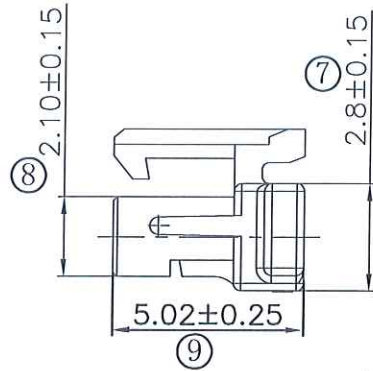
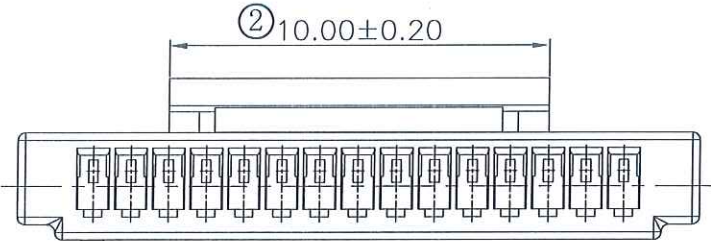
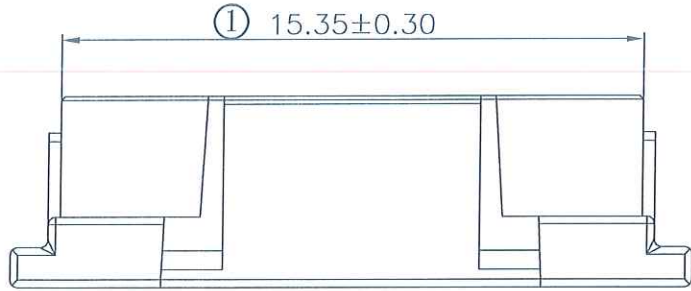
Ordering Information & Dimensions

Circuit	Dimensions(mm)		Circuit	Dimensions(mm)	
	A	B		A	B
02	1.00	5.00	09	8.00	12.00
03	2.00	6.00	10	9.00	13.00
04	3.00	7.00	11	10.00	14.00
05	4.00	8.00	12	11.00	15.00
06	5.00	9.00	13	12.00	16.00
07	6.00	10.00	14	13.00	17.00
08	7.00	11.00			

REV.	REVISION RECORD	DATE		GENERAL TOLERANCES		SCALE: 1:1	NAME	DATE	PART.NO:	DWG.NO:	
A0	NEW RELEASE	21.11.17		LINEAR	ANGLES	APPROVED	<i>[Signature]</i>	25.12.5	A1002H1M-1XXX0	ENDE05	
A1	PARAMETER INCREASE	25.12.05		0.0±0.35	X'REF±6°	DESIGNER	<i>[Signature]</i>	25.12.5	TITLE:		
				UNIT:mm	X'±3'	DRAWN	<i>[Signature]</i>	25.12.05	Pitch 1.00mm 180°SH 单排带扣胶壳		
			SIZE: A4	0.000±0.10	X'X' ±2'					REV: A1	SHEET: 1/3

The product using material and processing must conform to the "WI-PZ-001"HSF technical standard control requirements

RoHS+HF



NOTE:

- 1.MATERIAL SPECIFICATION:
 - 1-1.HOUSING: PA66,UL94V-0
- 2.ELECTRICAL PERFORMANCE:
 - 2-1.INSULATION RESISTANCE: 100MΩ Min
 - 2-1.DIELECTRIC WITHSTANDING : 500V
- 3.ENVIRONMENTAL PERFORMANCE:
 - 3-1.OPERATING TEMPERATURE: -25°C~+85°C.
- 4.PACKAGE SPEC: PE BAG
- 5.P/N:

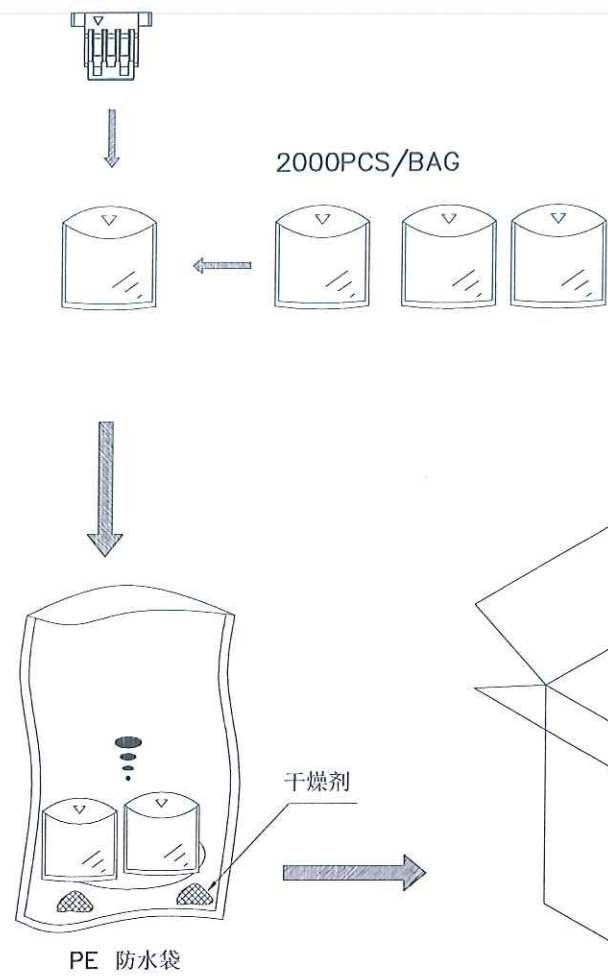
SERIES NO: A1002 H 1 M-1 XX X 0
 CONNECTOR: H-HOUSING
 TYPE CODE: M-MALE
 COLOR: A-BLACK, K-WHITE
 PIN Q' PY: 15
 ROW NO: 1-SINGLE ROW



REV.	REVISION RECORD	DATE	GENERAL TOLERANCES	SCALE:	NAME	DATE	PART.NO:	DWG.NO:
A0	NEW RELEASE	21.11.17	LINEAR	1:1			A1002H1M-1XXX0	ENDE05
A1	PARAMETER INCREASE	25.12.05	0.0±0.35	APPROVED	25.12.05			
			0.00±0.25	DESIGNER	25.12.06			
			0.000±0.10	DRAWN	25.12.05			
							TITLE:	
							Pitch 1.00mm 180°SH 单排带扣胶壳 15PIN	
								REV: A1 SHEET: 2/3



The product using material and processing must conform to the "WI-PZ-001"HSF technical standard control requirements



1. 纸箱装箱以不超过装箱线为准, 空余位置用塑料泡沫及保尼龙填充;
2. 因生产Pin位未齐全, 每袋与整箱包装数量仅供参考, 具体包装数量以实际出货为准, 或批量出货更新后为准;



REV.	REVISION RECORD	DATE		GENERAL TOLERANCES		SCALE: 1:1	NAME	DATE	PART.NO:	DWG.NO:	 WanLian Technology Co., Ltd
A0	NEW RELEASE	21.11.17		LINEAR	ANGLES	APPROVED	<i>[Signature]</i>	25.12.5	A1002H1M-1XXX0	ENDE05	
A1	PARAMETER INCREASE	25.12.05	UNIT:mm	0.00±0.25	X'±3'	DESIGNER	<i>[Signature]</i>	25.12.05	TITLE:		REV: A1
			SIZE: A4	0.000±0.10	X'X' ±2'	DRAWN	<i>[Signature]</i>	25.12.05	Pitch 1.00mm 180°SH 单排带扣胶壳 15PIN		