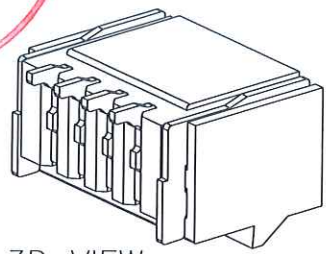
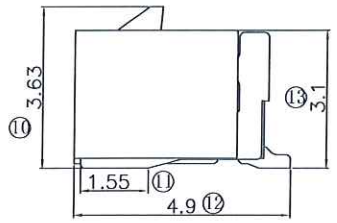
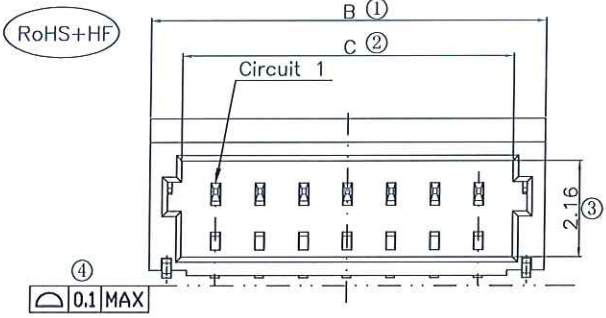




 2025.01.10
 产品中心
 技术文件发行章

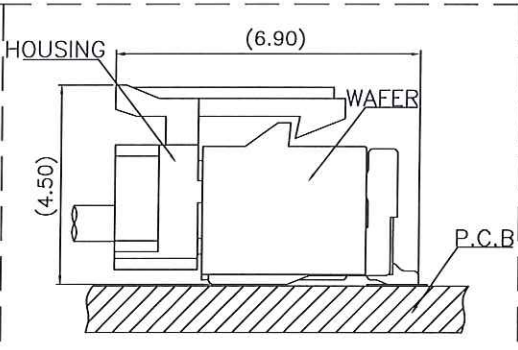
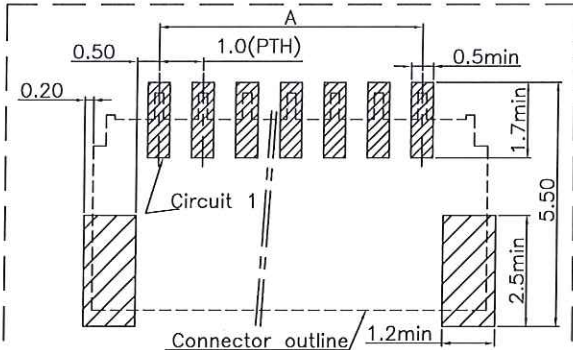
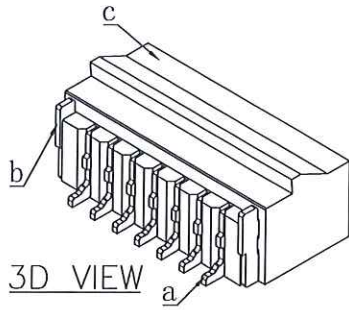
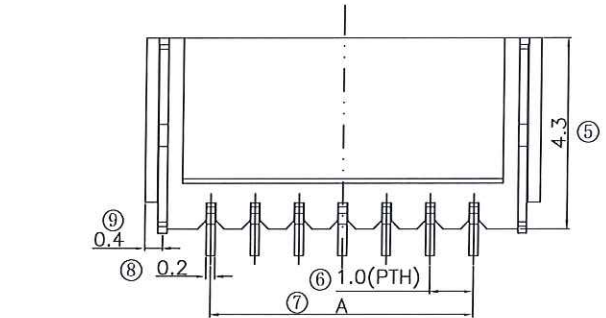
The product using material and processing must conform to the "WI-PZ-001"HSF technical standard control requirements



- NOTE:
- MATERIAL SPECIFICATION:
 - CONTACT: PHOSPHOR BRONZE
 - SOLDER TABS: PHOSPHOR BRONZE
 - HOUSING: LCP UL94V-0
 - PLATING SPECIFICATION:
 - CONTACTS: BRIGHT TIN PLATED OVER ALL.
 - SOLDER TABS: BRIGHT TIN PLATED OVER ALL.
 - MECHANICAL PERFORMANCE:
 - RETENTIVITY FORCE: 0.5KGF/pin min
 - DURABILITY: 50 CYCLES.
 - ELECTRICAL PERFORMANCE:
 - CURRENT RATING: 1.0A
 - RATED VOLTAGE : 50V AC/DC
 - CONTACT RESISTANCE: 20 mΩ MAX
 - INSULATION RESISTANCE: 100MΩ Min
 - DIELECTRIC WITHSTANDING : 500V
 - ENVIRONMENTAL PERFORMANCE:
 - OPERATING TEMPERATURE: -25°C~+105°C.
 - PACKAGE SPEC: REEL/1500pcs
 - P/N:

A1

SERIES NO: A1002 W 9 1-1 XX 2 X X 0
 CONNECTOR: W-WAFER
 ANGLE: 9-90°
 TYPE: 1-TYPE 1
 ROW NO: 1-SINGLE ROW
 COLOR: A-BLACK S-NATURE
 PLATING: D-MATTE TIN P-1U" AU (触点足IU) Q-3U" AU (触点足3U)
 TERMPOINT: 2-SMT
 PIN Q' PY: 02~20



Ordering Information & Dimensions

Circuit	Dimensions (mm)			Circuit	Dimensions (mm)		
	A	B	C		A	B	C
02	1.00	4.00	2.45	12	11.00	14.00	12.45
03	2.00	5.00	3.45	13	12.00	15.00	13.45
04	3.00	6.00	4.45	14	13.00	16.00	14.45
05	4.00	7.00	5.45	15	14.00	17.00	15.45
06	5.00	8.00	6.45	16	15.00	18.00	16.45
07	6.00	9.00	7.45	17	16.00	19.00	17.45
08	7.00	10.00	8.45	18	17.00	20.00	18.45
09	8.00	11.00	9.45	19	18.00	21.00	19.45
10	9.00	12.00	10.45	20	19.00	22.00	20.45
11	10.00	13.00	11.45				

REV.	REVISION RECORD	DATE
A0	NEW RELEASE	21.11.17
A1	PART NUMBER RENEWAL	

GENERAL TOLERANCES		SCALE: 1:1	NAME	DATE
LINEAR	ANGLES			
0.0±0.35	X'REF±6°			
UNIT:mm	0.00±0.25			
SIZE: A4	0.000±0.10			

APPROVED	DESIGNER	DRAWN
<i>[Signature]</i>	<i>[Signature]</i>	<i>[Signature]</i>

PART.NO: A1002W91-1XX2XX0

TITLE: Pitch 1.00mm 90°SH 单排卧贴带锁扣 Wafer

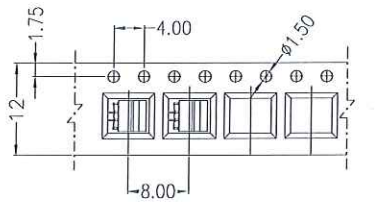
DWG.NO: ENDE05

WanLian Technology Co., Ltd

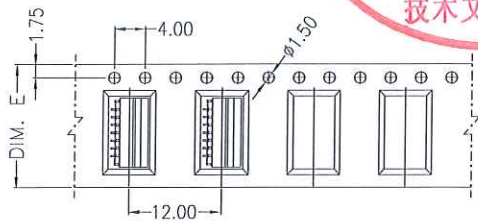
REV: A1 SHEET: 1/2

The product using material and processing must conform to the "WI-PZ-001"HSF technical standard control requirements

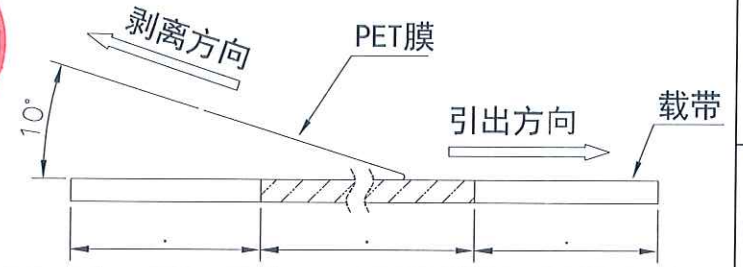
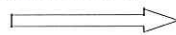
RoHS+HF



产品引出方向 02 CONTACTS

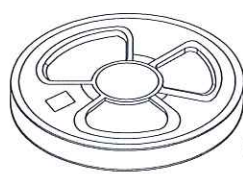
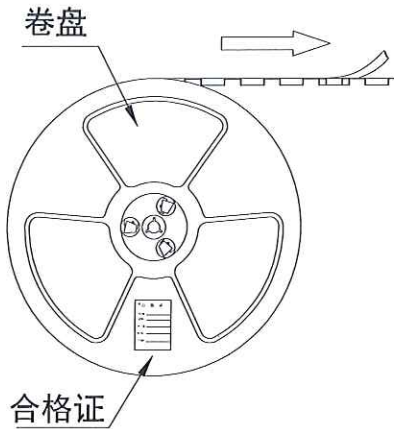


产品引出方向 03~10 CONTACTS

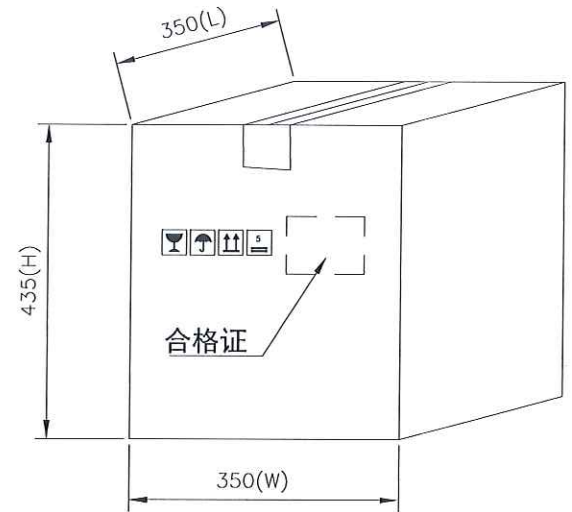
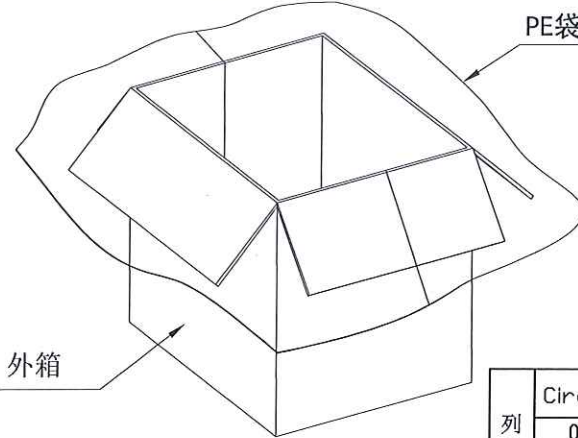
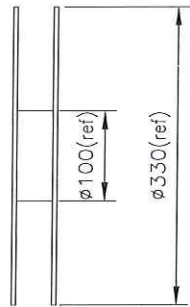


02 CONTACTS	后空13PCS	产品	前空51PCS
03~10 CONTACTS	后空9PCS	产品	前空35PCS

(PET膜剥离示意图)



装*盘(参考列表一)



包装说明:

- 把成品包入卷盘中, 每盘装1500PCS, (注: 2PIN每盘装2000PCS), 卷盘上贴上合格证, 将装好产品的卷盘放进外箱中, 外箱内先套一个大PE袋, 外箱上贴贴上合格证.
- 所有材料有害物控制需符合RoHS标准.

列表一	Circuit	DIM.D	DIM.E	PETwidth	Q'ty/reel	Packing (Reel/Caton)
	02	-	12	10.8	2000PCS	25/Reel
	03-06	-	16	12.8	1500PCS	20/Reel
	07-14	-	24	20.7	1500PCS	15/Reel
	15-16	28.4	32	25.5	1500PCS	11/Reel

REV.	REVISION RECORD	DATE	GENERAL TOLERANCES		SCALE: 1:1	NAME	DATE	PART.NO:	DWG.NO:	
A0	NEW RELEASE	21.11.17	LINEAR	ANGLES	1:1			A1002W91-1XX2XX0	ENDE05	
A1	PART NUMBER RENEWAL		0.0±0.35	X'REF±6'	APPROVED	8/3/10	25.1.10			
			0.00±0.25	X'±3'	DESIGNER	丁洪	25.10.10	TITLE:		
			0.000±0.10	X'X'±2'	DRAWN	黄碧娟	25.01.10	Pitch 1.00mm 90°SH 单排卧贴带锁扣 Wafer		
										REV: A1 SHEET: 2/2