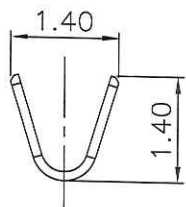
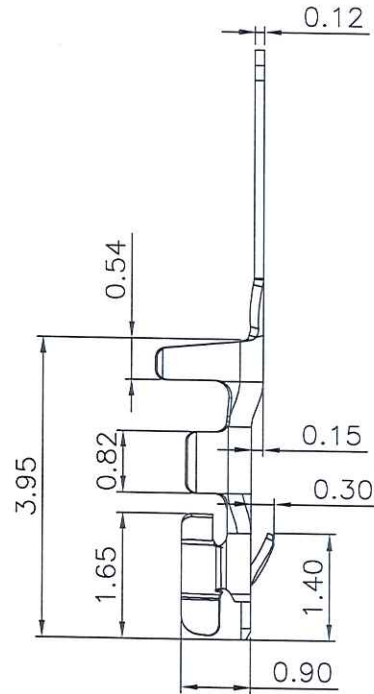
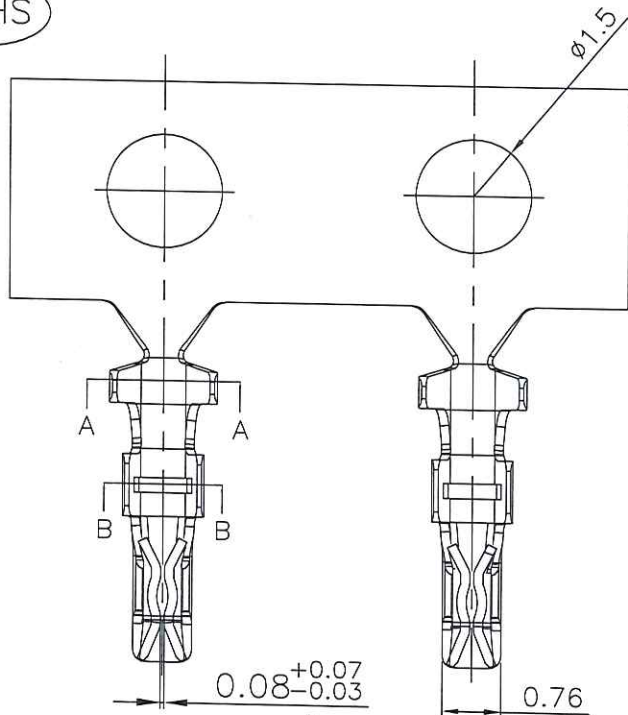
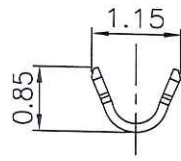


The product using material and processing must conform to the "WI-PZ-001"HSF technical standard control requirements

RoHS



SECTION A-A  
SCALE:1:1



SECTION B-B  
SCALE:1:1

NOTE:

- 1.MATERIAL SPECIFICATION:  
1-1.T-TERMINAL: PHOSPHOR BRONZE
- 2.PLATING SPECIFICATION:  
2-1.T-TERMINAL:  
TIN/GOLD FLASH PLATED OVER ALL.
- 3.MECHANICAL PERFORMANCE:  
3-1.RETENTIVITY FORCE: 0.5KGF/Pin Min  
3-2.DURABILITY: 30 CYCLES.
- 4.ELECTRICAL PERFORMANCE:  
4-1.CURRENT RATING: 1A AC/DC  
RATED VOLTAGE : 125V AC/DC  
4-2.CONTACT RESISTANCE: 20 mΩ MAX  
4-3.INSULATION RESISTANCE: 100MΩ Min  
4-4.DIELECTRIC WITHSTANDING : 500V
- 5.ENVIRONMENTAL PERFORMANCE:  
5-1.OPERATING TEMPERATURE: -25°C~+85°C.
- 6.PACKAGE SPEC : REEL
- 7.P/N:

SERIES NO: A1009 T 1 F X-X  
CONNECTOR: T-TERMINAL  
TYPE CODE: F X-X  
METAL: P-PHOSPHOR BRONZE  
PLATING: C-BRIGHT TIN



REV.	REVISION RECORD	DATE	GENERAL TOLERANCES		SCALE:	NAME	DATE	PART.NO:	DWG.NO:
A0	NEW RELEASE	22.10.28	 UNIT:mm SIZE: A4	LINEAR	1:1	 X'REF±6° X'±3° X'X' ±2°	APPROVED: Wang J 12/06/22 DESIGNER: 刘世焯 12/06/22 DRAWN: 董恩培 22.12.06	A1009T1FX-X	ENDE05
A1	ADDITIONAL SIZE CONTROL	22.12.06		0.0±0.35					
				0.00±0.25					
				0.000±0.10				TITLE: Pitch 1.0mm NIIB端子 AWG 28#~32#	REV: A1 SHEET: 1/1

