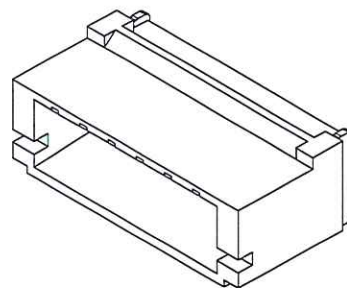
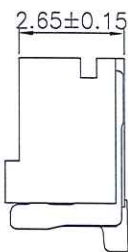
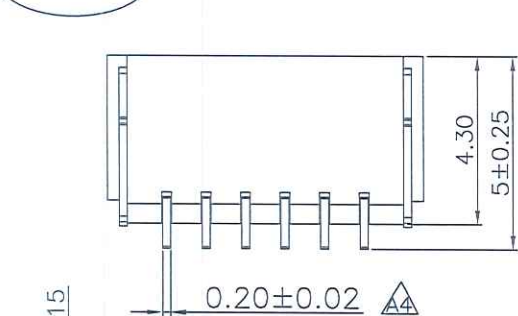
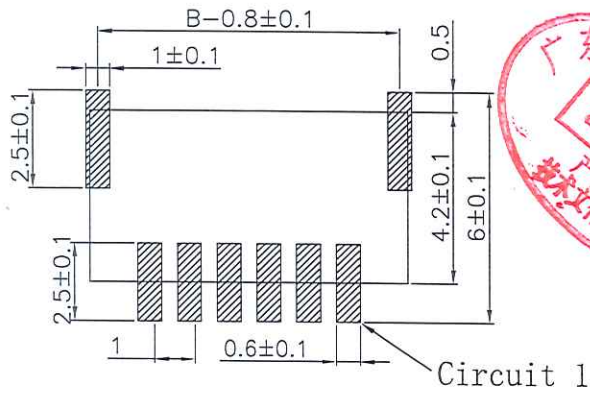
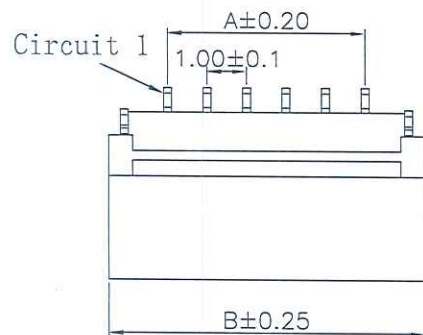
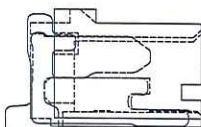
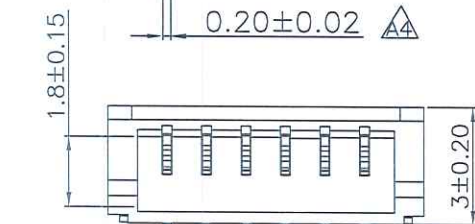


The product using material and processing must conform to the "WI-PZ-001" HSF technical standard control requirements

RoHS+HF



3D VIEW



Recommend PCB Layout

NOTE:

- 1.MATERIAL SPECIFICATION:
 - 1-1.HOUSING: LCP NATURE UL94V-0
 - 1-2.CONTACTS: BRASS
 - 1-3.SHELL: BRASS
- 2.PLATING SPECIFICATION:
 - 2-1.CONTACTS: TIN PLATED OVER ALL.
 - 2-2.SHELL: TIN PLATED OVER ALL.
- 4.ELECTRICAL PERFORMANCE:
 - 4-1.RATED CURRENT: 1A AC,DC
 - 4-2.INSULATION RESISTANCE: 100MΩ MIN
 - 4-3.CONTACT RESISTANCE : 20mΩ MAX
 - 4-4.WITHSTANDING VOLTAGE: 500V AC/minute
- 5.ENVIRONMENTAL PERFORMANCE:
 - OPERATING TEMPERATURE: -25°C~+85°C.
- 6.PACKAGE SPEC: REEL
- 7.P/N:



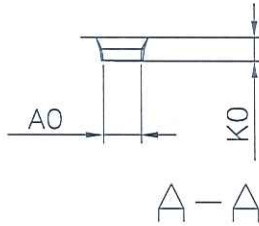
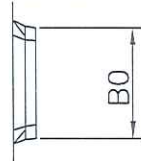
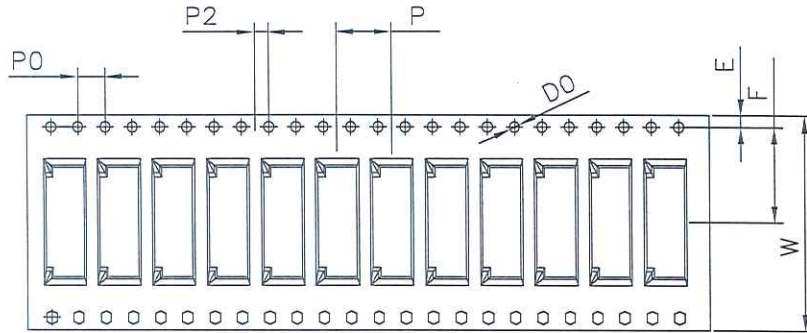
SERIES NO: A1009 W 9-1 XX 2 X X 0
 CONNECTOR: W-WAFER
 ANGLE: 9-90~
 ROW NO: 1-SINGLE ROW
 PIN Q'PY: 02~16
 COLOR: A-BLACK S-NATURE
 PLATING: A-ALL AU G/F C-BRIGHT TIN D-MATTE Tin
 TERMIPOINT: 2-SMT

Circuit	Dimensions(mm)		Circuit	Dimensions(mm)	
	A	B		A	B
02	---	4.0	12	11.0	14.0
03	2.0	5.0	13	12.0	15.0
04	3.0	6.0	14	13.0	16.0
05	4.0	7.0	15	14.0	17.0
06	5.0	8.0	16	15.0	18.0
07	6.0	9.0	17	16.0	19.0
08	7.0	10.0	18	17.0	20.0
09	8.0	11.0	19	18.0	21.0
10	9.0	12.0	20	19.0	22.0
11	10.0	13.0			

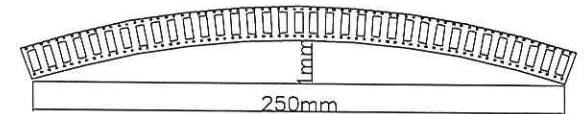
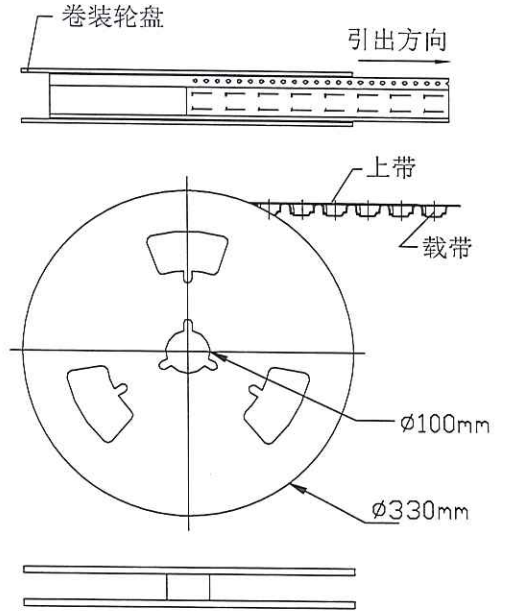


REV.	REVISION RECORD	DATE	UNIT	GENERAL TOLERANCES	SCALE:	NAME	DATE	PART.NO:	DWG.NO:	
A1	删掉多余标注	22.11.23	mm	LINEAR	1:1			A1009W9-1XX2XX0	ENDE05	
A2	PART NUMBER RENEWAL	23.09.12		ANGLES	APPROVED					
A3	RENEWAL PACKING	24.01.25		0.0±0.35	DESIGNER					
A4	ADDITIONAL SIZE CONTROL	26.01.09		X°REF±6'	DRAWN					
				0.00±0.25	TITLE:		PITCH1.0MM 90° SINGLE ROW		REV: A4	SHEET: SHEET
				0.000±0.10	TITLE:		WITH LOCK SMT TYPE WAFER			

The product using material and processing must conform to the "WI-PZ-001"HSF technical standard control requirements



卷装示意图仅供参考



说明:

1. 10个边孔的累计公差不能超过 $\pm 0.2\text{mm}$ 。
2. 材料规格: PS 雾透, 厚度 $T=0.3\text{mm}$ 。
3. 13寸卷轮包装零件总颗数: 2052颗 (前段空包颗数: 26颗, 实际包装零件颗数: 2000颗, 后段空包颗数: 26颗)。
4. 所有尺寸设计参照EIA-481-C-2003。
5. 载带再250mm长度以内最大曲度不超过1mm (见右图)。



CKT	$E \pm 0.10$	$F \pm 0.10$	$P2 \pm 0.10$	$\phi D0$	$P0 \pm 0.10$	$W \pm 0.30$	$P \pm 0.10$	$A0 \pm 0.10$	$B0 \pm 0.10$	$K0 \pm 0.10$	$T \pm 0.05$
04	1.75	7.5	2.00	1.50	4.00	16.00	8.00	5.57	6.40	3.52	0.30
05	1.75	7.5	2.00	1.50	4.00	16.00	8.00	5.57	7.40	3.52	0.30
06	1.75	11.5	2.00	1.50	4.00	24.00	8.00	5.57	8.40	3.52	0.30
14	1.75	14.20	2.00	1.50	4.00	32.00	8.00	5.57	16.40	3.52	0.30
16	1.75	14.20	2.00	1.50	4.00	32.00	8.00	5.57	18.40	3.52	0.30

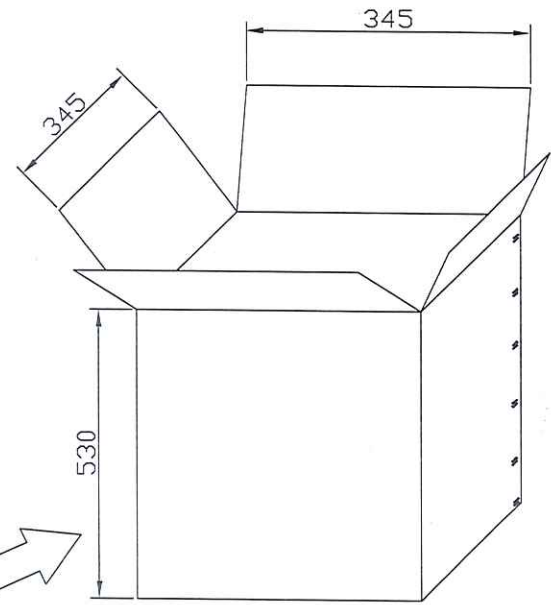
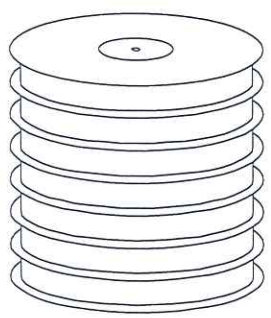
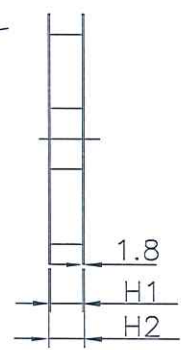
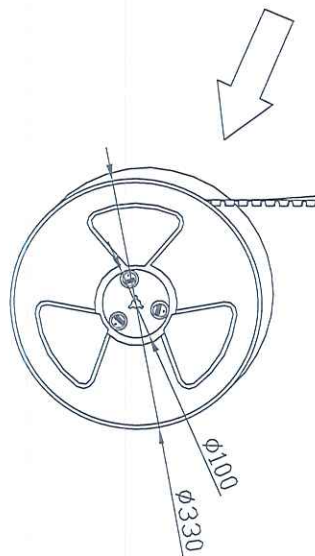
生产参数	
模数	模
颗数	颗
卷轮	13" / 16
包装数	颗

REV.	REVISION RECORD	DATE	GENERAL TOLERANCES		SCALE: 1:1	NAME	DATE	PART.NO:	DWG.NO:		
A1	NEW RELEASE	21.01.13	 LINEAR	 ANGLES	APPROVED	张明	26.1.9	A1009W9-1XX2XX0	ENDE05		
A2	PART NUMBER RENEWAL	23.09.12			DESIGNER	王明	24.09.16				
A3	RENEWAL PACKING	24.01.25	UNIT:mm	0.00 ± 0.25	$X' \pm 3'$	DRAWN	黄容			26.01.09	TITLE: PITCH1.0MM 90° SINGLE ROW WITH LOCK SMT TYPE WAFER
A4	ADDITIONAL SIZE CONTROL	26.01.09	SIZE: A4	0.000 ± 0.10	$X'X' \pm 2'$					REV: A4	

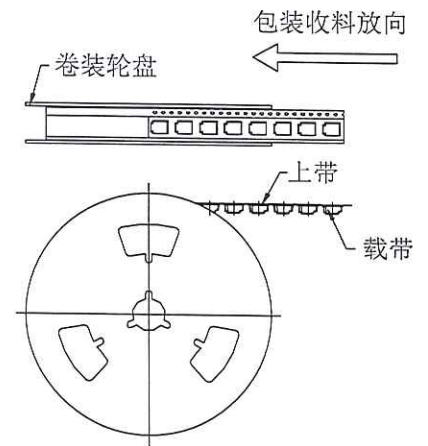



The product using material and processing must conform to the "WI-PZ-001" HSF technical standard control requirements

CKT	H1	H2	REEL/箱
04	16.6	20.5	25
05	16.6	20.5	25
06	24.6	28.5	18
14	32.6	36.5	14
16			



卷装示意图仅供参考



REV.	REVISION RECORD	DATE	GENERAL TOLERANCES		SCALE:	NAME	DATE	PART NO:	DWG. NO:	 Wanlian Technology Co., Ltd
A1	NEW RELEASE	21.01.13	LINEAR	ANGLES	1:1			A1009W9-1XX2XX0	ENDE05	
A2	PART NUMBER RENEWAL	23.09.12	0.0±0.35	X'REF±6°	APPROVED	<i>[Signature]</i>	26.1.9			
A3	RENEWAL PACKING	24.01.25	UNIT: mm	0.00±0.25	DESIGNER	<i>[Signature]</i>	2/09/26	TITLE:		
A4	ADDITIONAL SIZE CONTROL	26.01.09	SIZE: A4	0.000±0.10	DRAWN	<i>[Signature]</i>	26.01.09	PITCH 1.0MM 90° SINGLE ROW WITH LOCK SMT TYPE WAFER	REV: A4	SHEET: 3/3