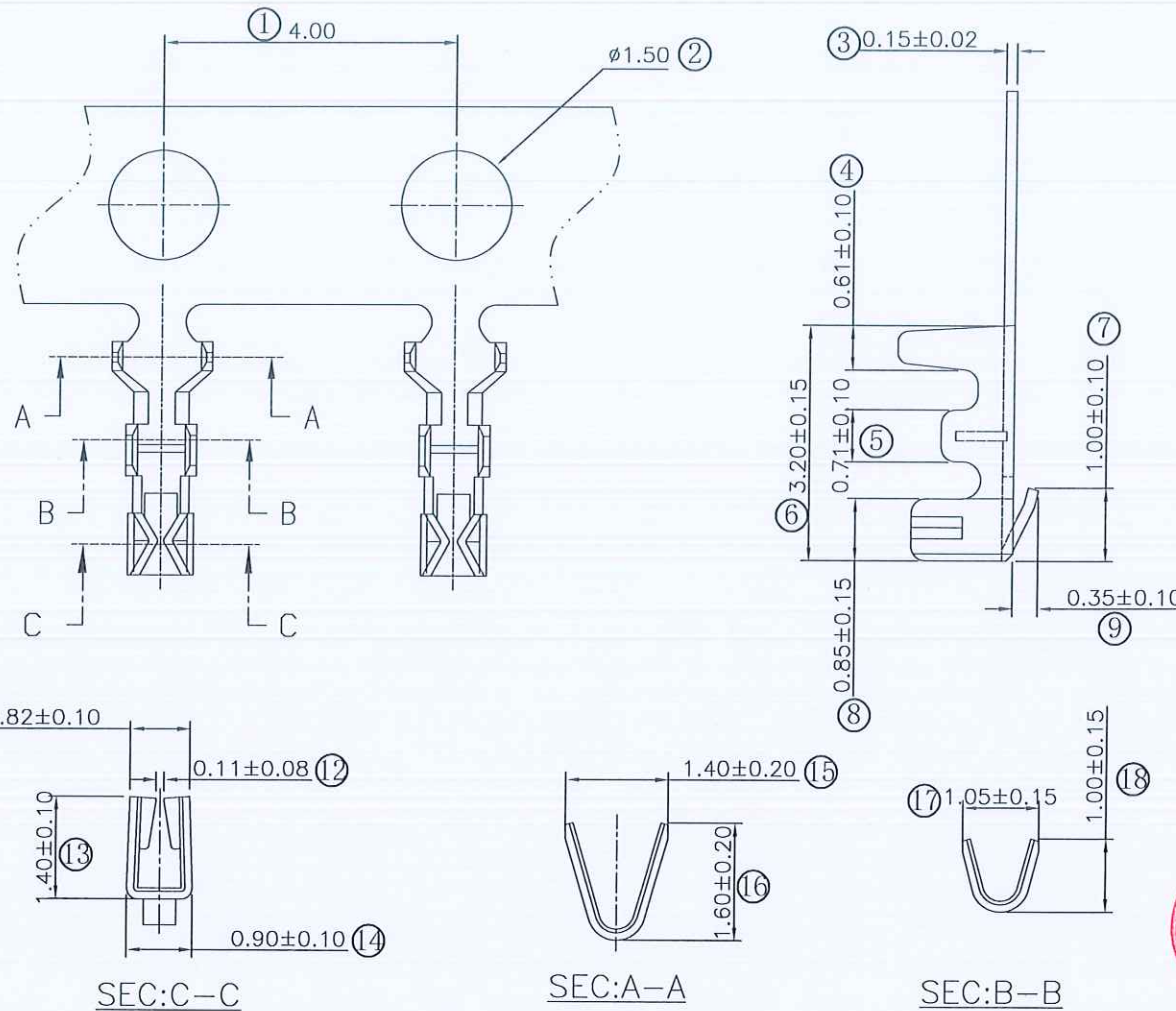


The product using material and processing must conform to the "WI-PZ-001" HSF technical standard control requirements

RoHS



NOTE:

- 1.MATERIAL SPECIFICATION:
TERMINAL: PHOSPHOR BRONZE, AWG #28~ #32
- 2.PLATING SPECIFICATION:
TERMINAL: Sn PLATING OVERALL
- 3.ELECTRICAL PERFORMANCE:
3-1.CURRENT RATING: 1A
3-2.VOLTAGE RATING: 125V MAX
3-3.CONTACT RESISTANCE: 20mΩ Max.
3-4.INSULATION RESISTANCE: 100MΩ MIN
3-5.DIELECTRIC WITHSTANDING VOLTAGE: 500V AC Min
- 4.ENVIRONMENTAL PERFORMANCE:
OPERATING TEMPERATURE: -25°C~+85°C.
- 5.PACKAGE SPEC: PAPER PLATE
- 6.P/N ORDER:

SERIES NO: A1251 T F X-X
CONNECTOR: T-TERMINAL
MALE FEMALE: F-FEMALE
PLATING: A-ALL AU G/F C-BRIGHT TIN
METAL: P-PHOSPHOR BRONZE



REV.	REVISION RECORD	DATE	UNIT:mm	GENERAL TOLERANCES		SCALE:	NAME	DATE	PART.NO:	DWG.NO:	WanLian Technology Co., Ltd
A0	NEW RELEASE	26.02.02		LINEAR	ANGLES	1:1					
			0.00±0.25	X'±3'	APPROVED	26.2.2	A1251TFX-X	ENDE05			
			0.00±0.10	X'X'±2'	DESIGNER	26.02.02					
			SIZE: A4		DRAWN	26.02.02					
									TITLE:		
									Pitch1.25mm FEMALE Terminal		
										REV: A0	SHEET: 1/1