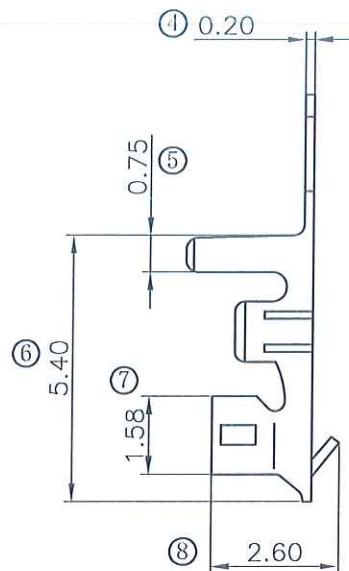
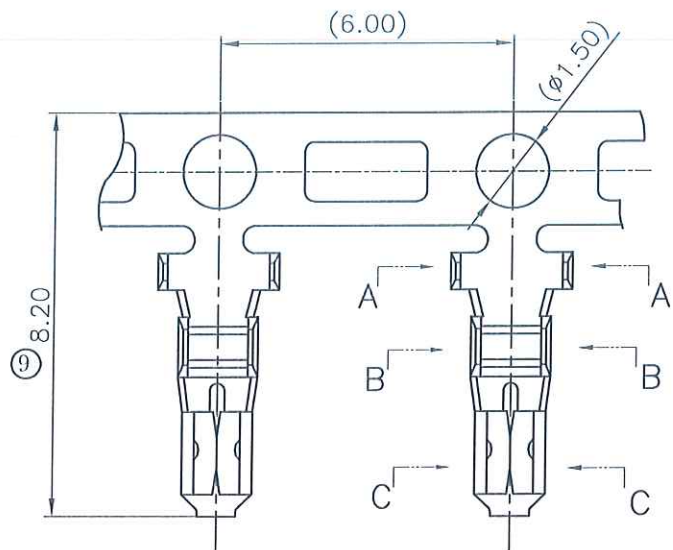


The product using material and processing must conform to the "WI-PZ-001"HSF technical standard control requirements

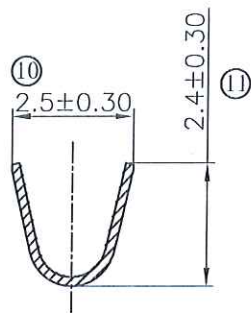
RoHS



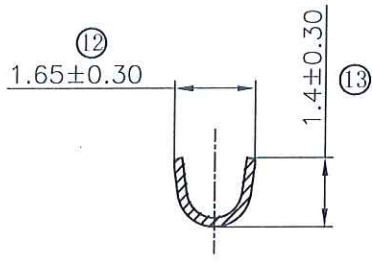
NOTE:

- 1.MATERIAL SPECIFICATION:  
1-1.TERMINAL: PHOSPHOR BRONZE
- 2.PLATING SPECIFICATION:  
2-1.TERMINAL:  
TIN/GOLD FLASH PLATED OVER ALL.
- 3.ELECTRICAL PERFORMANCE:  
3-1.CURRENT RATING: 2A  
3-2.CONTACT RESISTANCE: 20 mΩ MAX  
3-3.INSULATION RESISTANCE: 1000MΩ Min  
3-4.DIELECTRIC WITHSTANDING : 800V AC
- 4.ENVIRONMENTAL PERFORMANCE:  
4-1.OPERATING TEMPERATURE: -25°C~+85°C.
- 5.WIRE RANGE: AWG22#-28#
- 6.PACKAGE SPEC : REEL
- 7.P/N:

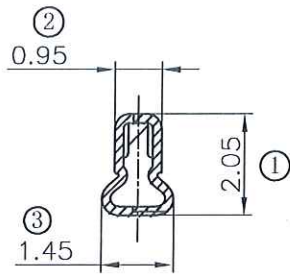
SERIES NO: A2001 T F X-X  
CONNECTOR: T-TERMINAL  
PLATING: C-BRIGHT TIN  
METAL: P-PHOSPHOR BRONZE  
MALE FEMALE: F-FEMALE



SECTION:A-A



SECTION:B-B



SECTION:C-C



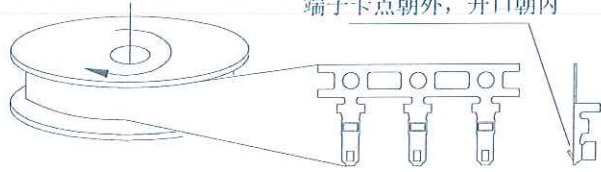
REV.	REVISION RECORD	DATE	GENERAL TOLERANCES		SCALE:	NAME	DATE	PART.NO:	DWG.NO:
A0	NEW RELEASE	22.03.19	LINEAR	ANGLES	1:1			A2001TFX-X	ENDE05
A1	MODIFY THE SIZE ACCORDING TO THE ACTUAL OBJECT	23.10.13	0.0±0.35	X'REF±6'	APPROVED	8/8/16	25.10.16		
A2	REPLACE THE NEW MOLD	25.10.16	UNIT:mm	0.00±0.25	CHECK	丁林	25.10.16	TITLE:	
			SIZE: A4	0.000±0.10	DRAWN	黄忠辉	25.10.16	Pitch2.00mm FEMALE Terminal AWG #22 -#28	



REV: A2 SHEET: 1/2

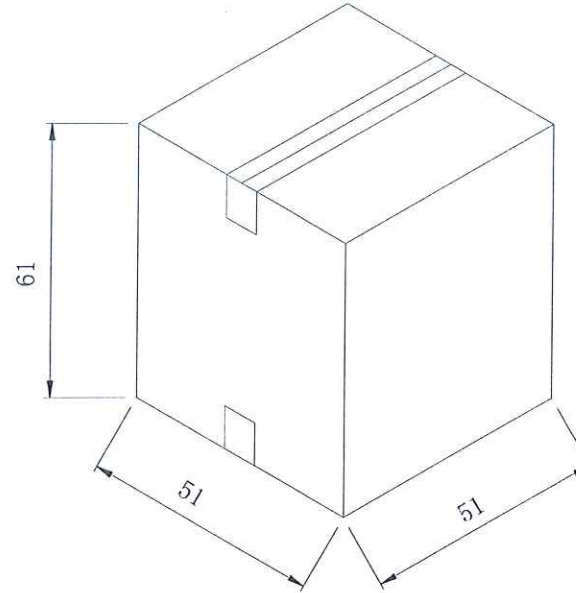
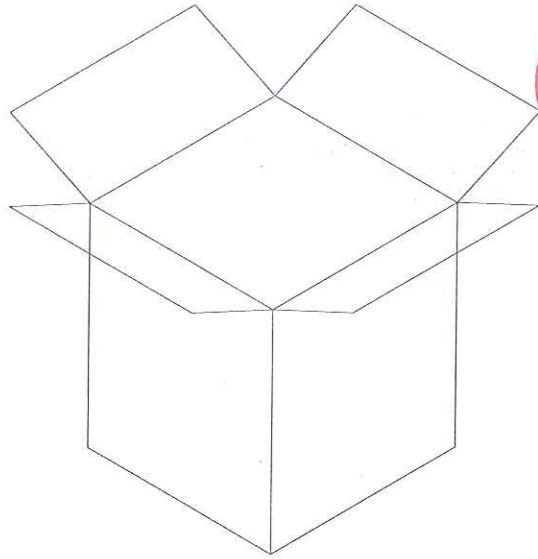
The product using material and processing must conform to the "WI-PZ-001"HSF technical standard control requirements

端子卡点朝外，开口朝内



1. 纸箱装箱以不超过装箱线为准，空余位置用塑料泡沫及保尼龙填充；

PCS/REEL	REEL/CARTON	SUM(PCS)
12000	30	360000



REV.	REVISION RECORD	DATE	GENERAL TOLERANCES		SCALE: 1:1	NAME	DATE	PART.NO:	DWG.NO:
A0	NEW RELEASE	22.03.19		LINEAR	ANGLES	APPROVED	25.12.16	A2001TFX-X	ENDE05
A1	MODIFY THE SIZE ACCORDING TO THE ACTUAL OBJECT	23.10.13		0.0±0.35	X'REF±6°	CHECK	25.12.16	TITLE: Pitch2.00mm FEMALE Terminal AWG #22 -#28	 WanLian Technology Co., Ltd
A2	REPLACE THE NEW MOLD	25.10.16		UNIT:mm SIZE: A4	0.00±0.25 0.000±0.10	X'±3° X'X' ±2°	DRAWN		

1

2

3

4

5

6

7

8



WanLian Technology Co., Ltd

REV: A2 SHEET: 2/2