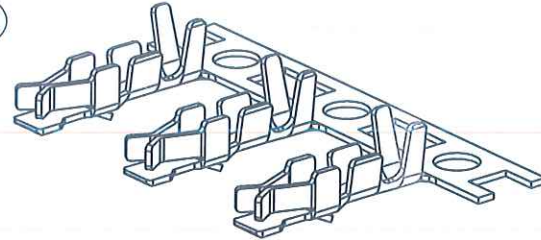


The product using material and processing must conform to the "WI-PZ-001"HSF technical standard control requirements

RoHS



3D VIEW

NOTE:

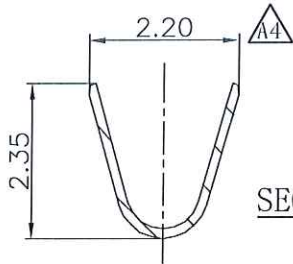
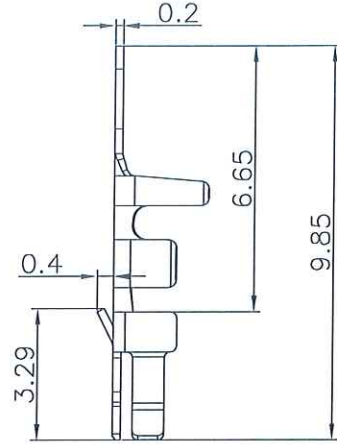
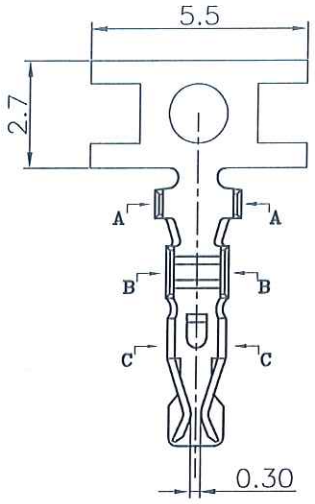
- 1.MATERIAL SPECIFICATION:  
1-1.TREMINAL:PHOSPHOR BRONZE  
AWG #22 -#28
- 2.PLATING SPECIFICATION:  
2-1.TREMINAL:  
BRIGHT TIN PLATED ON CONTACT AREA.
- 3.MECHANICAL PERFORMANCE:  
3-1.RETENTIVITY FORCE: 1.2KGF/PIN MIN  
3-3.DURABILITY: 30 CYCLES.
- 4.ELECTRICAL PERFORMANCE:  
4-1. RATED CURRENT : 3A AC,DC  
RATED VOLTAGE : 250V AC/DC  
4-2.INSULATION RESISTANCE: 1000MΩ MIN  
CONTACT RESISTANCE : 20MΩ(MAX.)  
4-3.WITHSTANDING VOLTAGE: 800V AC
- 5.ENVIRONMENTAL PERFORMANCE:  
OPERATING TEMPERATURE: -25°C~+85°C.
- 6.PACKAGE SPEC:PAPER PLATE

7.P/N: A2002 T F X-X

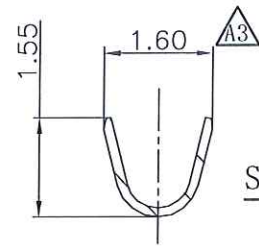
SERIES NO: \_\_\_\_\_ PLATING:  
1-G/F  
A-ALL AU G/F  
C-BRIGHE TIN  
D-MATTE TIN

CONNECTOR: \_\_\_\_\_  
T-TERMINAL

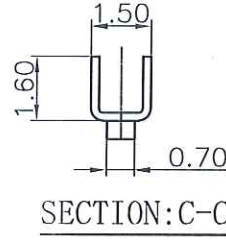
MALE FEMALE: \_\_\_\_\_ METAL:  
F-FEMALE P-PHOSPHOR BRONZE  
M-MALE B-BRASS



SECTION: A-A



SECTION: B-B



SECTION: C-C



REV.	REVISION RECORD	DATE		GENERAL TOLERANCES		SCALE: 1:1	NAME	DATE	PART.NO:	DWG.NO:	 WanLian Teconology Co., Ltd
A0	NEW RELEASE	21.01.13		LINEAR	ANGLES	APPROVED	2025.11.13	A2002TFX-X	ENDE05		
A2	MODIFY THE SIZE	22.10.18		0.0±0.35	X'REF±6°	DESIGNER	2025.11.13	TITLE:			
A3	MODIFY THE SIZE	23.09.13		0.00±0.25	X'±3'	DRAWN	2025.11.13	PITCH2.00mm 180° PA TERMINAL AWG	REV: A4	SHEET: 1/1	
A4	MODIFY THE SIZE	25.11.13		0.000±0.10	X'X' ±2'						