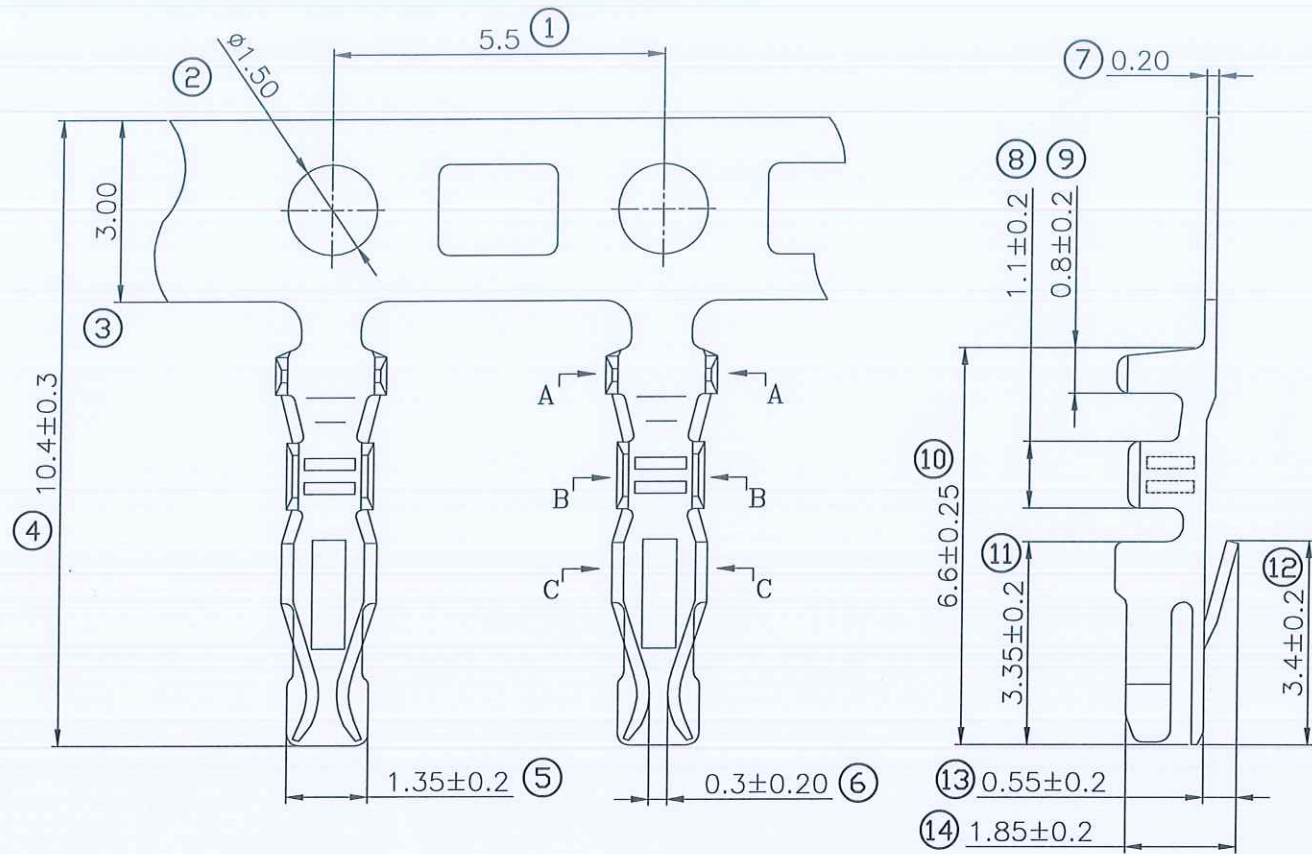


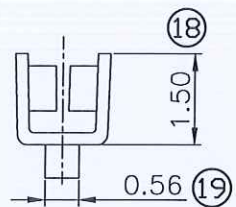
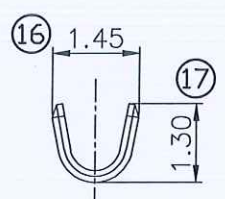
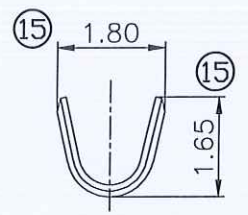
The product using material and processing must conform to the "WL-PZ-001"HSF technical standard control requirements

RoHS



NOTE:  
 1.MATERIAL SPECIFICATION:  
 1-1.TERMINAL: PHOSPHOR BRONZE  
 2.PLATING SPECIFICATION:  
 2-1.TERMINAL:  
 TIN/GOLD FLASH PLATED OVER ALL.  
 3.ELECTRICAL PERFORMANCE:  
 3-1.CURRENT RATING: 3A AC/DC  
 RATED VOLTAGE : 250V AC/DC  
 3-2.CONTACT RESISTANCE: 10 mΩ MAX  
 3-3.INSULATION RESISTANCE: 1000MΩ Min  
 3-4.DIELECTRIC WITHSTANDING : 800V AC  
 4.ENVIRONMENTAL PERFORMANCE:  
 4-1.OPERATING TEMPERATURE: -25°C~+85°C.  
 5.PACKAGE SPEC : REEL  
 6.P/N:

SERIES NO: A2006 T 1 F X-X  
 CONNECTOR: T-TERMINAL  
 TYPE CODE  
 MALE FEMALE: F-FEMALE M-MALE  
 PLATING:  
 A-ALL AU G/F  
 C-BRIGHT TIN  
 D-MATTE TIN  
 METAL:  
 P-PHOSPHOR BRONZE  
 B-BRASS



REV.	REVISION RECORD	DATE		GENERAL TOLERANCES		SCALE: 1:1	NAME	DATE	PART.NO:	DWG.NO:	
AO	NEW RELEASE	26.02.03		LINEAR	ANGLES	APPROVED	2026.02.03	26.02.03	A2006T1FX-X	ENDE05	
			UNIT:mm	0.00±0.25	X'±3'	DESIGNER	2026.02.03		TITLE:		
			SIZE: A4	0.000±0.10	X'X' ±2'	DRAWN	2026.02.03		Pitch 2.0 mm 无logo端子 AWG#24~#28	REV: AO	SHEET: 1/1