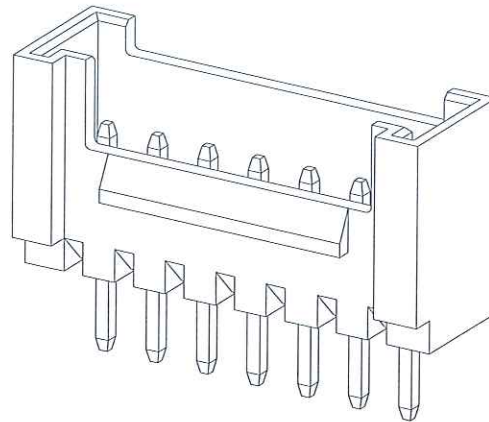
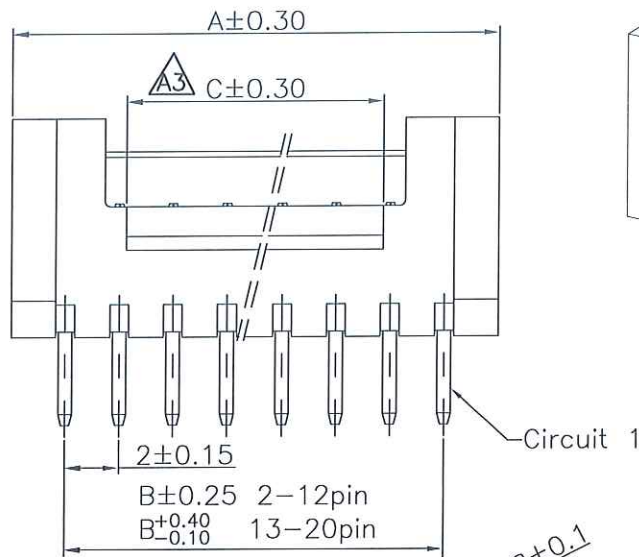
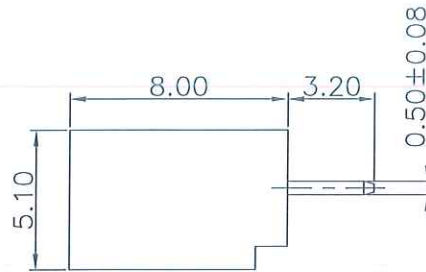
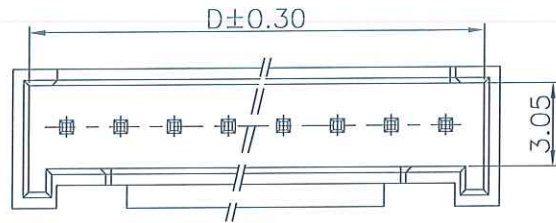
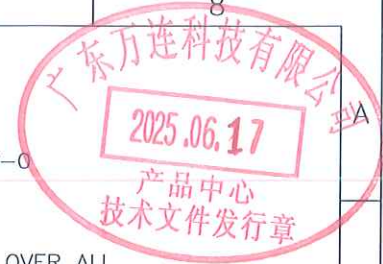
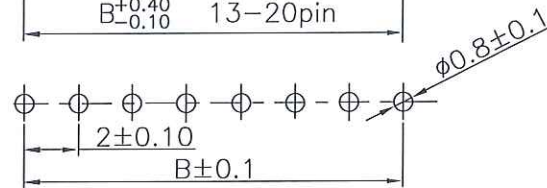


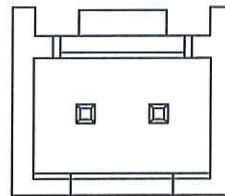
The product using material and processing must conform to the "WI-PZ-001"HSF technical standard control requirements



3D VIEW



PCB LAYOUT



2~3P

NOTE:

- 1.MATERIAL SPECIFICATION:
 - 1-1.HOUSING: PA66,UL94V-0
 - 1-2.CONTACTS: BRASS
- 2.PLATING SPECIFICATION:
 - 2-1.CONTACTS: TIN/GOLD FLASH PLATED OVER ALL.
- 3.ELECTRICAL PERFORMANCE:
 - 3-1.CURRENT RATING: 2A AC/DC
 - 3-2.CONTACT RESISTANCE: 20 mΩ MAX
 - 3-3.INSULATION RESISTANCE: 1000MΩ Min
 - 3-4.DIELECTRIC WITHSTANDING : 1000V
- 4.ENVIRONMENTAL PERFORMANCE: -25°C~+85°C.(低温料)
OPERATING TEMPERATURE: -40°C~+105°C.(高温料)
- 5.PACKAGE SPEC:PE BAG
- 6.P/N:

A2 A2008 W 0-1 XX 1 X X 0

- SERIES NO: _____ COLOR: _____
 CONNECTOR: _____ W-WAFER _____ COLOR: _____
 ANGLE: _____ PLATING: _____
 0-180~ _____ A-ALL AU G/F
 ROW NO: _____ C-BRIGHT TIN
 1-SINGLE ROW _____ F-ALL AU 5u"
 PIN Q'PY: _____ TERMIPOINT: _____
 02~16 _____ 1-DIP

Circuits	Dimensions(mm)				Circuits	Dimensions(mm)			
	A	B	C	D		A	B	C	D
02	6.00	---	2.50	4.90	12	26.00	22.00	20.50	24.90
03	8.00	4.00	3.25	6.90	13	28.00	24.00	22.50	26.90
04	10.00	6.00	4.50	8.90	14	30.00	26.00	24.50	28.90
05	12.00	8.00	6.50	10.90	15	32.00	28.00	26.50	30.90
06	14.00	10.00	8.50	12.90	16	34.00	30.00	28.50	32.90
07	16.00	12.00	10.50	14.90	17	36.00	32.00	30.50	34.90
08	18.00	14.00	12.50	16.90	18	38.00	34.00	32.50	36.90
09	20.00	16.00	14.50	18.90	19	40.00	36.00	34.50	38.90
10	22.00	18.00	16.50	20.90	20	42.00	38.00	36.50	40.90
11	24.00	20.00	18.50	22.90					

REV.	REVISION RECORD	DATE	GENERAL TOLERANCES	SCALE:	NAME	DATE	PART.NO:	DWG.NO:
A0	NEW RELEASE	21.11.17	LINEAR	1:1			A2008W0-1XX1XX0	ENDE05
A1	Modify the size according to the real thing	23.04.27	0.0±0.35	APPROVED	李永辉	25.06.17		
A2	PART NUMBER RENEWAL	23.09.18	X'REF±6'	DESIGNER	李永辉	25.06.17		
A3	UPDATE THE SIZE OF THE 3P CLASP	25.06.17	X'±3'	DRAWN	黄晓娟	25.06.17	TITLE: Pitch 2.0mm 180°HIV单排立插 Wafer	
			X'X' ±2'					REV: A3 SHEET: 1/1



WanLian Technology Co., Ltd