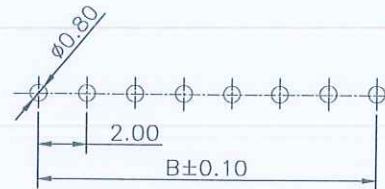
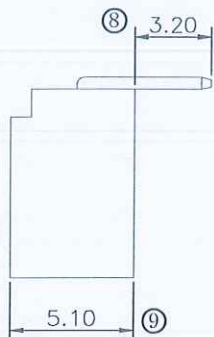
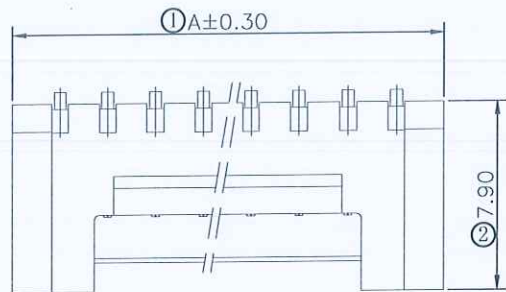
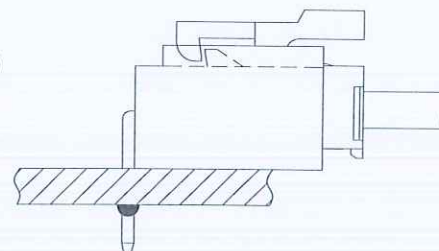


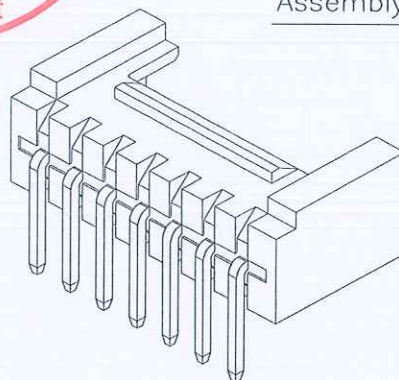
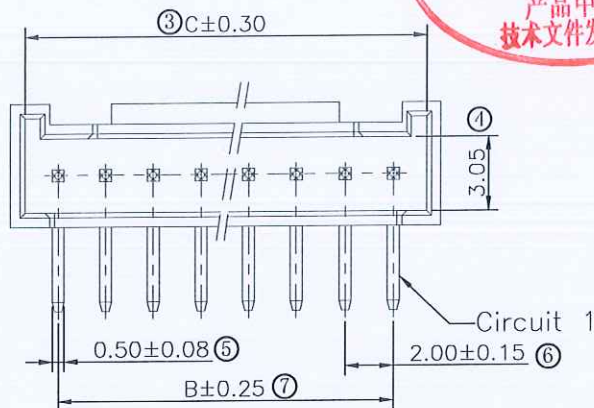
The product using material and processing must conform to the "WI-PZ-001"HSF technical standard control requirements



RECOMMENDED PCB LAYOUT  
(GENERAL TOLERANCE:±0.05)



Assembly LAYOUT



3D VIEW

NOTE:

- MATERIAL SPECIFICATION:
  - HOUSING: PA66,UL94V-0
  - CONTACTS: BRASS
- PLATING SPECIFICATION:
  - CONTACTS: TIN/GOLD FLASH PLATED OVER ALL.
- ELECTRICAL PERFORMANCE:
  - CURRENT RATING: 2A AC/DC
  - CONTACT RESISTANCE: 20 mΩ MAX
  - INSULATION RESISTANCE: 1000MΩ Min
  - DIELECTRIC WITHSTANDING : 1000V
- ENVIRONMENTAL PERFORMANCE:
  - OPERATING TEMPERATURE: -25°C~+85°C.
- PACKAGE SPEC:PE BAG
- P/N:



A2008 W 9-1 XX 1 X X 0  
 SERIES NO:  
 CONNECTOR:  
 W-WAFER  
 ANGLE:  
 9-90°  
 ROW NO:  
 1-SINGLE ROW  
 PIN Q'PY:  
 02~16  
 COLOR:  
 A-BLACK ROHS+HF  
 M-BEIGE(高温料) ROHS  
 S-NATURE ROHS+HF  
 PLATING:  
 A-ALL AU G/F  
 C-BRIGHT TIN  
 D-MATTE TIN  
 TERMPIENT:  
 1-DIP

Circuits	Dimensions(mm)			Circuits	Dimensions(mm)		
	A	B	C		A	B	C
02	6.00	---	4.90	12	26.00	22.00	24.90
03	8.00	4.00	6.90	13	28.00	24.00	26.90
04	10.00	6.00	8.90	14	30.00	26.00	28.90
05	12.00	8.00	10.90	15	32.00	28.00	30.90
06	14.00	10.00	12.90	16	34.00	30.00	32.90
07	16.00	12.00	14.90	17	36.00	32.00	34.90
08	18.00	14.00	16.90	18	38.00	34.00	36.90
09	20.00	16.00	18.90	19	40.00	36.00	38.90
10	22.00	18.00	20.90	20	42.00	38.00	40.90
11	24.00	20.00	22.90				



REV.	REVISION RECORD	DATE	UNIT	GENERAL TOLERANCES	SCALE:	NAME	DATE	PART.NO:	DWG.NO:	WanLian Technology Co., Ltd
A0	NEW RELEASE	21.11.17	mm	LINEAR: 0.0±0.35	1:1	李生	26.2.2	A2008W9-1XX1XX0	ENDE05	
A2	Modify the size according to the real thing	23.06.02	mm	ANGLES: X°REF±6°		李生	26.02.02	Pitch 2.0mm 90°IIY单排卧插 Wafer PA66		
A3	Modify the size according to the real thing	23.08.12	mm	X'±3°		李生	26.02.02			
A4	PART NUMBER RENEWAL	26.02.02	mm	X'X' ±2°		李生	26.02.02			



WanLian Technology Co., Ltd

REV: A4 SHEET: 1/1