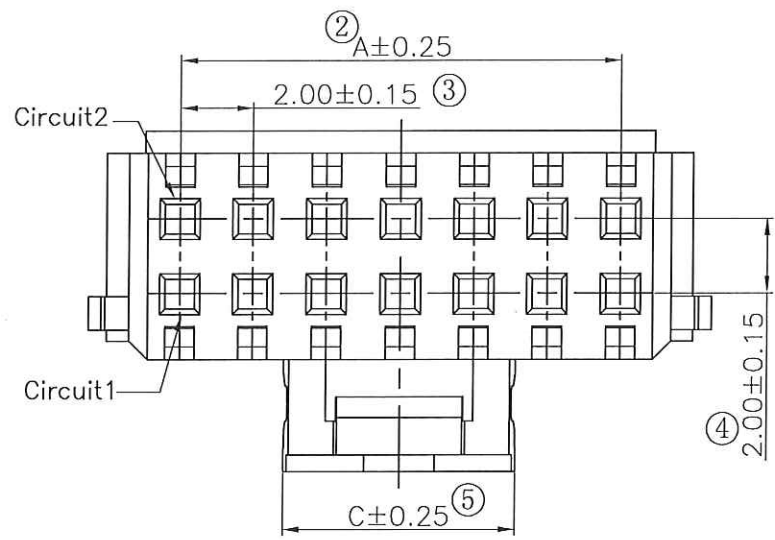
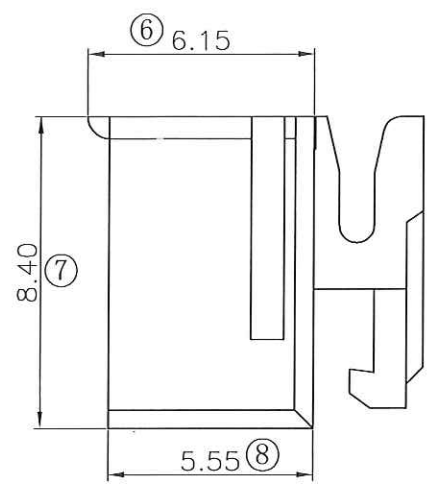
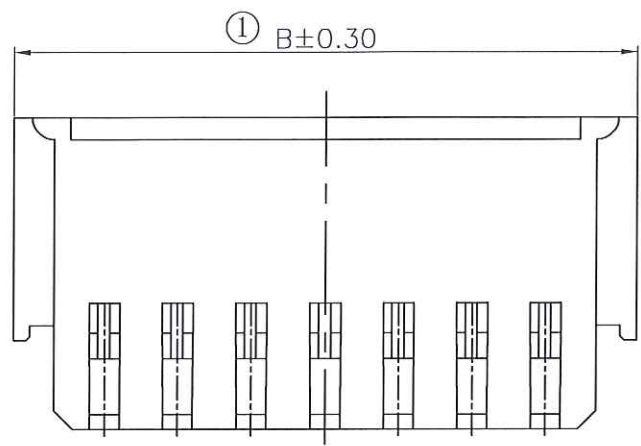


The product using material and processing must conform to the "WI-PZ-001"HSF technical standard control requirements

RoHS



NOTE:
 1.MATERIAL SPECIFICATION:
 1-1.HOUSING: PA66,UL94V-0
 2.ELECTRICAL PERFORMANCE:
 2-1.INSULATION RESISTANCE: 1000MΩ Min
 2-2.DIELECTRIC WITHSTANDING : 1000V AC
 3.ENVIRONMENTAL PERFORMANCE:
 3-1.OPERATING TEMPERATURE: -25°C~+85°C.
 4.PACKAGE SPEC: PE BAG
 5.P/N:

A2009 H M-2 XX X 0
 SERIES NO: _____ COLOR: S-NATURE
 CONNECTOR: _____ PIN Q'PY: 04~30
 H-HOUSING _____ ROW NO: 2-DOUBLE ROW
 MALE FEMALE: _____
 M-MALE _____

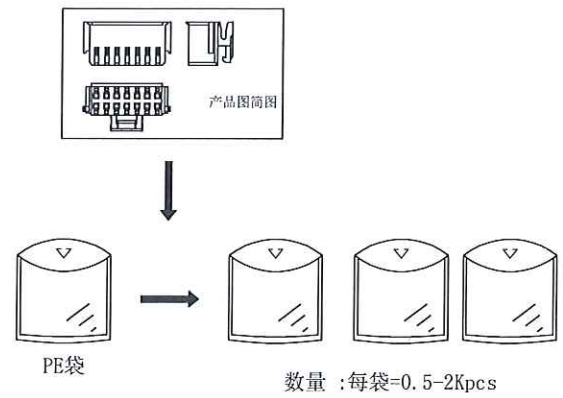


Circuit	Dimensions(mm)			Circuit	Dimensions(mm)		
	A	B	C		A	B	C
2*02	--	7.00	2.90	2*09	16.00	21.00	14.30
2*03	4.00	9.00	3.10	2*10	18.00	23.00	14.30
2*04	6.00	11.00	4.30	2*11	20.00	25.00	14.30
2*05	8.00	13.00	6.30	2*12	22.00	27.00	14.30
2*06	10.00	15.00	8.30	2*13	24.00	29.00	14.30
2*07	12.00	17.00	6.30	2*14	26.00	31.00	14.30
2*08	14.00	19.00	8.30	2*15	28.00	33.00	14.30

REV.	REVISION RECORD	DATE	UNIT: mm	GENERAL TOLERANCES	SCALE: 1:1	NAME	DATE	PART.NO:	DWG.NO:	WanLian Technology Co., Ltd
A0	NEW RELEASE			LINEAR: 0.0±0.35		梁材和	2024.6.7	A2009HM-2XXX0	ENDE05	
				ANGLES: X'REF±6'		梁材和	2024.6.7			
				X'±3'		陈雨春	2024.6.7			
				X*X'±2'						
TITLE: Pitch 2.0mm 180° MALE DOUBLE HOUSING								REV: A0	SHEET: 1/2	

The product using material and processing must conform to the "WI-PZ-001"HSF technical standard control requirements

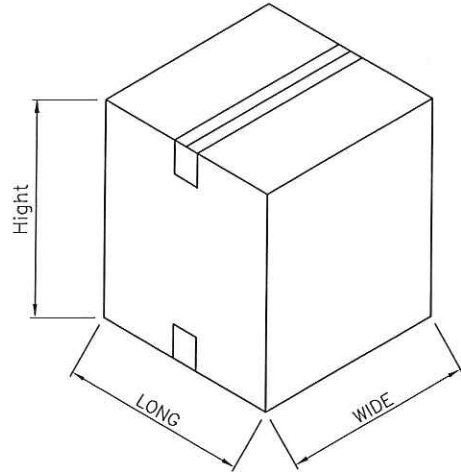
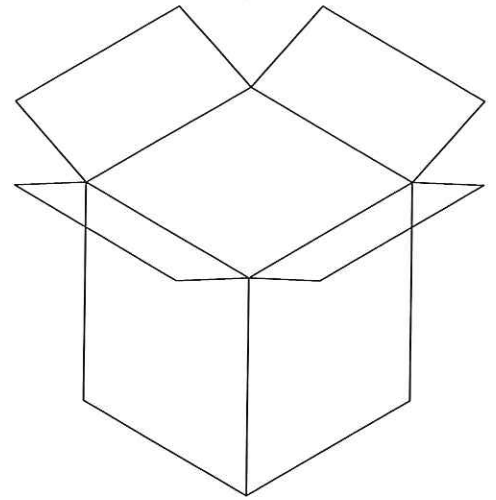
RoHS



- 备注:
1. 纸箱装箱以不超过装箱线为准, 空余位置用塑料泡沫及保尼龙填充;
 2. 纸箱分小、中、标准型、大4种规格型号: 装箱为整箱(左下包装量)采用大型纸箱包装, 未达到整箱数量以产品量适当采用小型、中型或标准型纸箱包装;
 3. 因生产Pin位未齐全, 每袋与整箱包装数量仅供参考, 具体包装数量以实际出货为准, 或批量出货更新后为准;



纸箱型号 Carton Type	小型 Small Size	中型 Medium	标准型 Standard	大型 Large
长度 Long(CM)	35	35	35	46
宽度 Wide(CM)	35	35	35	46
高度 Hight(CM)	7.5	15	32	46



Circuit	每袋包装 数量	Circuit	每袋包装 数量
	PCS/BAG		PCS/BAG
2*02	2000	2*09	1000
2*03	2000	2*10	1000
2*04	2000	2*11	500
2*05	2000	2*12	500
2*06	1000	2*13	500
2*07	1000	2*14	500
2*08	1000	2*15	500

REV.	REVISION RECORD	DATE	UNIT:mm	GENERAL TOLERANCES		SCALE: 1:1	NAME	DATE	PART.NO:	DWG.NO:	WanLian Technology Co., Ltd
AO	NEW RELEASE			SIZE: A4	LINEAR	ANGLES	APPROVED	梁林权	2024.6.7	A2009HM-2XXX0	
				0.0±0.35	X'REF±6'	CHECK	梁林权	2024.6.7	TITLE: Pitch 2.0mm 180° MALE DOUBLE HOUSING		REV: AO
				0.00±0.25	X'±3'	DRAWN	肖雨羲	2024.6.7			SHEET: 2/2
				0.000±0.10	X*X'±2'						